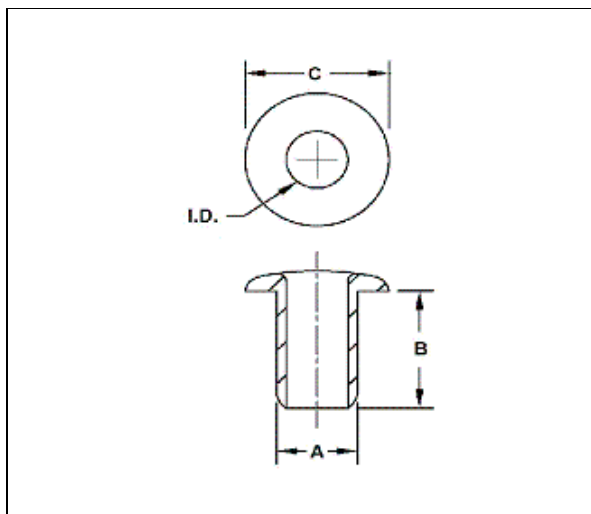


## Wide Roll Eyelets

For popular PC board and electronic assembly applications



| CAT NO. | "A" BARREL O.D. | BARREL I.D. | "B" LENGTH UNDER FLANGE | "C" FLANGE DIAMETER | HOLE SIZE of MATERIAL TO BE EYELETED |
|---------|-----------------|-------------|-------------------------|---------------------|--------------------------------------|
| 22      | .059 [1.49]     | .045 [1.14] | .062 [1.57]             | .105 [2.7]          | .062 [1.57] USE DRILL #51            |
| 23      |                 |             | .093 [2.36]             |                     |                                      |
| 24      |                 |             | .125 [3.18]             |                     |                                      |
| 25      |                 |             | .156 [3.96]             |                     |                                      |
| 26      |                 |             | .187 [4.75]             |                     |                                      |
| 27      |                 |             | .219 [5.56]             |                     |                                      |
| 33      | .089 [2.26]     | .070 [1.78] | .093 [2.36]             | .150 [3.8]          | .093 [2.36] USE DRILL #42            |
| 34      |                 |             | .125 [3.18]             |                     |                                      |
| 35      |                 |             | .156 [3.96]             |                     |                                      |
| 36      |                 |             | .187 [4.75]             |                     |                                      |
| 37      |                 |             | .219 [5.56]             |                     |                                      |
| 43      | .121 [3.07]     | .102 [2.59] | .093 [2.36]             | .200 [5.1]          | .125 [3.18] USE DRILL #30            |
| 44      |                 |             | .125 [3.18]             |                     |                                      |
| 45      |                 |             | .156 [3.96]             |                     |                                      |
| 46      |                 |             | .187 [4.75]             |                     |                                      |
| 47      |                 |             | .219 [5.56]             |                     |                                      |
| 48      |                 |             | .250 [6.35]             |                     |                                      |

Eyelet Staking Tool:

| Cat. No.    | Description       | Eyelet Part Numbers |
|-------------|-------------------|---------------------|
| <b>3075</b> | For 1/16" Eyelets | # 22 - 27           |
| <b>3076</b> | For 3/32" Eyelets | # 33 - 37           |
| <b>3077</b> | For 1/8" Eyelets  | # 43 - 48           |