

For use with TO-220 packages

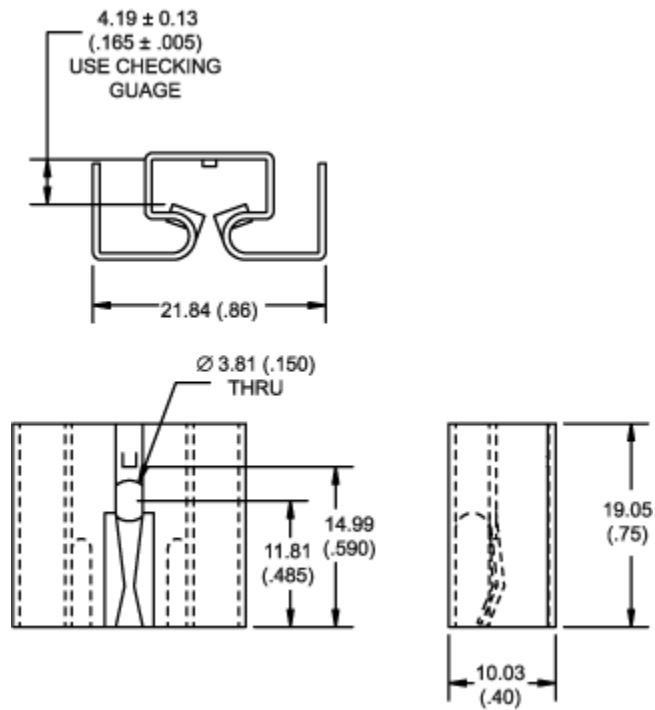
Part Number - 574502B00000G

RoHS 
Compliant

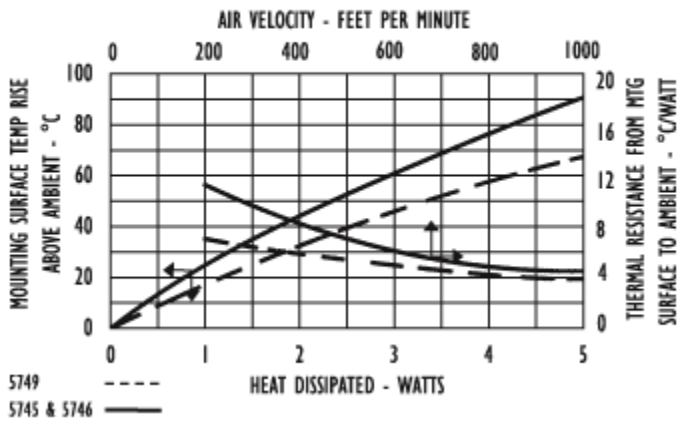
Product
Change
Notice 



Mechanical Outline Drawing



Thermal Curves



Thermal Resistance	21.20
---------------------------	-------

Thermal resistance value is based on a 75°C rise in natural convection

Product Information

Part #	Description	Finish	Board Mounting
574502B00000G	Low cost labor saving slide on heat sink featuring spring action	Black Anodize	N/A

This non-electronic component is functionally unaffected by the normal soldering or reflow processes used for semiconductor circuits. The heat resistance time or heat resistance temperature is not applicable for the component.