



### Quick Reference

Search by part #

Check distributor part inventory

Stock Check

CLICK HERE!

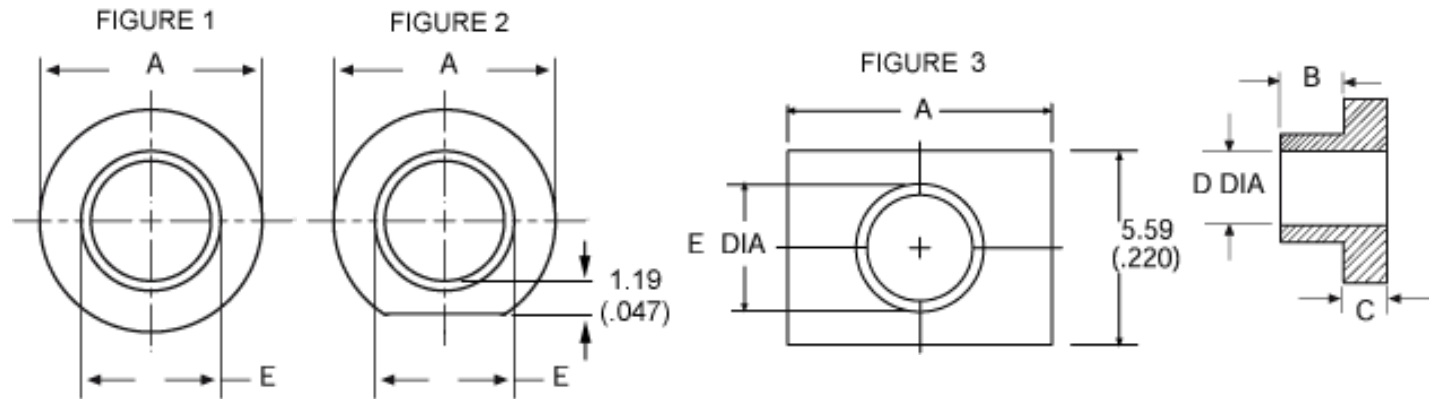
### Products

Browse Heat sinks

## Insulating Shoulder Washers

RoHS Compliant

- 40% glass filled polyphenylene sulfide (PPS).
- Chemically inert [no known solvents under 200°C (392°F)]
- Maximum recommended service temperature of 260°C (500°F)
- Recommended torque is .565Nm to .678Nm (5 to 6 inch-pounds) on all shoulder washers except -7, which has recommended torque of .452Nm (4 inch-pounds).



## Polyphenylene Sulfide PPS Shoulder Washers

Note: A single gate extension, not to exceed .64mm (.025") in length, is allowable on the outside of all shoulder washers.

### Useful Links

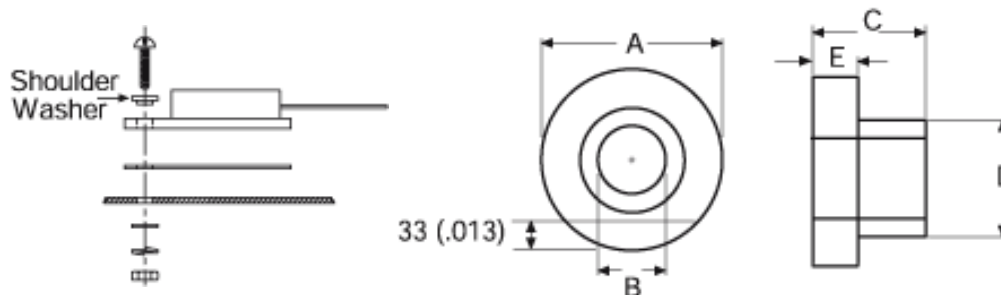
- [MSDS Safety Sheets](#)
- [How to order?](#)
- [Find Sales Rep](#)
- [Find Distributor](#)
- [Sample Request](#)
- [Quote Request](#)
- [Catalog Request](#)
- [Building a part #](#)
- [Part # Cross Ref](#)

Model	RoHS	PCN	A	B	C	D	E	Screw Size	Fig.
7721-1PPS	RoHS  Compliant	N/A	7.11 (.280)	3.18 (.125)	1.07 (.042)	2.84 (.112)	3.81 (.150)	4	1
7721-3PPS	RoHS  Compliant	N/A	7.11 (.280)	3.18 (.125)	1.07 (.042)	2.84 (.112)	3.56 (.140)	4	1
7721-4PPS	RoHS  Compliant	N/A	7.92 (.312)	.79 (.081)	1.19 (.047)	3.71 (.146)	4.83 (.190)	6	1
7721-5PPS	RoHS  Compliant	N/A	7.92 (.312)	.79 (.031)	1.19 (.047)	3.66 (.144)	4.50 (.177)	6	1
7721-6PPS	RoHS  Compliant	N/A	7.11 (.280)	.79 (.031)	1.19 (.047)	3.00 (.118)	3.68 (.145)	4	1
7721-7PPSG*	RoHS  Compliant		5.46 (.215)	.81 (.032)	1.02 (.040)	2.95 (.116)	3.43 (.139)	4	1
7721-8PPS	RoHS  Compliant	N/A	6.22 (.245)	1.02 (.040)	1.02 (.040)	3.02 (.119)	3.56 (.140)	4	2
7721-9PPS	RoHS  Compliant	N/A	7.62 (.300)	1.22 (.048)	1.40 (.055)	2.97 (.117)	3.56 (.140)	4**	3
7721-10PPS	RoHS  Compliant	N/A	7.62 (.300)	2.41 (.095)	1.40 (.055)	2.97 (.117)	3.56 (.140)	4**	3

\* Design allows insertion in the tab of a TO-220.

\*\* Also for M3 Screw

## Nylon Shoulder Washers RoHS Compliant



<b>Model</b>	<b>A</b>	<b>B</b>	<b>C</b>	<b>D</b>	<b>E</b>
7721-11N Formerly Motorola p/n B51547F003	7.80 / 8.05 (.307 / .317)	2.87 / 3.00 (.113 / .118)	3.56 / 3.81 (.140 / .150)	3.76 / 3.89 (1.48 / 1.53)	1.09 / 1.35 (.043 / .053)
7721-12N Formerly Motorola p/n B51547F005	9.40 / 9.65 (.370 / .380)	3.84 / 4.09 (.151 / .161)	2.16 / 2.41 (.085 / .095)	6.10 / 6.35 (.240 / .250)	1.02 / 1.27 (.040 / .050)
7721-13N Formerly Motorola p/n B51547F011	5.89 / 6.05 (.232 / .238)	2.87 / 3.00 (.113 / .118)	4.11 / 4.45 (.162 / .175)	3.43 / 3.56 (.135 / .140)	1.19 / 1.40 (.047 / .055)
7721-14N Formerly Motorola p/n B51547F018	6.40 / 6.60 (.252 / .260)	2.90 / 3.10 (.114 / .122)	2.69 / 2.90 (.106 / .114)	3.89 / 4.09 (.153 / .161)	
7721-15N Formerly Motorola p/n B51547F019	5.59 / 6.10 (.220 / .240)	2.90 / 2.95 (.114 / .116)	1.73 / 1.91 (.068 / .075)	3.43 / 3.58 (.135 / .141)	.51 / .64 (.020 / .025)

[Home](#) • [Aavid's Family of Companies](#) • [Sitemap](#)  
[Disclaimer Statement](#) • ©2005 Aavid Thermalloy, LLC