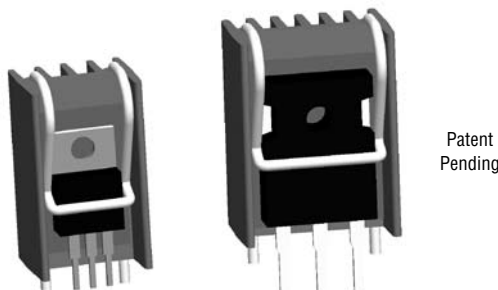
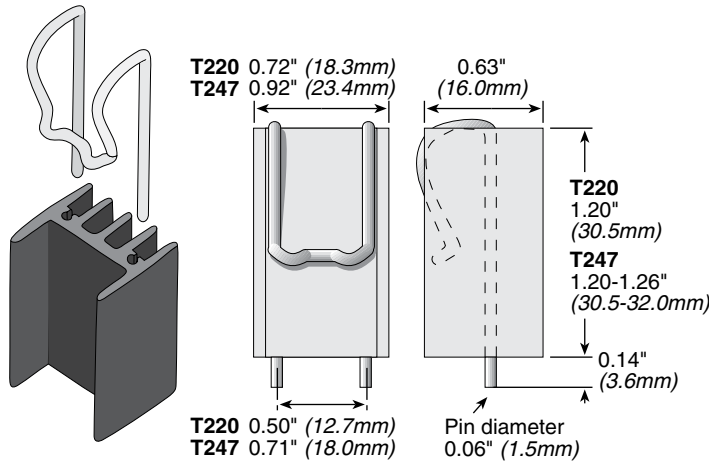


W Series Heatsinks

For TO-220 and TO-247 devices

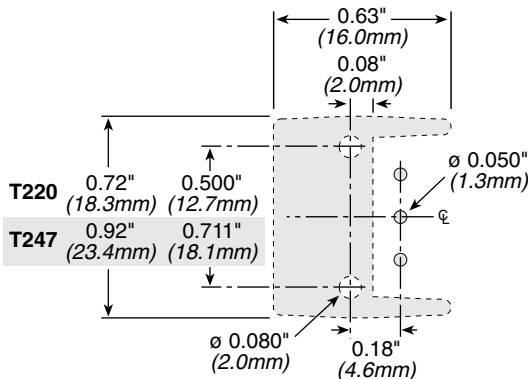


WA- or WV-T220-101E WA- or WV-T247-101E

Heatsink Part Number	For Package Type	Ohmite Resistor Series	Surface Area (in ²)	Weight	Thermal Resistance*
WA-T220-101E	TO-220	TB25, TCH35	6.5	0.35 oz/10g	R _{s-a} =10°C/W
WV-T220-101E	TO-220	TB25, TCH35	6.5	0.35 oz/10g	R _{s-a} =13°C/W
WA-T247-101E	TO-247	TEH70, TEH100	8.4	0.42 oz/12g	R _{s-a} =7°C/W
WV-T247-101E	TO-247	TEH70, TEH100	8.4	0.42 oz/12g	R _{s-a} =9°C/W

*Natural convection

LAND PATTERN



STANDARD PART NUMBERS FOR W SERIES

Part Number	Description	Packaging
WA-T220-101E	Heat sink for TO-220, black anodized	Bulk
WV-T220-101E	Heat sink for TO-220, degreased	Bulk
WA-T247-101E	Heat sink for TO-247, black anodized	Bulk
WV-T247-101E	Heat sink for TO-247, degreased	Bulk

The unique design (patent pending) of the W Series heat sinks combines a tin plated, solderable, integral spring clip with an extruded aluminum heat sink body for an all-in-one solution to through-hole mounting of TO-220 or TO-247 packages. These self-aligning heat sinks feature solderable feet and an integrated clip with 13.2 (lbf) of force on the center of the device to enhance thermal performance.

FEATURES

Reduced Assembly Cost: spring clip and auto-align feature makes fasteners and fixtures obsolete, along with stray metal filings from tapped holes

Maximum Repeatability: clamping force of the spring clip is not degraded by repeated loading and unloading

Maximum Heat Transfer per Unit Space: maximum surface area per unit volume and consistent mounting force reduces thermal resistance

Maximum Resistance to Shock and Vibration: light weight, resilient spring clip locks the component in place and is highly resistant to shock and vibration

Maximum Reliability: helps prevent short circuits by eliminating metal particles from thread tapping

SPECIFICATIONS

Heat Sink: Aluminum alloy 6063-T5 or equivalent.

Spring Clip: Music wire, per ASTM A228

Pin: Solderable 100% tin over copper strike

Insulator: (optional) Sil-pad 900-S, K6 800-S, and K10, or equivalent

Mounting: Vertical thru-hole mount

Suggested Sil Pad: Sil-Pad 900S (Manufactured by Bergquist)

Clip Force: 13.2 lbf.

HEAT DISSIPATION

