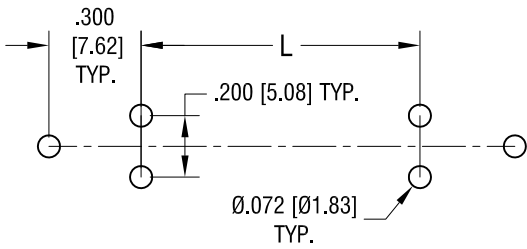


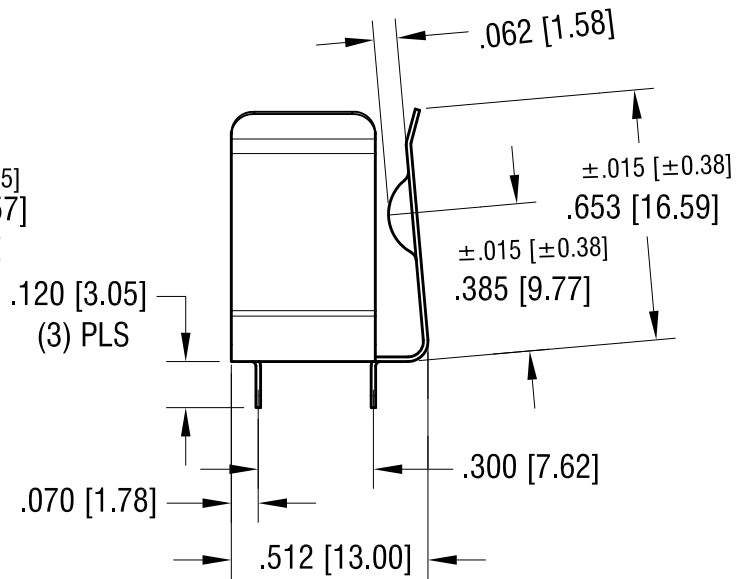
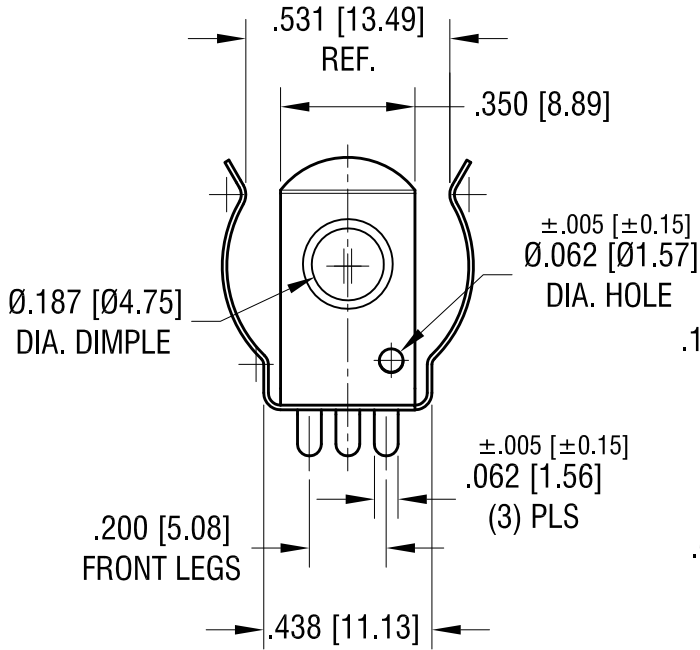
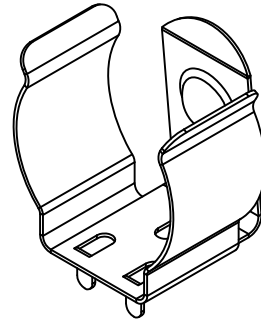
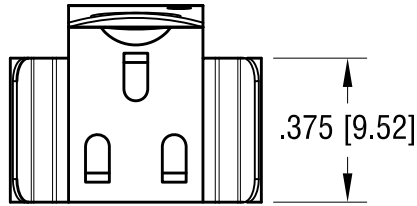
THIS DOCUMENT IS THE PROPERTY OF KEYSTONE ELECTRONICS CORP. AND SHALL NOT BE REPRODUCED, DISTRIBUTED OR USED AS A BASIS FOR MANUFACTURE WITHOUT PRIOR WRITTEN PERMISSION FROM KEYSTONE ELECTRONICS CORP.

MOUNTING LAYOUT



CELL SIZE	"L" DIMENSION
18650 *	1.890 [48.00]
CR123A	.570 [14.50]

* FOR BATTERIES WITH BUILT-IN CIRCUIT PROTECTION



NOTE:
1. HEAT TREAT TO SPRING TEMPER

PCB PROTECTION CIRCUITS ARE REQUIRED WHEN USED WITH LITHIUM-ION BATTERIES

DATE	DESCRIPTION	REV.
2.08.11	CHANGE AS PER ECN 11-011	C
11.9.10	CHANGE AS PER ECN 10-079	B
8.16.10	CHANGE AS PER ECN 10-060	A

KEYSTONE ELECTRONICS CORP.

www.keyelco.com • ASTORIA, N.Y. 11105-2017 • Tel (718) 956-8900

PART NAME			16mm - 19mm PC BATTERY CLIP		
MATERIAL			.012 [0.30] TH'K ANNEALED SPRING STEEL		
FINISH		DRN BY	DATE	APP'D	
TIN NICKEL PLATE		NT	5.04.09	SCALE	
TOLERANCES INCH [MM]		CODE	DWG NO.		
DECIMAL ±.010 [±0.25]		C	54		
ANGULAR ± 1°		UNLESS OTHERWISE SPECIFIED			