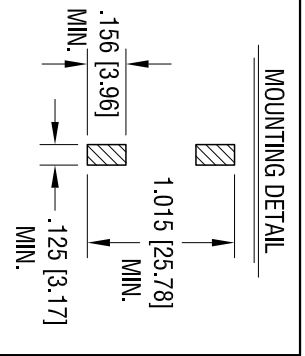
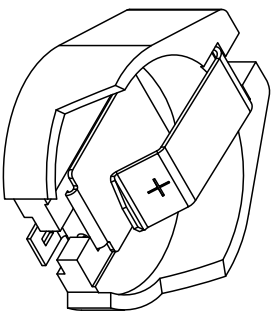
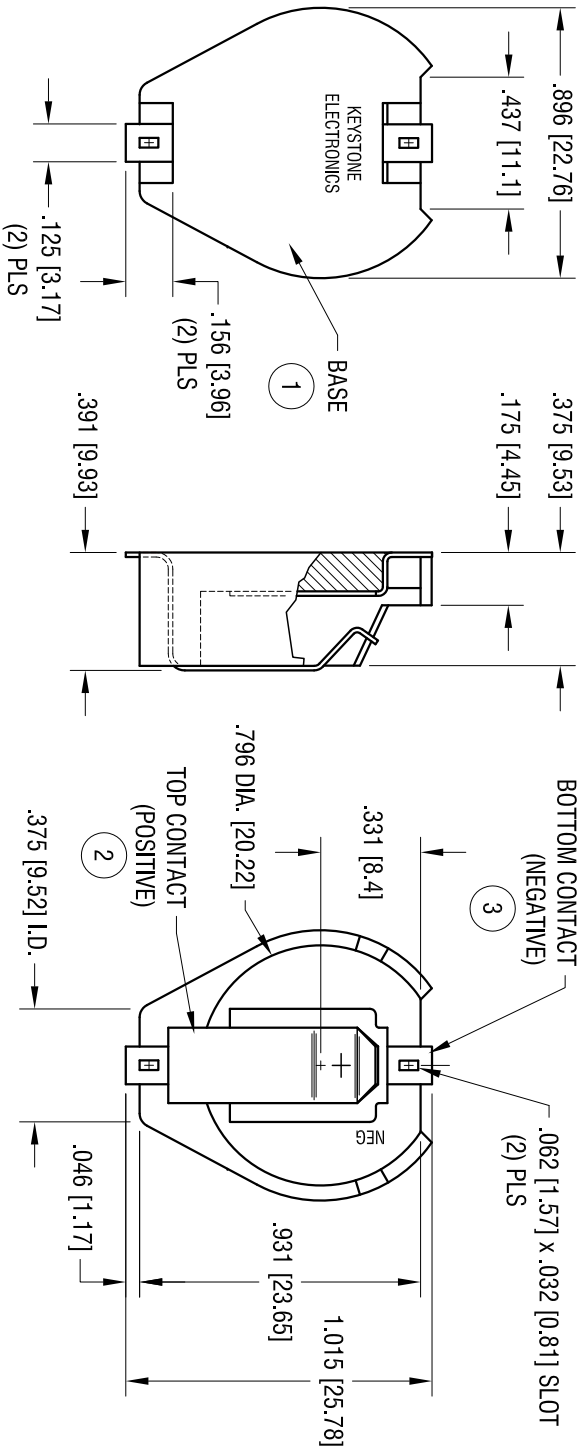


DATE	DESCRIPTION	REV.



ITEM	DESCRIPTION	MATERIAL/FINISH
1	BASE BLACK	HIGH TEMPERATURE NYLON (UL 94V-0)
2	TOP CONTACT	SPRING STEEL .015 [0.38] THK
3	BOTTOM CONTACT	GOLD FLASH PLATE

THIS DOCUMENT IS THE PROPERTY OF KEYSTONE ELECTRONICS CORP. AND SHALL NOT BE REPRODUCED, DISTRIBUTED OR USED IN ANY MANNER WITHOUT WRITTEN PERMISSION FROM KEYSTONE ELECTRONICS CORP.

KEYSTONE ELECTRONICS CORP.	
www.keyston.com • ASTORIA, N.Y. 11105-2017 • Tel (718) 956-8900	
PART NAME DUAL 20mm BATTERY HOLDER, SMT	
MATERIAL AS NOTED	
FINISH AS NOTED	
TOLEBRANGES DECIMAL ± .010 [± 0.25]	INCH [MM]
ANGULAR ± 1°	
UNLESS OTHERWISE SPECIFIED	
DRN BY NT	DATE 3.19.09
APPD	SCALE 2X
CODE C	DWG NO. 1082