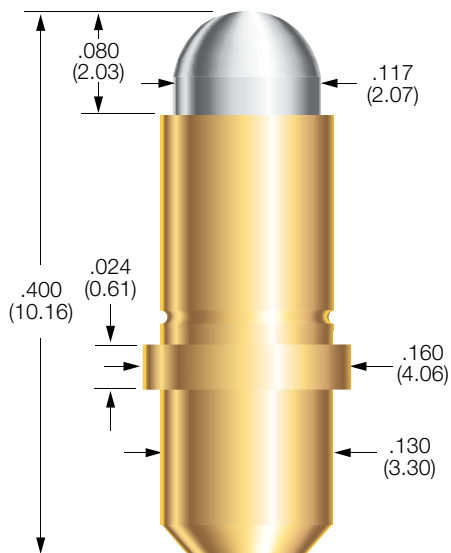
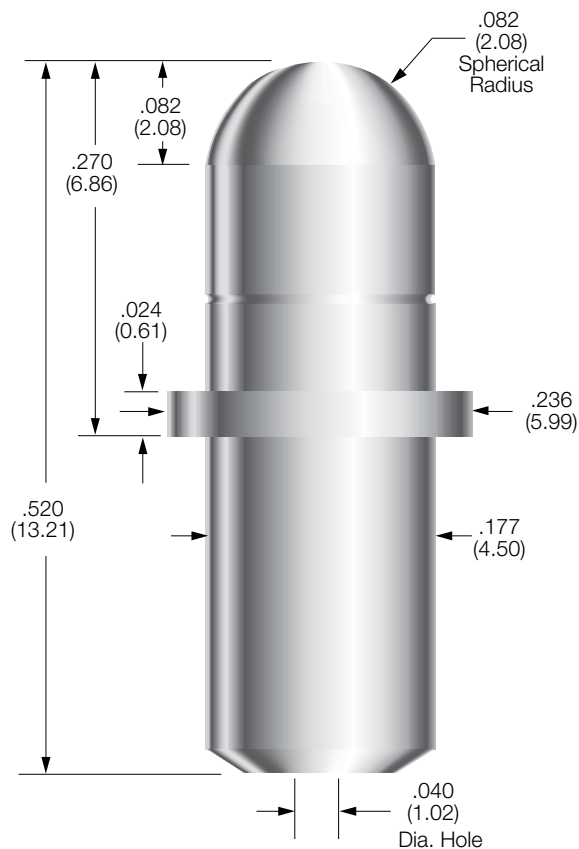


# Battery and Connector Probes

## 101402 PROBE



## 100804 PROBE



### PROBE SPECIFICATIONS

**Minimum Centers:** .175 (4.45)  
**Current Rating:** 20 amps continuous  
 (Individual probe in free air @ ambient temperature)  
**Spring Force:** 9.7 oz. (275g) @ .050 (1.27) travel  
**Typical Resistance:** < 10 mΩ  
**Maximum Travel:** .080 (2.03)  
**Working Travel:** .050 (1.27)

### MATERIALS

**Barrel:** Nickel silver, gold plated  
**Spring:** Stainless steel, passivated  
**Plunger:** Brass, Duralloy™

### PROBE SPECIFICATIONS

**Minimum Centers:** .250 (6.35)  
**Current Rating:** 30 amps continuous  
 (Individual probe in free air @ ambient temperature)  
**Spring Force:** 8.9 oz. (252g) @ .054 (1.37) travel  
**Typical Resistance:** < 5 mΩ  
**Maximum Travel:** .082 (2.08)  
**Working Travel:** .054 (1.37)

### MATERIALS

**Barrel:** Brass, Duralloy™ plated  
**Spring:** Stainless steel, passivated  
**Plunger:** Brass, Duralloy™ plated

## HOW TO ORDER

101402-000

## HOW TO ORDER

100804-002

Specifications subject to change without notice. Dimensions in inches (millimeters)