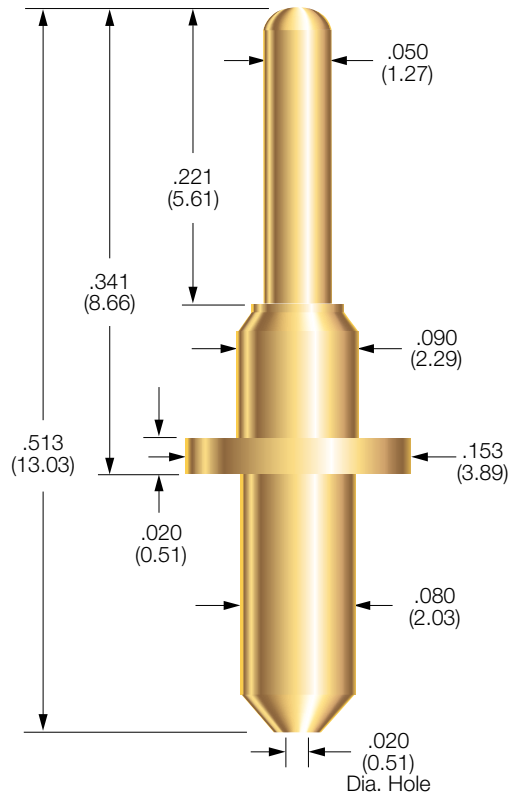
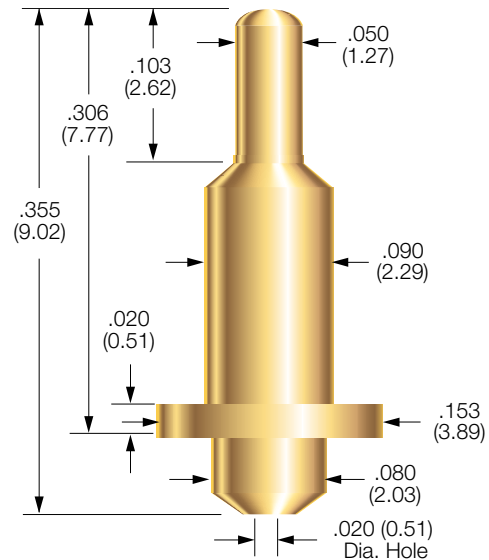


# Battery and Connector Probes

## 100606 PROBE



## 100891 PROBE



### PROBE SPECIFICATIONS

**Minimum Centers:** .175 (4.45)  
**Current Rating:** 15 amps continuous  
 (Individual probe in free air @ ambient temperature)  
**Spring Force:** 6.2 oz. (176g) @ .060 (1.52) travel  
**Typical Resistance:** < 10 mΩ  
**Maximum Travel:** .090 (2.29)  
**Working Travel:** .060 (1.52)

### MATERIALS

**Barrel:** Nickel/silver, gold plated  
**Spring:** Stainless steel, passivated  
**Plunger:** Beryllium copper, gold plated  
**Bias Ball:** Stainless steel

### PROBE SPECIFICATIONS

**Minimum Centers:** .175 (4.45)  
**Current Rating:** 15 amps continuous  
 (Individual probe in free air @ ambient temperature)  
**Spring Force:** 9.0 oz. (256g) @ .067 (1.70) travel  
**Typical Resistance:** < 5 mΩ  
**Maximum Travel:** .100 (2.54)  
**Working Travel:** .067 (1.70)

### MATERIALS

**Barrel:** Nickel/silver, gold plated  
**Spring:** Stainless steel, gold plated  
**Plunger:** Beryllium copper, gold plated

## HOW TO ORDER

100606-000

## HOW TO ORDER

100891-002

Specifications subject to change without notice. Dimensions in inches (millimeters)