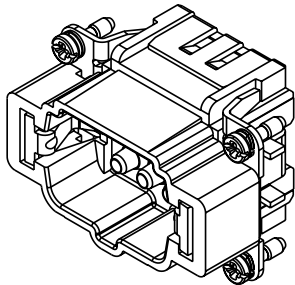
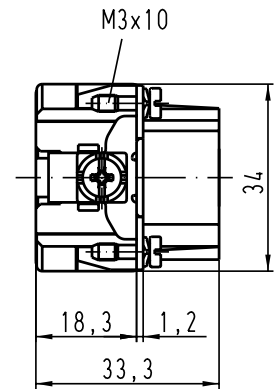
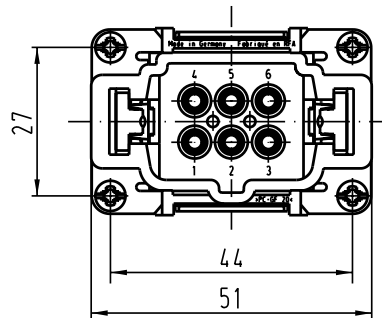
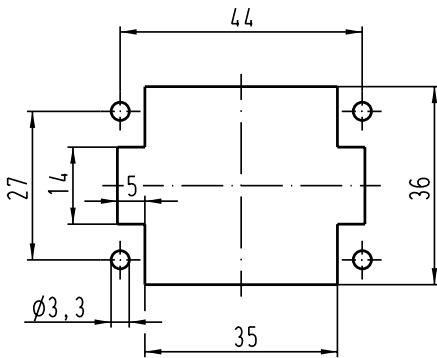


Alle Rechte vorbehalten / All rights reserved

Montageausschnitt/
panel cut out



All Dimensions in mm Original Size DIN A 4			Techn. Character.			Nicht tolerierte Masse / free size tolerances																
				<table border="1"> <tr> <th>Det.</th> <th>20.08.01</th> <th>Name</th> <th>Pa</th> </tr> <tr> <th>Insp.</th> <td></td> <th>Well</th> <td></td> </tr> <tr> <th>Stand.</th> <td></td> <td></td> <td></td> </tr> </table>	Det.	20.08.01	Name	Pa	Insp.		Well		Stand.				<table border="1"> <tr> <th>Massstab / Scale</th> <td>1:1</td> </tr> </table>	Massstab / Scale	1:1	<p style="text-align: center;">Han 6E-M-c Stifteinsatz / male insert</p>		
Det.	20.08.01	Name	Pa																			
Insp.		Well																				
Stand.																						
Massstab / Scale	1:1																					
410526	18.07.03	Ho																				
29662				<p style="text-align: center;">TB 09 33 006 2602</p>			Blatt / page 															
Mod.	Dat.	Name																				
			HARTING Electric GmbH & Co. KG D-32339 Espelkamp			Sub.																