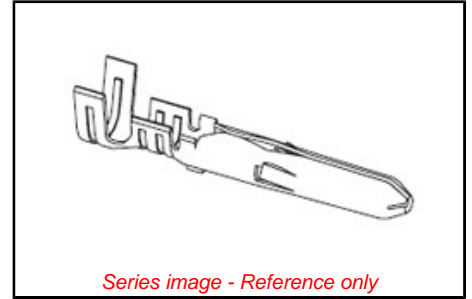


Part Number: [0002062103](#)
Status: **Active**
Overview: [Standard .062"](#)
Description: 1.57mm (.062") Diameter, Standard .062" Pin and Socket Crimp Terminal, Series 1560, Male, with Tin (Sn) Plated Brass Contact, 18-24 AWG, Bag



General

Product Family	Crimp Terminals
Series	1560
Overview	Standard .062"
Product Name	Standard .062"

Physical

Gender	Male
Material - Metal	Brass
Material - Plating Mating	Tin
Material - Plating Termination	Tin
Packaging Type	Bag
Plating min: Mating (µin)	20
Plating min: Mating (µm)	0.50
Plating min: Termination (µin)	20
Plating min: Termination (µm)	0.50
Termination Interface: Style	Crimp or Compression
Wire Insulation Diameter	1.52-3.05mm (.060-.120")
Wire Size AWG	18
Wire Size AWG	20
Wire Size AWG	22
Wire Size AWG	24
Wire Size mm ²	N/A

Material Info

Old Part Number	1560-(P901)L
-----------------	--------------

EU RoHS
ELV and RoHS
Compliant

China RoHS



PART NO.	ENG. NO.
02-06-2101	1560-(P901)
02-06-2103	1560-(P901)L
02-06-6101	1560-(561)
02-06-6102	1560-(561)L
02-06-6118	1560-(228)
02-06-6119	1560-(228)L
02-06-6116	1560-(231)
02-06-6112	1560-(231)L
02-06-6100	1560-(550)
02-06-6103	1560-(550)L
02-06-6105	1560-(591)
02-06-6104	1560-(591)L

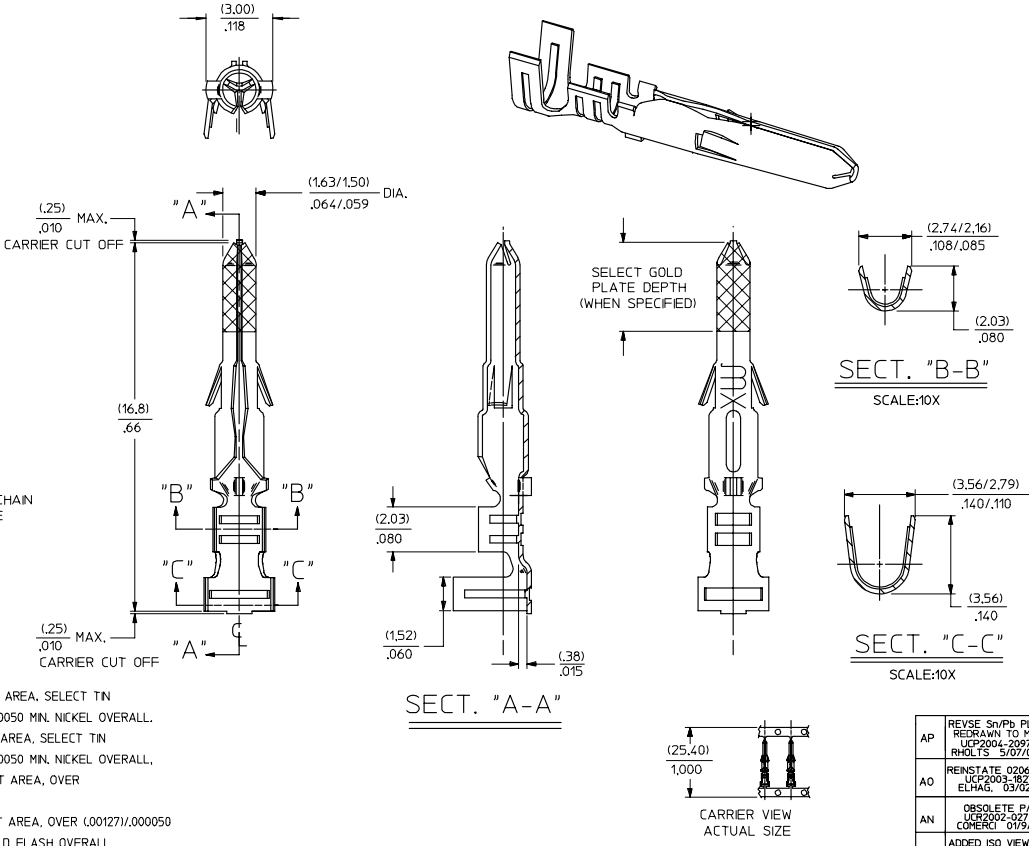
LEGEND

1560-(* * * *)*

P=PREPLATE
 BLANK=POSTPLATE
 FINISH CODE

FORM
 BLANK=CHAIN
 L=LOOSE

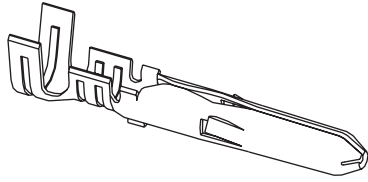
- NOTES:
- MATERIAL: BRASS
 - FINISHES:
 - 901 HOT TIN DIP (.00051)/.000020 MIN.
 - *228 SELECT GOLD PLATE (.00075)/.000030 MIN. IN CONTACT AREA, SELECT TIN (.00250)/.000100 MIN. IN CRIMP AREA OVER (.00125)/.000050 MIN. NICKEL OVERALL.
 - *231 SELECT GOLD PLATE (.00125)/.000050 MIN. IN CONTACT AREA, SELECT TIN (.00250)/.000100 MIN. IN CRIMP AREA OVER (.00125)/.000050 MIN. NICKEL OVERALL.
 - 561 SELECT GOLD PLATE (.00076)/.000030 MIN. IN CONTACT AREA, OVER (.00127)/.000050 MIN. NICKEL OVERALL.
 - 591 SELECT GOLD PLATE (.00127)/.000050 MIN. IN CONTACT AREA, OVER (.00127)/.000050 MIN. NICKEL OVERALL WITH (.000025)/.000010 MAX. GOLD FLASH OVERALL.
 - 550 SELECT GOLD PLATE (.00038)/.000015 MIN. IN CONTACT AREA, OVER (.00076)/.000030 MIN. NICKEL OVERALL WITH (.000025)/.000010 MAX. GOLD FLASH OVERALL.
 - * THE PRIMARY SHIPPING CARTON WILL BE LABELED, 'COMPLIANT TO RoHS DIRECTIVE' 2002/95/EC AND ELV ANNEX II OF DIRECTIVE 2000/53/EC. AND CARTONS WITHOUT THIS LABEL MAY CONTAIN PRODUCT WITH TIN-LEAD.
 - PRODUCT SPECIFICATION: PS-02-06
 - PACKAGING INFORMATION: NOT AVAILABLE
 - TERMINAL FOR USE WITH (.157)/.062 DIA. SERIES HOUSINGS AND WILL ACCEPT 18 THRU 24 AWG WIRE.



REFER TO REVISION BLOCK EC NO. 2002/009/2097 DRAWN: RHOLTS 2004/05/14 CHKD: 2004/05/14 APPR: F SMITH 2004/05/18 REV	QUALITY SYMBOLS 0	GENERAL TOLERANCES (UNLESS SPECIFIED)	SCALE 8:1	DESIGN UNITS INCH	THIRD ANGLE PROJECTION	REVISE ON CAD ONLY
	4 PLACES ± --- ± --- 3 PLACES ± --- ± .010 2 PLACES ± 0.25 ± .014 1 PLACE ± 0.35 ± --- ANGULAR ±1/2°	DIMENSION STYLE IN/MM	DRAWN BY GEP DATE 1987/08/19	CHECKED BY RW DATE 1987/08/19	TITLE CRIMP TERMINAL, MALE .062 DIA. FOR 18-24 AWG WIRE	MATERIAL NO. SEE CHART
DRAFT WHERE APPLICABLE MUST REMAIN WITHIN DIMENSIONS		APPROVED BY RAS DATE 1987/08/19		MOLEX INCORPORATED THIS DRAWING CONTAINS INFORMATION THAT IS PROPRIETARY TO MOLEX INCORPORATED AND SHOULD NOT BE USED WITHOUT WRITTEN PERMISSION		

AP	REVISE Sn/Pb PLATE REDRAWN TO ME10 UCR2004-2097 RHOLTS 5/07/04
AO	REINSTATE 0204/05 UCR2003-1827 ELHAG 03/02/24
AN	OBsolete P/N UCR2002-0270 CORRECT 01/19/25
AM1	ADDED ISO VIEW UCR1998-0248 WANG 98-05-21
AM	REV & REDRAWN PER ECR 03/12 8-9-87 RW

1.57mm (.062") Pin Diameter .062" Pin and Socket Male Terminals Standard .062"



Features and Benefits

- Available in Tin or Gold platings
- Available in Brass or Phosphor Bronze base materials
- Accommodates 18 to 30 gauge wire

Reference Information

Packaging: Bag or reel
UL File No.: E29179
CSA File No.: LR19980
Designed In: Inches

Electrical

Contact Resistance: 3.2 milliohms max.
Current: 5.0 A

Mechanical

Contact Insertion Force: 15.57N max.
Durability: Tin—25 cycles max.
Gold—50 cycles max.

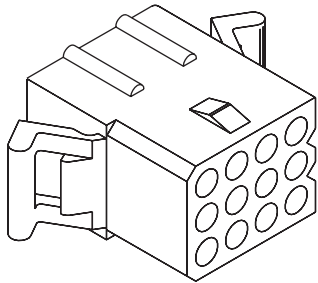
Physical

Contact: Brass or Phosphor Bronze
Plating: Tin or Gold
Operating Temperature: -40 to +105°C

Type	Plating	Crimp Wire Size	Insulation Diameter	Series	Order No.		Lead-free
					Chain	Loose	
Standard Brass .008"	Tin	18-24	1.52/3.05 (.060/.120)	1560	02-06-2101	02-06-2103	Yes
		24-30	1.02/2.29 (.040/.090)	1854	02-06-2131	02-06-2132	
	15µ" Gold	18-24	1.52/3.05 (.060/.120)	1560	02-06-6100	02-06-6103	
		24-30	1.02/2.29 (.040/.090)	1854	02-06-6130	02-06-6135	
	30µ" Gold	18-24	1.52/3.05 (.060/.120)	1560	02-06-6101	02-06-6102	
		24-30	1.02/2.29 (.040/.090)	1854	02-06-6138	02-06-6139	
	30µ" Gold Contact Tin Crimp	18-24	1.52/3.05 (.060/.120)	1560	02-06-6118	02-06-6119	
		24-30	1.02/2.29 (.040/.090)	1854	02-06-6143	02-06-6144	
.008" Phosphor Bronze	Tin	18-24	1.52/3.05 (.060/.120)	1786	02-06-2201	02-06-2202	
	Gold (15µ")	18-24	1.52/3.05 (.060/.120)	1786	02-06-6201	02-06-6202	
.008" PC Tail Brass for Standard .062" Housings Only	Tin			1778	02-06-8103		
	30µ" Gold Tin Tail Area			1778		02-06-6122	

Note: .006 Phosphor Bronze stock recommended for versions 15 circuits and larger

3.68mm (.145") Pitch .062" Pin and Socket Receptacle Standard .062"



Features and Benefits

- Friction lock
- Panel and PCB mountable
- Polarized housing assures proper mating
- Male and female terminals may be used in receptacle housing

Reference Information

Packaging: Bag
UL File No.: E29179
CSA File No.: LR19980
Mates With: Standard .062" plug
Use With: Standard .062" terminal
Designed In: Inches

Electrical

Voltage: 250V
Current: See chart
Dielectric Withstanding Voltage: 1500V AC rms

Mechanical

Contact Retention to Housing: 88.96N min.

Physical

Housing: Nylon, UL 94V-2
Operating Temperature: -40 to +105°C

Circuits	Series	Order No.		Amperes per Circuit
		Panel Mount	Free Hanging	
1	1625	N/A	03-06-1011	5.0
2		03-06-1022	03-06-1023	
3		03-06-1038	03-06-1032	
4 (1 x 4)		03-06-1041	03-06-1042	
4 (2 x 2)	2004	03-06-1043	03-06-1044	
5	1625	03-06-1055	03-06-1056	
6		03-06-1061	03-06-1062	
9		03-06-1091	03-06-1092	
12		03-06-1121	03-06-1122	
15		03-06-6155	03-06-1152	
24		03-06-1241	N/A	
36*		1772	03-06-1361	03-06-1362

* 36-circuit receptacle is on a 4.19mm (.165") pitch

