

English 日本語 한국어 简体中文

Search:  Go

Register | Login  
My Parts ( 0 items )

- Product Name
  - Cross-Ref
  - Catalog
  - Literature
  - Industries
  - Standards
  - Contact Us
  - About Us
  - Investors
  - Careers
- 
- Connectors
  - Sockets
  - I/O Connectors
  - Cable Assemblies
  - Fiber Optics
  - Printed Circuit Products
  - Industrial Products
  - Lighting Products

- Wire-to-Board
- Wire-to-Wire
- Board-to-Board
- Power Connectors
- Backplane Connectors
- FFC/FPC Connectors
- Solderless Terminals
- Terminal Blocks and Barrier Strips
- RF/Microwave/Coax
- Sealed Connectors
- Application Tooling

**Part Number: 0050291758**

**Status: Active**    **Overview: Standard .062"**

**Description:** 1.57mm (.062") Diameter Standard .062" Pin and Socket Receptacle Housing, 4 Circuits, With Pre-bent Mounting Ears

---

**Documents:** [Note - Please disable browser pop-up blockers for documents on www.molex.com](#)  
[Drawing \(PDF\)](#)    [Product Specification PS-02-06 \(PDF\)](#)  
[3D Model](#)    [RoHS Certificate of Compliance \(PDF\)](#)

---

**Order Products:**

Check Distributor Inventory    Add to My Parts    Request Samples  
 Available on MolexKits.com

---

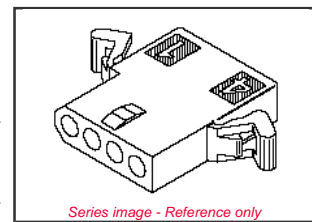
**Part Detail: (show all)**

General    Physical    Electrical    Agency Certification    Material Info

---

**Reference - Drawing Numbers**

<b>General</b>	
Product Family	Crimp Housings
Series	1625
Application	Power
Comments	Polarized to Mating Part
Overview	Standard .062"
Product Name	Standard .062"
<b>Physical</b>	
Breakaway	No
Circuits (maximum)	4
Circuits Detail	1x4
Color - Resin	Natural
Flammability	94V-2
Gender	Receptacle
Glow-Wire Compliant	No
Keying to Mating Part	None
Lock to Mating Part	Yes
Material - Resin	Nylon
Number of Rows	1
Packaging Type	Bag
Panel Mount	Yes
Pitch - Mating Interface	3.68mm (.145")
Pitch - Termination Interface	3.68mm (.145")
Polarized to Mating Part	Yes
Ports	1
Stackable	No
Temperature Range - Operating	-40°C to +105°C
<b>Electrical</b> (Please review the Product Specification for specific details.)	
Current - Maximum per Contact	5A
<b>Agency Certification</b>	
CSA	LR19980
TUV	R72081037
UL	E29179
<b>Material Info</b>	
Old Part Number	1625-4R2
<b>Reference - Drawing Numbers</b>	
Packaging Specification	PK-1625-001, PK-1625-003
Product Specification	PS-02-06
Sales Drawing	SD-1625-4*
Test Summary	TS-1625-001



**EU RoHS**  
ELV and RoHS Compliant

**China RoHS**

**REACH SVHC**  
Contains SVHC: No

**Halogen-Free Status**  
Not Reviewed

**Need more information on product environmental compliance?**

Email [productcompliance@molex.com](mailto:productcompliance@molex.com)

For a multiple part number RoHS Certificate of Compliance, [click here](#)

Please visit the [Contact Us](#) section for any non-product compliance questions.

**Search Parts in this Series**

1625Series

---

**Mates With**

1625 Plug

---

**Use With**

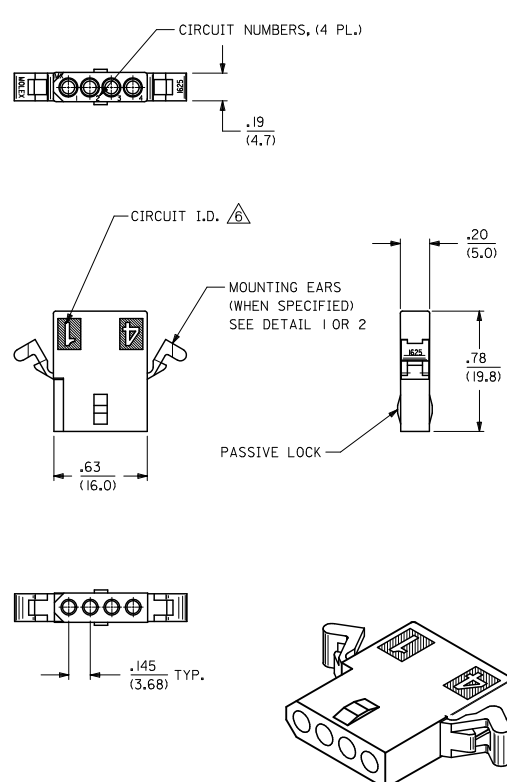
Female Crimp Terminals  
[1561](#) [Link:4559](#) [4529](#) [2190](#) [2189](#) [1787](#) [1855](#)  
 Male Crimp Terminals [1560](#) [1786](#) [1854](#)  
[1778](#) Male PC Tail Terminals  
[1779](#) Female PC Tail Terminals

Feedback Privacy Legal Site Map Help

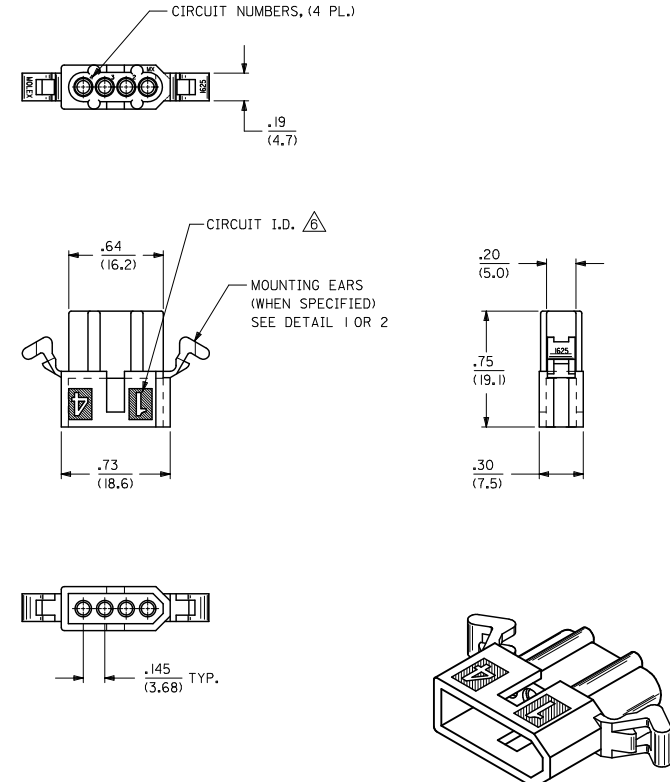
Find us on:

Copyright 2005-2010

13 12 11 10 9 8 7 6 5 4 3 2 1



**RECEPTACLE HOUSING**



**PLUG HOUSING**

2 0 1 0 SHT. REV.	UPDATE REV. LEVEL EC NO. UCP2010-3332 DRW: AELHAG 2010/06/30 CHK: JBELL 2010/06/30 APPR: F SMITH 2010/07/08	QUALITY SYMBOLS $\nabla=0$ $\nabla=0$	GENERAL TOLERANCES (UNLESS SPECIFIED)		DIMENSION STYLE IN/MM		SCALE ---	DESIGN UNITS INCH	$\triangle$ THIRD ANGLE PROJECTION
			4 PLACES ± .00 ± .00 3 PLACES ± .01 ± .01 2 PLACES ± 0.25 ± .014 1 PLACE ± 0.36 ± .005 ANGULAR ± 1°	mm INCH DRAWN BY DATE AELHAG 2010/06/30 CHECKED BY DATE JBELL 2010/06/30 APPROVED BY DATE F SMITH 2010/07/08	TITLE PLUG & RECEPTACLE HOUSINGS, 4 CIRCUIT, .062 DIA., .145 CENTERS	MATERIAL NO. SEE CHART	DOCUMENT NO. SD-1625-4*	SHEET NO. 1 OF 2	
DRAFT WHERE APPLICABLE MUST REMAIN WITHIN DIMENSIONS			SIZE C			THIS DRAWING CONTAINS INFORMATION THAT IS PROPRIETARY TO MOLEX INCORPORATED AND SHOULD NOT BE USED WITHOUT WRITTEN PERMISSION			

PLUG		
PART NO.	ENG. NO.	
03-06-2041	1625-4P	
03-06-7041	1625-4PBK	OBSOLETE
03-06-2042	1625-4P1	
03-06-7042	1625-4P1BK	
NOT TOOLED	1625-4P2	
NOT TOOLED	1625-4P2BK	
	-	
	-	

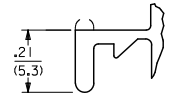
RECEPTACLE		
PART NO.	ENG. NO.	
03-06-1041	1625-4R	
03-06-6041	1625-4RBK	OBSOLETE
03-06-1042	1625-4R1	
03-06-6042	1625-4R1BK	
50-29-1758	1625-4R2	
	-	
	-	
	-	

**LEGEND:**

1625-4\*\*\*\*  
 CIRCUIT SIZE  
 R = RECEPTACLE  
 P = PLUG

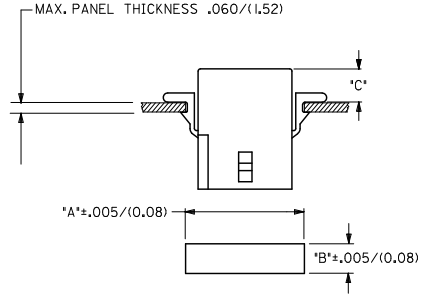
BLANK = WITH STANDARD MTG. EARS  
 1 = WITHOUT EARS  
 2 = WITH PREBENT MTG. EARS

BLANK = NOT DYED  
 AM=AMBER BK=BLACK BU=BLUE  
 BN=BROWN GY=GRAY GN=GREEN  
 OR=ORANGE RD=RED YW=YELLOW



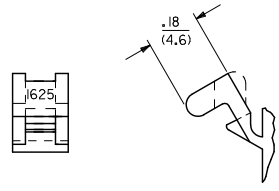
**DETAIL 1**

STANDARD MOUNTING EARS  
 (SCALE 4:1)



RECOMMENDED PANEL OPENING

HOUSING	DIM. 'A'	DIM. 'B'	'C' PREBENT EAR	'C' STANDARD EAR
PLUG	.865/(21.97)	.312/(7.92)	.19/(4.8)	.18/(4.6)
RECEPT.	.785/(19.94)	.260/(6.60)	.21/(5.3)	.20/(5.1)



**DETAIL 2**

PREBENT MOUNTING EARS  
 (SCALE 4:1)

NOTES:

1. MATERIAL - NYLON TYPE 6/6, 94V-2
2. FINISH: N/A.
3. THIS PRODUCT COMPLIES WITH MOLEX PRODUCT SPECIFICATION PS-02-06
4. PACKAGING: PK-1625-003.
5. HOUSINGS FOR USE WITH MOLEX .062/(1.57) DIA. SERIES TERMINALS.
6. CIRCUIT I.D. NUMBERS ON SIDE OF HOUSING APPEAR ON PARTS FROM TOOLS BUILT AFTER 8/10/92. PARTS FROM TOOLS BUILT BEFORE THIS DATE WILL HAVE CIRCUIT I.D. RIBS ON HOUSING.
7. PARTS CONFORM TO CLASS 'B' REQUIREMENTS OF COSMETIC SPECIFICATION PS-45499-002.

RE-INSTATE 1625-4R EC NO. UCP200-3332 DR: MICHAEL HAG 2010/06/30 CHKD: JBELL 2010/06/30 APPR: SMITH 2010/07/08	QUALITY SYMBOLS = 0 = 0	GENERAL TOLERANCES (UNLESS SPECIFIED)		DIMENSION STYLE IN/MM		SCALE ---	DESIGN UNITS INCH	THIRD ANGLE PROJECTION
		4 PLACES ± --- ± ---	mm INCH	DRAWN BY AELHAG DATE 2010/06/30	TITLE PLUG & RECEPTACLE HOUSINGS, 4 CIRCUIT, .062 DIA., .145 CENTERS			
		3 PLACES ± --- ± .010		CHECKED BY JBELL DATE 2010/06/30	MOLEX INCORPORATED			
		2 PLACES ± 0.25 ± .014 1 PLACE ± 0.36 ± --- ANGULAR ± 1 °		APPROVED BY F SMITH DATE 2010/07/08	MATERIAL NO. SD-1625-4* DOCUMENT NO. SHEET NO. 2 OF 2			
DRAFT WHERE APPLICABLE MUST REMAIN WITHIN DIMENSIONS		SEE CHART		THIS DRAWING CONTAINS INFORMATION THAT IS PROPRIETARY TO MOLEX INCORPORATED AND SHOULD NOT BE USED WITHOUT WRITTEN PERMISSION				