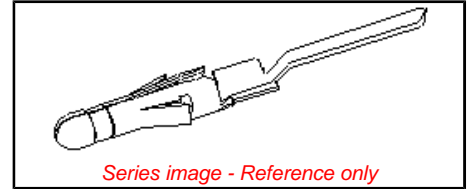


Part Number: [0002092134](#)
Status: **Active**
Overview: [Standard .093"](#)
Description: 2.36mm (.093") Diameter, Standard .093" Pin and Socket PC Tail Terminal, Series 1376, Male, with Tin/Lead (Sn/Pb) Plated Contact, Without Detent, Bag Packaged



Series image - Reference only

General

Product Family	Crimp Terminals
Series	1376
Comments	PC Tail For Standard .093" Housing
Overview	Standard .093"
Product Name	Standard .093"

Physical

Gender	Male
Material - Metal	Brass
Material - Plating Mating	Tin
Material - Plating Termination	Tin
Packaging Type	Bag
Plating min: Mating (µin)	100
Plating min: Mating (µm)	2.50
Plating min: Termination (µin)	100
Plating min: Termination (µm)	2.50
Termination Interface: Style	Through Hole
Wire Insulation Diameter	4.00mm (.160") max.
Wire Size AWG	N/A
Wire Size mm ²	N/A

Material Info

Old Part Number	1376-A(P909)L
-----------------	---------------

EU RoHS
ELV and RoHS
Compliant

China RoHS



PART NO.	ENG. NO.
02-09-2133	1376-(P909)IL
02-09-2134	1376-A(P909)IL
02-09-6138	1376-(228)IL
02-09-6132	1376-(558)IL
02-09-6134	1376-A(558)IL
50-34-8509	1376-A(P154)IL

LEGEND

1376-x(xxxxx)*
 OPTIONAL DETENT
 BLANK=WITH DETENT
 A= WITHOUT DETENT

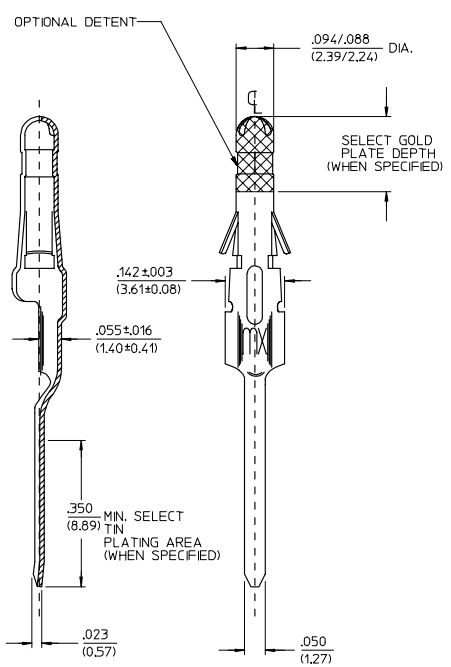
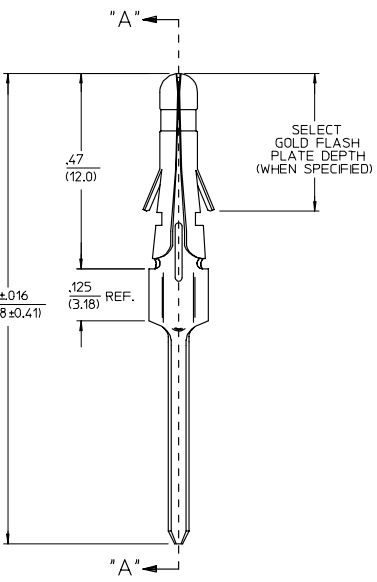
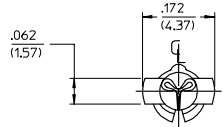
P=PREPLATE
 BLANK=POSTPLATE

FORM
 L=LOOSE

FINISH CODE

NOTES:

- MATERIAL: BRASS
- FINISHES:
 - 909 HOT TIN DIP .000100/(0.00254) MIN.
 - 154 OVERALL TIN .000100/(0.00254) MIN. OVER .000050/(0.00127) MIN. NICKEL OVERALL.
 - 558 SELECT GOLD PLATE .000030/(0.00076) MIN. IN CONTACT AREA OVER .000050/(0.00127) MIN. NICKLE OVERALL WITH .000010/(0.00025) MAX. GOLD FLASH.
 - 228 SELECT GOLD PLATE .000030/(0.00075) MIN. IN CONTACT AREA. SELECT TIN PLATE .000100/(0.00250) MIN. IN TAIL AREA OVER .000050/(0.00125) NICKLE OVERALL WITH SELECT GOLD FLASH .000010/(0.00025) MAX IN AREA INDICATED.
- * THE PRIMARY SHIPPING CARTON WILL BE LABELED, "COMPLIANT TO RoHS DIRECTIVE 2002/95/EC AND ELV ANNEX II OF DIRECTIVE 2000/53/EC". AND CARTONS WITHOUT THIS LABEL MAY CONTAIN PRODUCT WITH TIN-LEAD.
- PRODUCT SPECIFICATION: PS-02-09
- PACKAGING INFORMATION: NOT AVAILABLE.
- TERMINALS FOR USE WITH 0.093/(2.36) SERIES HOUSINGS.
- RECOMMENDED P.C. BOARD HOLE SIZE IS .062±0.02/(1.57±0.05) DIA.
- INSERTION FORCE: 3.5 LBS. MAX. WHEN TERMINAL IS INSERTED INTO AN .093 SERIES HOUSING.

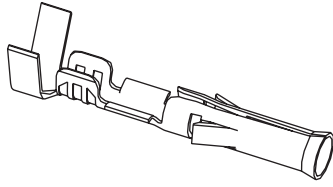


SECT. "A-A"

ADD: P/N 1376 -A(P154) EC NO. UCP2006-2524 DRWN: AELHAG 2006/05/15 CHKD: LSCHMIDT 2006/05/22 APPR: F SMITH 2006/07/14	QUALITY SYMBOLS	GENERAL TOLERANCES (UNLESS SPECIFIED)	SCALE: 6:1	DESIGN UNITS: INCH	TEMPERATURE: □	THIRD ANGLE PROJECTION	REVISE ON CAD ONLY															
	▽ -0	<table border="1"> <thead> <tr> <th></th> <th>mm</th> <th>INCH</th> </tr> </thead> <tbody> <tr> <td>4 PLACES ±</td> <td>---</td> <td>---</td> </tr> <tr> <td>3 PLACES ±</td> <td>---</td> <td>±.010</td> </tr> <tr> <td>2 PLACES ±</td> <td>0.25</td> <td>±.014</td> </tr> <tr> <td>1 PLACE ±</td> <td>0.36</td> <td>---</td> </tr> </tbody> </table>		mm	INCH	4 PLACES ±	---	---	3 PLACES ±	---	±.010	2 PLACES ±	0.25	±.014	1 PLACE ±	0.36	---	DIMENSION STYLE: IN/MM	TITLE: P.C. TAIL TERMINAL, MALE, .093/(2.36) DIA.	MOLEX INCORPORATED		
		mm	INCH																			
	4 PLACES ±	---	---																			
3 PLACES ±	---	±.010																				
2 PLACES ±	0.25	±.014																				
1 PLACE ±	0.36	---																				
▽ -0	ANGULAR ± °	DRAFT WHERE APPLICABLE	DRAWN BY: GC DATE: 1991/02/18	CHECKED BY: RW DATE: 1991/02/18	APPROVED BY: GWF DATE: 1991/02/19	MATERIAL NO.: SEE CHART	DOCUMENT NO.: SD-1376-*															
REV	M1	MUST REMAIN WITHIN DIMENSIONS	THIS DRAWING CONTAINS INFORMATION THAT IS PROPRIETARY TO MOLEX INCORPORATED AND SHOULD NOT BE USED WITHOUT WRITTEN PERMISSION		SHEET NO.: 1 OF 1																	

2.36mm (.093") Pin Diameter .093" Pin and Socket Female Terminals

Standard .093" and 3191



Features and Benefits

- Available in Tin or Gold platings
- Available in Brass or Phosphor Bronze base materials
- Accommodates 14 to 30 gauge wire
- Available in crimp or PC tail versions

Reference Information

Packaging: Bag or reel
UL File No.: E29179
CSA File No.: LR19980
Designed In: Inches

Electrical

Current: Standard Terminal—14.0A max.*
High Current Terminal—17.0A max.*
Contact Resistance: 10 milliohms max.

Mechanical

Contact Insertion Force: 22.29N max.
Contact Retention Force: 88.96N min.
Mating force: 15.57N max.
Unmating Force: 4.45N max.
Durability: Tin plating—25 cycles max.
Gold plating—50 cycles max.

Physical

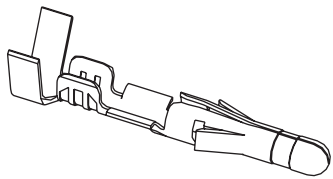
Contact: Brass or Phosphor Bronze
Plating: Tin or Gold
Operating Temperature: -40 to +105°C
Strip Length: See tooling section

* Depending on circuit size and wire gauge. Please refer to product specifications

Type	Plating	Crimp Wire Size	Insulation Diameter	Series	Order No.		Lead-free
					Chain Form	Loose Form	
Standard Brass .010"	Tin	14-20	1.65/4.06 (.065/.160)	1189	02-09-1102	02-09-1104	Yes
		18-22	1.52/3.05 (.060/.120)	1381	02-09-1117	02-09-1119	
		22-24	1.27/1.78 (.050/.070)	2871	02-09-1138	02-09-1139	
		24-30	0.76/1.52 (.030/.060)	1433	02-09-1142	02-09-1144	
	15µ" Gold	14-20	1.65/4.06 (.065/.160)	1189	02-09-5100	02-09-5106	
		18-22	1.52/3.05 (.060/.120)	1381	02-09-5143	02-09-5142	
		24-30	0.76/1.52 (.030/.060)	1433	02-09-5146	02-09-5147	
	50µ" Gold	14-20	1.65/4.06 (.065/.160)	1189	02-09-5102	02-09-5111	
		18-22	1.52/3.05 (.060/.120)	1381	02-09-5130	02-09-5133	
.013" High Current/Low Force	Tin	14-18	3.56 (.140) max.	42477	02-09-1615	02-09-1616	
PC Tail for Standard .093" Housing	Tin			1377		02-09-1134	
	30µ" Gold				02-09-5132		
Phos-Bronze .010"	Tin	14-20	1.65/4.06 (.065/.160)	4550	02-09-1205	02-09-1206	
		18-22	1.52/3.05 (.060/.120)	2151	02-09-1203	02-09-1204	
	30µ" Gold	14-20	1.65/4.06 (.065/.160)	4550	02-09-5169	02-09-5170	

2.36mm (.093") Pin Diameter .093" Pin and Socket Male Terminals

Standard .093" and 3191



Features and Benefits

- Available in Tin or Gold platings
- Available in Brass or Phosphor Bronze base materials
- Accommodates 14 to 30 gauge wire
- Available in crimp or PC tail versions

Reference Information

Packaging: Bag or reel
UL File No.: E29179
CSA File No.: LR19980
Designed In: Inches

Electrical

Current: Standard terminal—14.0A max.*
High Current Terminal—17.0A max.*
Contact Resistance: 10 milliohms max

Mechanical

Contact Insertion Force: 22.24N max.
Contact Retention Force: 88.96N min.
Mating Force: 15.57N max.
Unmating Force: 4.45N max.
Durability: Tin plating—25 cycles max.
Gold plating—50 cycles max.

Physical

Contact: Brass or Phosphor Bronze
Plating: Tin or Gold
Operating Temperature: -40 to +105°C

* Depending on circuit size and wire gauge; please refer to product specifications

Type	Plating	Crimp Wire Size	Insulation Diameter	Series	Order No.		Lead-free
					Chain Form	Loose Form	
Standard Brass .010"	Tin	14-20	1.65/4.06 (.065/.160)	1190	02-09-2101	02-09-2103	Yes
		18-22	1.52/3.05 (.060/.120)	1380	02-09-2116	02-09-2118	
		22-24	1.27/1.78 (.050/.070)	2870	02-09-2136	02-09-2137	
		24-30	0.76/1.52 (.030/.060)	1434	02-09-2141	02-09-2143	
	15µ" Gold	14-20	1.65/4.06 (.065/.160)	1190	02-09-6100	02-09-6106	
		18-22	1.52/3.05 (.060/.120)	1380	02-09-6122	02-09-6123	
		24-30	0.76/1.52 (.030/.060)	1434	02-09-6144	02-09-6145	
	50µ" Gold	14-20	1.65/4.06 (.065/.160)	1190	02-09-6101	02-09-6110	
		18-22	1.52/3.05 (.060/.120)	1380	02-09-6125	02-09-6126	
Grounding Pin	Tin	14-18	1.65/3.56 (.065/.140)	1973-2	02-09-8108	02-09-8109	
		18-22	1.52/3.05 (.060/.120)	1973	02-09-8103	02-09-8104	
.013" High Current/Low Force	Tin	14-18	3.56 (.140) max.	42478	02-09-2611	02-09-2612	
PC Tail for Standard .093" Housing	Tin			1376		02-09-2134	
	30µ" Gold			1376		02-09-6132	