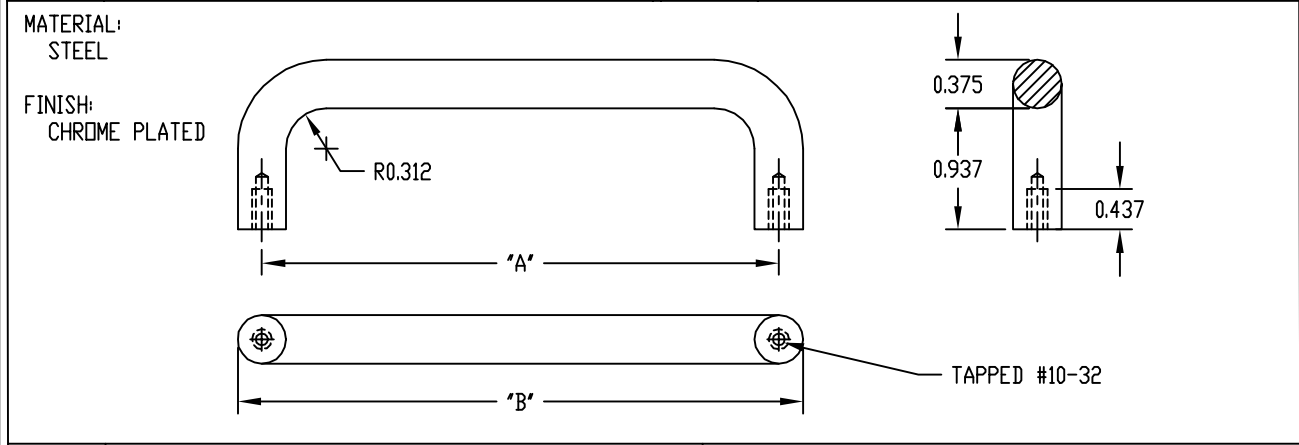
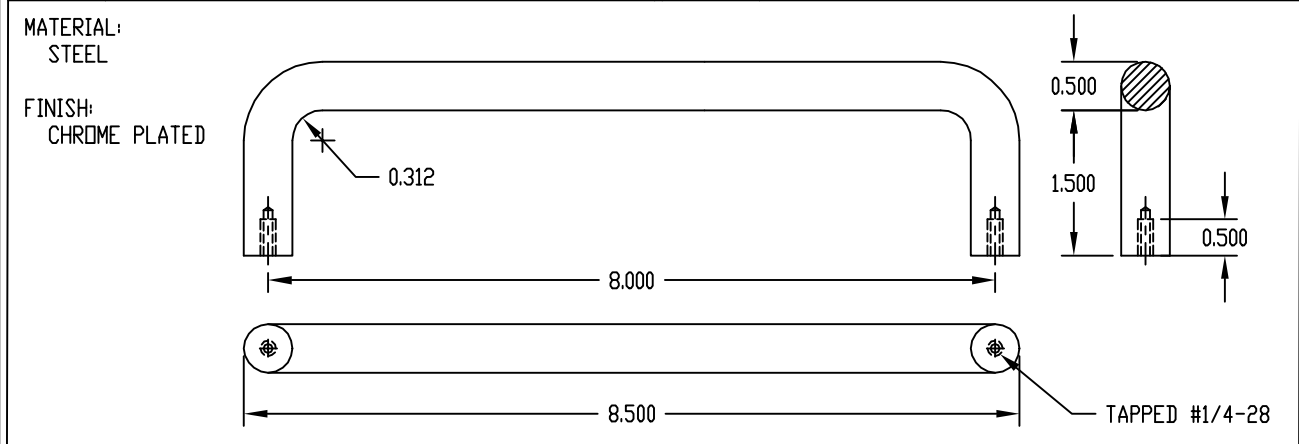


PART NAME	HANDLE	PART No.	H-9111 THRU H-9113
-----------	--------	----------	--------------------



PART No.	'A'	'B'
H-9111	4.000	4.375
H-9112	6.000	6.375
H-9113	8.000	8.375

PART NAME	HANDLE	PART No.	H-9114
-----------	--------	----------	--------



PART NAME	HANDLE	PART No.	H-9149
-----------	--------	----------	--------

