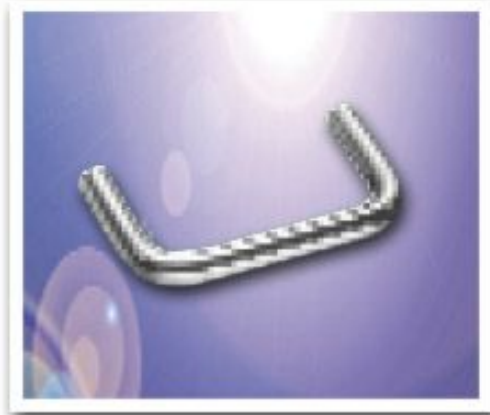




QUALITY ENCLOSURES

Accessories - Handles
Handle H-9166

Styled for all types of applications, designed for long wear. Quality construction equals that of high priced counterparts. Skin packed in pairs or bulk packed. Add Suffix -B when ordering in bulk.



Design Features

Chrome Plated. Mounting Centers: 190".
Hardware: (2) 6.32 X .5" screws Hand Clearance:
1". Material: .25" diameter brass

Catalog Number

H-9166

BUD INDUSTRIES INC.

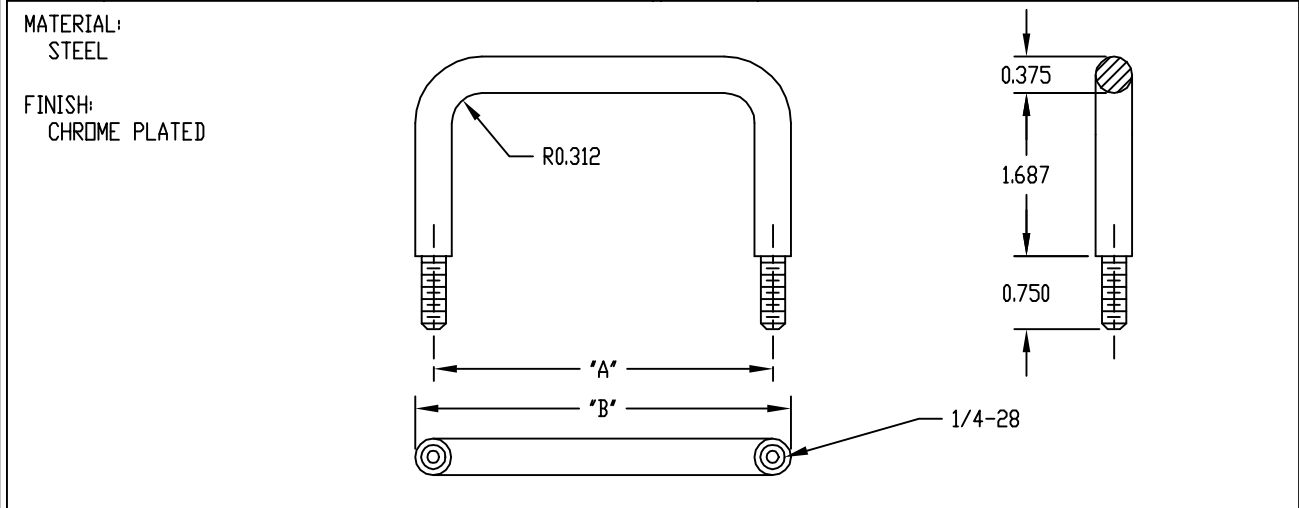
P.O. Box 998

Willoughby, Ohio 44094

Phone: 440-946-3200 Fax: 440-951-4015

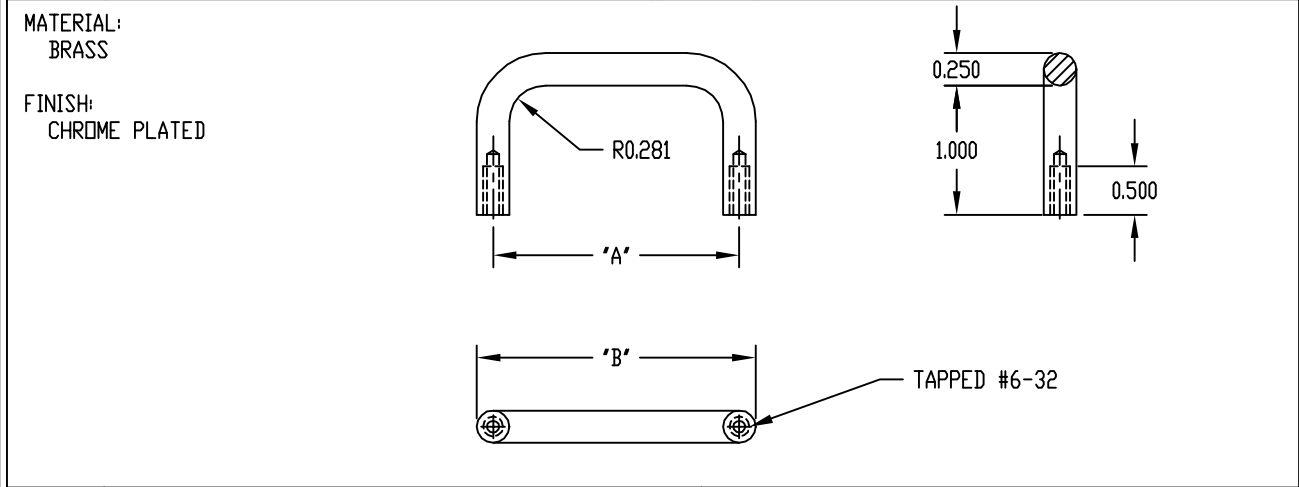
E-Mail: saleseast@budind.com

PART NAME	HANDLE	PART No.	H-9160 THRU H-9165
-----------	--------	----------	--------------------



PART No.	'A'	'B'
H-9160	3.500	3.875
H-9161	5.250	5.625
H-9162	7.000	7.375
H-9163	8.750	9.125
H-9164	10.500	10.875
H-9165	12.250	12.625

PART NAME	HANDLE	PART No.	H-9166 AND H-9168
-----------	--------	----------	-------------------



PART No.	'A'	'B'
H-9166	1.906	2.156
H-9168	3.000	3.250

PART NAME	HANDLE	PART No.	H-9110
-----------	--------	----------	--------

