

**IP67**

# Never Beaten by Seasons

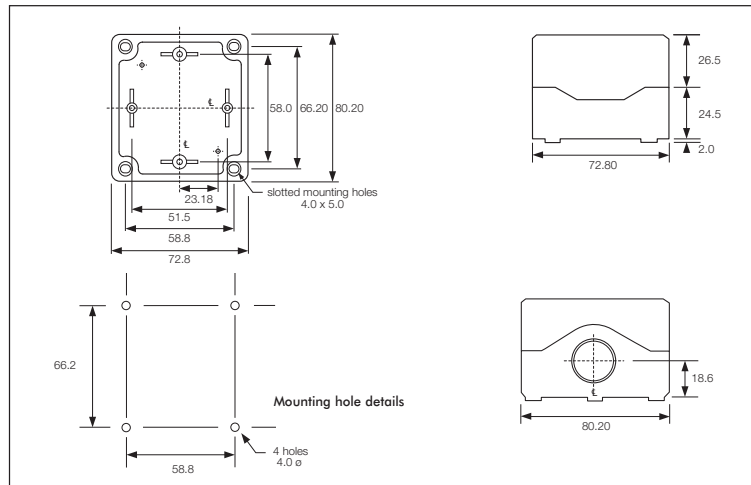
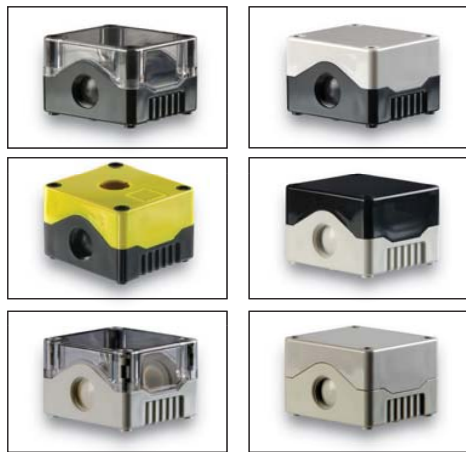


**BE Enclosures**

Frozen Winters! Torrential Springs! Blistering Summers! Dusty Autumns!



## SIZE 1 ENCLOSURE

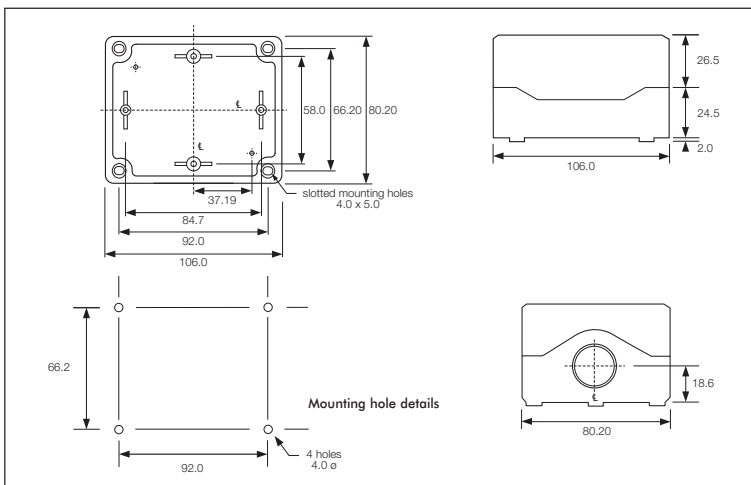


BEA01S - ABS

BEP01S - Polycarbonate

- 80 x 72 x 53mm
- Slotted mounting holes, 66.2 x 58.8mm
- 2 x M20 threaded knock-outs suitable for M20 glands
- Option for single pre-drilled 22mm Ø hole in lid
- PCB mounting posts suitable for M3 self tapping screws
- ABS or Flame Retardant Polycarbonate
- Grey or black base
- Transparent, smoked grey, black, grey or yellow lid

## SIZE 2 ENCLOSURE

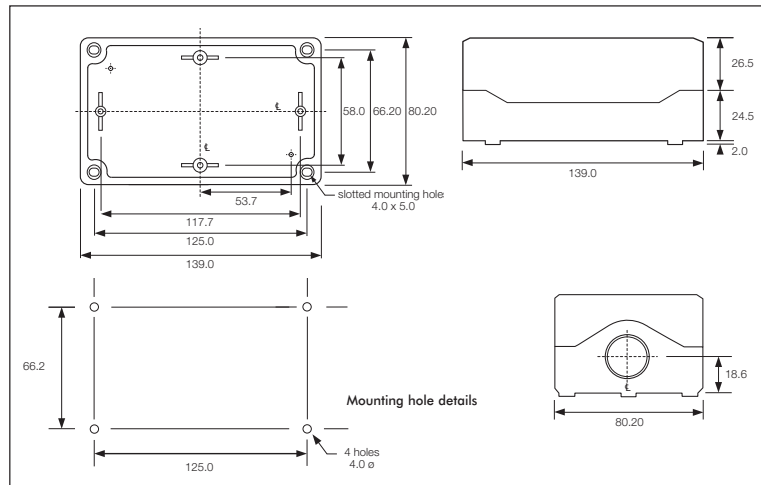


BEA02S - ABS

BEP02S - Polycarbonate

- 80 x 106 x 53mm
- Slotted mounting holes, 66.2 x 92.0mm
- 2 x M20 threaded knock-outs suitable for M20 glands
- Option for two pre-drilled 22mm Ø holes in lid
- PCB mounting posts suitable for M3 self tapping screws
- ABS or Flame Retardant Polycarbonate
- Grey or black base
- Transparent, smoked grey, black, grey or yellow lid

## SIZE 3 ENCLOSURE



BEA03S - ABS

BEP03S - Polycarbonate

- 80 x 139 x 53mm
- Slotted mounting holes, 66.2 x 125mm
- 2 threaded knock-outs suitable for M20 glands
- Option for three pre-drilled 22mm Ø holes in lid
- PCB mounting posts suitable for M3 self tapping screws
- ABS or Flame Retardant Polycarbonate
- Grey or black base
- Transparent, smoked grey, black, grey or yellow lid

## ACCESSORIES



- Combifoot rail mounting accessory
- Suitable for TS32 & TS35 rails
- Available in black or grey
- Part numbers:  
Grey - BE123456  
Black - BE123457



- Wall mounting accessory
- Easy fix to enclosure
- Available in black or grey
- Part numbers:  
Grey - BE123458  
Black - BE123459



- Cable glands
- M20 thread
- Cable range 3.5-8mm
- Supplied with gasket
- Available in black or grey
- Part numbers:  
Grey - BE123460  
Black - BE123461

# BE Enclosures

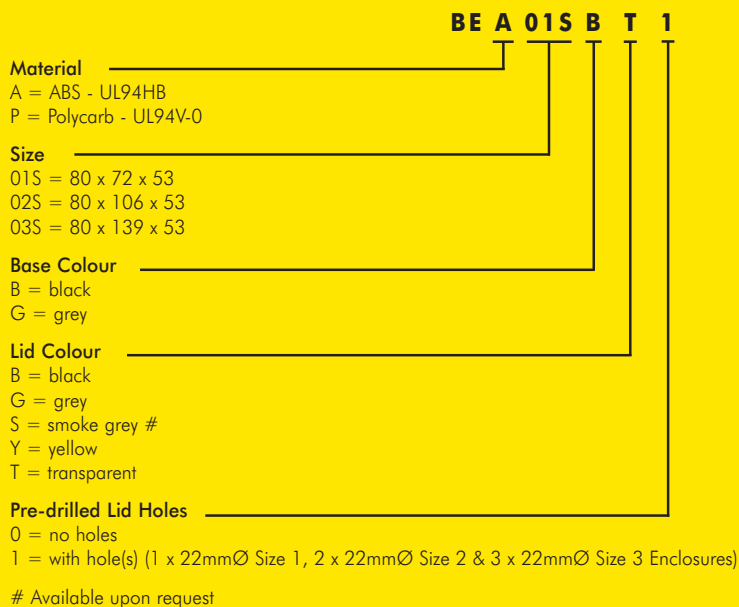
## SPECIFICATIONS

	BEAxxx	BEPxxx
Sealing:	IP67	IP67
Material:	ABS	Polycarbonate
Flammability rating:	UL94HB	UL94V-0
Gasket	TPE	TPE
Temperature rating:	-20°C to +85°C	-20°C to +100°C

## FEATURES

- IP67 rated, dust and waterproof for short-term submersion to 1m depth
- Two materials, Polycarbonate - UL94V-0 rated or ABS - UL94HB rated
- Threaded M20 knock-outs, premoulded areas that can be pushed out for use with M20 size cable glands
- Plastic lid fixing screws, corrosion resistant
- Captive lid screws, standard on all lids
- Additional pre-drilled 22mm holes in the lid may be specified, suitable for standard switches and indicators
- PCB mounting, mounting posts and slots for PCB as standard
- Self tapping screw fixing, standard feature
- Transparent top cover, available in clear and smoke grey
- Accessories:
  - Wall mounting brackets
  - Combifoot - TS32 & TS35 din rail mounting
  - M20 cable glands for use in knock-outs
- Registered design

## PART NO SYSTEM



### Part number example:

BEA02SGT0 = Size 2, ABS material, grey base, transparent lid with no holes