



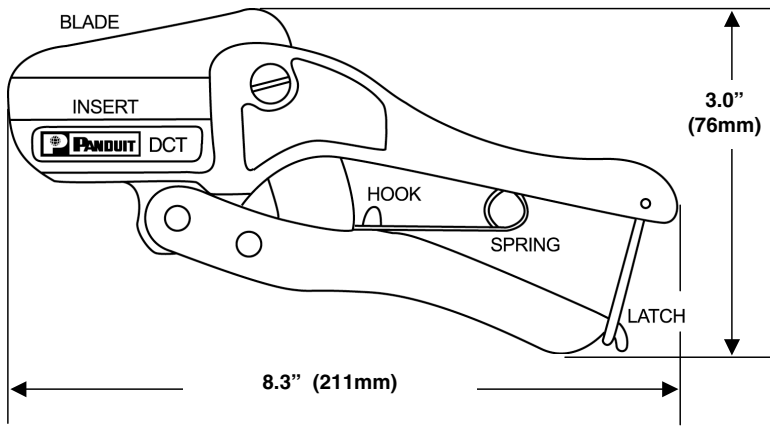
DCT



- Heavy duty steel tool incorporates a new, improved blade design, which minimizes cutting force and blade wear. Provides a smooth burr-free cut on both wiring duct and cover.
- Easily cuts any *PANDUCT*® duct & cover

▪ Part Number	DCT
▪ RoHS Compliancy Status	RoHS directive is not applicable
▪ Part Description	Hand-held duct cutting tool.
▪ Pricing Description	Duct Cutting Tool
▪ Min. Order UOM	PC
▪ Min. Order Qty.	1
▪ BOM Qty. (# of Pkgs.)	

THIS COPY IS PROVIDED ON A RESTRICTED BASIS AND IS NOT TO BE USED IN ANY WAY DETRIMENTAL TO THE INTERESTS OF PANDUIT CORP.



NOTES:


- Cuts any *PANDUCT* Wiring Duct or Cover, and Heat Shrink Tubing
- Provides a smooth burr-free cut for all types of slotted wall duct and cover
- Spring open handles
- Heavy duty steel tool

WEIGHT: .71 lb./ea.
(324 gm./ea.)

DIMENSIONS ARE FOR REFERENCE ONLY

REPLACEMENT PARTS:

- DCT-BLD Blade Replacement Kit (includes replacement blade and nylon insert)
- DCT-RI Replacement Insert (includes nylon insert only)

										CORP. TINLEY PARK, ILLINOIS	
								TOOL * DCT			
								DUCT CUTTING TOOL			
								UNLESS OTHERWISE SPECIFIED, DIMENSIONAL TOLERANCES ARE:		UNLESS OTHERWISE SPECIFIED, ALL DIMENSIONS ARE GIVEN IN INCHES, THIRD ANGLE PROJECTION.	
								(.x) ± --- (.xxx) ± ---			
								(.xx) ± --- ANGLES ± ---			
								DRAWN BY: BLR		SCALE NONE	
								DATE: 6-30-03		DRAWING NO.	
								CHK'D: ABJ		WD24741A01	
00	6-30-03	BLR	ABJ	RELEASED	4025	--	DLWE				DWG A SIZE
REV	DATE	BY	CHK'D	DESCRIPTION	ECN	-R	CUST	SUP			