

VC-K-T1-Z


Order No.: 1852930

The illustration shows version VC-K-T3-Z



<http://eshop.phoenixcontact.de/phoenix/treeViewClick.do?UID=1852930>

Plastic sleeve housing, locking screws with cylindrical head, type 1,
cable screw connection Pg16

| Commercial data | |
|--------------------------|--|
| GTIN (EAN) |  4 017918 133917 |
| sales group | D200 |
| Pack | 5 pcs. |
| Customs tariff | 85472000 |
| Catalog page information | Page 467 (PC-2011) |

Product notes

WEEE/RoHS-compliant since:
09/01/2005



<http://www.download.phoenixcontact.com>
Please note that the data given here has been taken from the online catalog. For comprehensive information and data, please refer to the user documentation. The General Terms and Conditions of Use apply to Internet downloads.

Technical data**General characteristics**

| | |
|------------------------------------|---|
| Note | When using fiber optics, the bending radii of the cable manufacturers must be observed. |
| Design | VC1 |
| Degree of protection | IP67 |
| Inflammability class acc. to UL 94 | V0 |
| Type of the screw connection | Pg16 |
| Pg screw connection | None |
| Height | 65 mm |
| Cable exit | Angled |
| Housing material | PA |
| Seal material | EPDM |
| Ambient temperature (operation) | -40 °C ... 80 °C |

Certificates / Approvals

Certification

CUL, GOST, UL

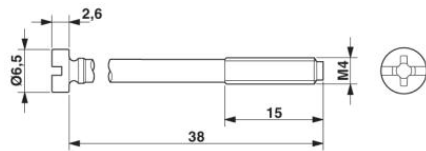
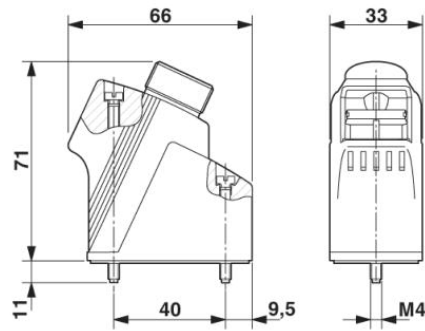
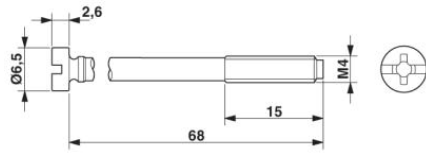
Accessories

| Item | Designation | Description |
|----------------|----------------------|---|
| General | | |
| 1885376 | VC-K-KV-PG16 1X3/1X8 | Half screw connection Pg16, made of plastic, consisting of rubber seal with several holes (1 x 3 mm/1 x 8 mm) and a pressure screw, for cable screw connection support VC-M-KV-PG16.... |
| 1885389 | VC-K-KV-PG16 1X3/1X9 | Half screw connection Pg16, made of plastic, consisting of rubber seal with several holes (1 x 6 mm/1 x 9 mm) and a pressure screw, for cable screw connection support VC-M-KV-PG16.... |
| 1885415 | VC-K-KV-PG16 1X3/2X8 | Half screw connection Pg16, made of plastic, consisting of rubber seal with several holes (1 x 3 mm/2 x 8 mm) and a pressure screw, for cable screw connection support VC-M-KV-PG16.... |
| 1885402 | VC-K-KV-PG16 1X5/1X9 | Half screw connection Pg16, made of plastic, consisting of rubber seal with several holes (1 x 5 mm/1 x 9 mm) and a pressure screw, for cable screw connection support VC-M-KV-PG16.... |

| | | |
|----------------|-------------------------|---|
| 1885428 | VC-K-KV-PG16 1X5/2X6 | Half screw connection Pg16, made of plastic, consisting of rubber seal with several holes (1 x 5 mm/2 x 6 mm) and a pressure screw, for cable screw connection thread VC-M-KV-PG16.... |
| 1885392 | VC-K-KV-PG16 1X6/1X8 | Half screw connection Pg16, made of plastic, consisting of rubber seal with several holes (1 x 6 mm/1 x 8 mm) and a pressure screw, for cable screw connection support VC-M-KV-PG16.... |
| 1885431 | VC-K-KV-PG16 2X6/1X7 | Half screw connection Pg16, made of plastic, consisting of rubber seal with several holes (2 x 6 mm/1 x 7 mm) and a pressure screw, for cable screw connection thread VC-M-KV-PG16.... |
| 1885444 | VC-K-KV-PG16 3X7 | Half screw connection Pg16, made of plastic, consisting of rubber seal with several holes (3 x 7 mm) and one pressure screw, for cable screw connection support VC-M-KV-PG16.... |
| 1607664 | VC-K-KV-PG16 7/14 | Half screw connection Pg16, made of plastic, consisting of rubber seal with one hole and one pressure screw, for type 1 housings, cable [mm] 7 - 14 |
| 1854459 | VC-K-KV-PG16(4- 6,5) | Half screw connection Pg16, made of plastic, consisting of rubber seal with one hole and one pressure screw, for type 1 housings, cable [mm] 4 - 6.5 |
| 1853735 | VC-K-KV-PG16(5- 8) | PG16 half screw connection, plastic, comprising rubber seal with one hole and a pressure screw, for type 1 housing, cable: 5 - 8 [mm] |
| 1853748 | VC-K-KV-PG16(6,5- 9,5) | PG16 half screw connection, plastic, comprising rubber seal with one hole and a pressure screw, for type 1 housing, cable: 6.5 - 9.5 [mm] |
| 1853751 | VC-K-KV-PG16(7-10,5) | PG16 half screw connection, plastic, comprising rubber seal with one hole and a pressure screw, for type 1 housing, cable: 7 - 10.5 [mm] |
| 1853764 | VC-K-KV-PG16(9-13) | Half screw connection Pg16, made of plastic, consisting of rubber seal with one hole and one pressure screw, for type 1 housings, cable [mm] 9 - 13 |
| 1854844 | VC-K-KV-PG16(11,5-15,5) | Half screw connection Pg16, made of plastic, consisting of rubber seal with one hole and one pressure screw, for type 1 housings, cable [mm] 11.5 - 15.5 |
| Marking | | |
| 1852875 | VC-BZS WH | Marker labels, unprinted, 5-section, for individual labeling with M-PEN or CMS system, white |

Diagrams/Drawings

Dimensioned drawing



Address

PHOENIX CONTACT Inc., USA
586 Fulling Mill Road
Middletown, PA 17057, USA
Phone (800) 888-7388
Fax (717) 944-1625
<http://www.phoenixcon.com>



© 2011 Phoenix Contact
Technical modifications reserved;