

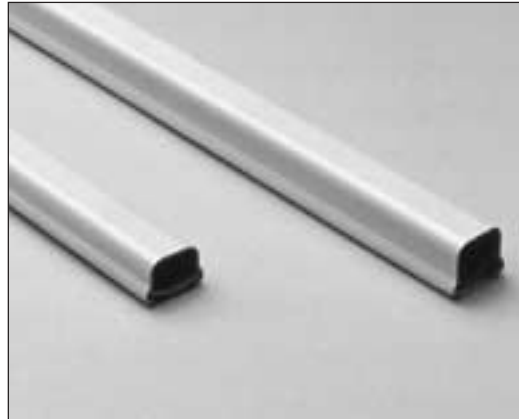
# WIREMOLD



## V500®/V700®/700WH Steel Raceway

### One-Piece Surface Steel Raceway

Deal for surface mounting small amounts of electrical wiring or communication cables. These rugged raceways offer a low profile appearance which blend with any decor. V500, V700, and 700WH come in our exclusive ScuffCoat™ finish.




V500 and V700.

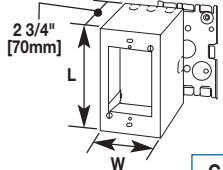


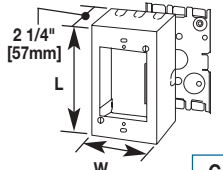
5700 Series boxes with Pass & Seymour Activate inserts.

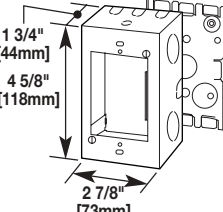
#### Features & Benefits

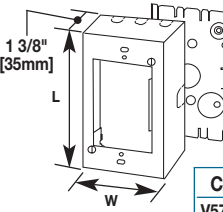
- **Low-profile, unobtrusive appearance.** Blends with any decor or setting. Excellent for low-voltage wiring.
- **ScuffCoat finish.** Tough, durable, scratch-resistant finish which can be overpainted with latex paint.
- **Surface mounting.** Eliminates disturbing the building structure or wall finish to make renovations easy.
- **V5748-3Device Box accommodates wireless.**  Designed for use with Ortronics® Wi-Jack™ Wireless Access Points.
- **Full line of fittings.** Provides unlimited wiring solutions and interconnection between raceway systems.
- **More choice of colors.** 700 Series Raceway and Fittings are available in ivory and white.
- **Fittings have removable covers.** Allows easy access to wiring for changes and additions.
- **Raceway cutters with replaceable blades.** Cuts raceway cleanly, reduces labor, and installation time.
- **Datacom connectivity options.** Accepts industry standard and proprietary devices from a wide range of manufacturers to provide a seamless and aesthetically pleasing interface for voice, data, audio, and video applications at the point of use.
- **UL5 and ADA compliant.** Raceway and fittings meet UL5 specifications and can be installed in conformance with ADA requirements.

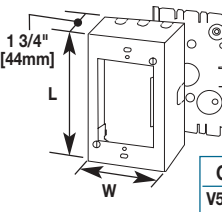
## V500, V700, & 700WH Device Boxes (continued)

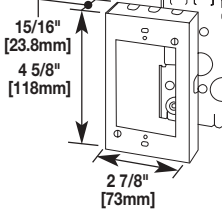
Catalog No./Item	Description/Specifications																			
V5744 † † 5744WH † †	<b>Extra Deep Device Box</b> – Designed for deep devices – momentary contact, and remote control switches, hospital signaling system devices, and deep communication devices. Base has 1/2" trade size KOs.	ORT	P&S	OPEN																
		OPEN																		
																				
	<table border="1" style="width: 100%; border-collapse: collapse;"> <thead> <tr> <th>CAT NO.</th> <th>L</th> <th>W</th> <th>GANG #</th> </tr> </thead> <tbody> <tr> <td>V5744, WH †</td> <td>4 5/8" [118mm]</td> <td>2 7/8" [73mm]</td> <td>1</td> </tr> <tr> <td>V5744-2, WH †</td> <td>4 3/4" [121mm]</td> <td>4 3/4" [121mm]</td> <td>2*</td> </tr> <tr> <td>V5744-3 †</td> <td>4 5/8" [118mm]</td> <td>6 1/2" [165mm]</td> <td>3</td> </tr> </tbody> </table>	CAT NO.	L	W	GANG #	V5744, WH †	4 5/8" [118mm]	2 7/8" [73mm]	1	V5744-2, WH †	4 3/4" [121mm]	4 3/4" [121mm]	2*	V5744-3 †	4 5/8" [118mm]	6 1/2" [165mm]	3			
CAT NO.	L	W	GANG #																	
V5744, WH †	4 5/8" [118mm]	2 7/8" [73mm]	1																	
V5744-2, WH †	4 3/4" [121mm]	4 3/4" [121mm]	2*																	
V5744-3 †	4 5/8" [118mm]	6 1/2" [165mm]	3																	

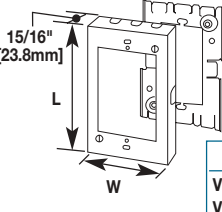
Catalog No./Item	Description/Specifications																			
V5744S † † 5744SWH † †	<b>Deep Switch and Receptacle Box</b> – For installing signal system alarm wiring and communication devices. Base has 1/2" trade size and rectangular single-gang KOs.	ORT	P&S	OPEN																
		OPEN																		
																				
	<table border="1" style="width: 100%; border-collapse: collapse;"> <thead> <tr> <th>CAT NO.</th> <th>L</th> <th>W</th> <th>GANG #</th> </tr> </thead> <tbody> <tr> <td>V5744, WH †</td> <td>4 5/8" [118mm]</td> <td>2 7/8" [73mm]</td> <td>1</td> </tr> <tr> <td>V5744-2, WH †</td> <td>4 3/4" [121mm]</td> <td>4 3/4" [121mm]</td> <td>2*</td> </tr> <tr> <td>V5744-3 †</td> <td>4 5/8" [118mm]</td> <td>6 1/2" [165mm]</td> <td>3</td> </tr> </tbody> </table>	CAT NO.	L	W	GANG #	V5744, WH †	4 5/8" [118mm]	2 7/8" [73mm]	1	V5744-2, WH †	4 3/4" [121mm]	4 3/4" [121mm]	2*	V5744-3 †	4 5/8" [118mm]	6 1/2" [165mm]	3			
CAT NO.	L	W	GANG #																	
V5744, WH †	4 5/8" [118mm]	2 7/8" [73mm]	1																	
V5744-2, WH †	4 3/4" [121mm]	4 3/4" [121mm]	2*																	
V5744-3 †	4 5/8" [118mm]	6 1/2" [165mm]	3																	

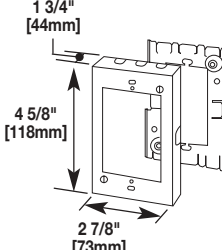
Catalog No./Item	Description/Specifications			
V5745 † † 5745WH † †	<b>Combination Device Box</b> – For connecting surface runs of 1/2" [12.7mm] conduit, etc. Cover has two raceway twistouts on one end and three on opposite end; also two 1/2" trade size KOs and a raceway twistout on each side. Base has two 1/2" trade size KOs.	ORT	P&S	OPEN
		OPEN		
				

Catalog No./Item	Description/Specifications																			
V5747 † † 5747WH † †	<b>Shallow Device Box</b> – For standard shallow switches, receptacles, communication devices, and single-gang combination devices. Base has two 1/2" trade size KOs.	ORT	P&S	OPEN																
		OPEN																		
																				
	<table border="1" style="width: 100%; border-collapse: collapse;"> <thead> <tr> <th>CAT NO.</th> <th>L</th> <th>W</th> <th>GANG #</th> </tr> </thead> <tbody> <tr> <td>V5747, WH †</td> <td>4 5/8" [118mm]</td> <td>2 7/8" [73mm]</td> <td>1</td> </tr> <tr> <td>V5747-2, WH †</td> <td>4 3/4" [121mm]</td> <td>4 3/4" [121mm]</td> <td>2*</td> </tr> <tr> <td>V5747-3 †</td> <td>4 5/8" [118mm]</td> <td>6 1/2" [165mm]</td> <td>3</td> </tr> </tbody> </table>	CAT NO.	L	W	GANG #	V5747, WH †	4 5/8" [118mm]	2 7/8" [73mm]	1	V5747-2, WH †	4 3/4" [121mm]	4 3/4" [121mm]	2*	V5747-3 †	4 5/8" [118mm]	6 1/2" [165mm]	3			
CAT NO.	L	W	GANG #																	
V5747, WH †	4 5/8" [118mm]	2 7/8" [73mm]	1																	
V5747-2, WH †	4 3/4" [121mm]	4 3/4" [121mm]	2*																	
V5747-3 †	4 5/8" [118mm]	6 1/2" [165mm]	3																	

Catalog No./Item	Description/Specifications																															
V5748 † † 5748WH † †	<b>Device Box</b> – For deep switches, receptacles and communication devices. Base has two 1/2" trade size KOs.	ORT	P&S	OPEN																												
		OPEN																														
																																
	<table border="1" style="width: 100%; border-collapse: collapse;"> <thead> <tr> <th>CAT NO.</th> <th>L</th> <th>W</th> <th>GANG #</th> </tr> </thead> <tbody> <tr> <td>V5748, WH †</td> <td>4 5/8" [118mm]</td> <td>2 7/8" [73mm]</td> <td>1</td> </tr> <tr> <td>V5748-2, WH †</td> <td>4 3/4" [121mm]</td> <td>4 3/4" [121mm]</td> <td>2*</td> </tr> <tr> <td>V5748-3 †</td> <td>4 5/8" [118mm]</td> <td>6 1/2" [165mm]</td> <td>3</td> </tr> <tr> <td>V5748-4 †</td> <td>4 5/8" [118mm]</td> <td>8 11/32" [212mm]</td> <td>1</td> </tr> <tr> <td>V5748-5 †</td> <td>4 3/4" [121mm]</td> <td>10 5/32" [212mm]</td> <td>2*</td> </tr> <tr> <td>V5748-6 †</td> <td>4 5/8" [118mm]</td> <td>11 31/32" [165mm]</td> <td>3</td> </tr> </tbody> </table>	CAT NO.	L	W	GANG #	V5748, WH †	4 5/8" [118mm]	2 7/8" [73mm]	1	V5748-2, WH †	4 3/4" [121mm]	4 3/4" [121mm]	2*	V5748-3 †	4 5/8" [118mm]	6 1/2" [165mm]	3	V5748-4 †	4 5/8" [118mm]	8 11/32" [212mm]	1	V5748-5 †	4 3/4" [121mm]	10 5/32" [212mm]	2*	V5748-6 †	4 5/8" [118mm]	11 31/32" [165mm]	3			
CAT NO.	L	W	GANG #																													
V5748, WH †	4 5/8" [118mm]	2 7/8" [73mm]	1																													
V5748-2, WH †	4 3/4" [121mm]	4 3/4" [121mm]	2*																													
V5748-3 †	4 5/8" [118mm]	6 1/2" [165mm]	3																													
V5748-4 †	4 5/8" [118mm]	8 11/32" [212mm]	1																													
V5748-5 †	4 3/4" [121mm]	10 5/32" [212mm]	2*																													
V5748-6 †	4 5/8" [118mm]	11 31/32" [165mm]	3																													

Catalog No./Item	Description/Specifications			
V5748S † 5748SWH †	<b>Shallow Switch and Receptacle Box</b> – For duplex receptacles (shallow type). Base has 1/2" trade size KOs.	ORT	P&S	OPEN
		OPEN		
				

Catalog No./Item	Description/Specifications																			
V5751 5751 WH	<b>Flush-Type Extension Adapter</b> – For extensions from existing flush wall boxes. Larger gangs available, consult factory.	ORT	P&S	OPEN																
		OPEN																		
																				
	<table border="1" style="width: 100%; border-collapse: collapse;"> <thead> <tr> <th>CAT NO.</th> <th>L</th> <th>W</th> <th>GANG #</th> </tr> </thead> <tbody> <tr> <td>V5751, WH</td> <td>4 5/8" [118mm]</td> <td>2 7/8" [73mm]</td> <td>1</td> </tr> <tr> <td>V5751-2, WH</td> <td>4 3/4" [121mm]</td> <td>4 3/4" [121mm]</td> <td>2*</td> </tr> <tr> <td>V5751-3</td> <td>4 5/8" [118mm]</td> <td>6 1/2" [165mm]</td> <td>3</td> </tr> </tbody> </table>	CAT NO.	L	W	GANG #	V5751, WH	4 5/8" [118mm]	2 7/8" [73mm]	1	V5751-2, WH	4 3/4" [121mm]	4 3/4" [121mm]	2*	V5751-3	4 5/8" [118mm]	6 1/2" [165mm]	3			
CAT NO.	L	W	GANG #																	
V5751, WH	4 5/8" [118mm]	2 7/8" [73mm]	1																	
V5751-2, WH	4 3/4" [121mm]	4 3/4" [121mm]	2*																	
V5751-3	4 5/8" [118mm]	6 1/2" [165mm]	3																	

Catalog No./Item	Description/Specifications			
V5751A 5751AWH	<b>Deep Flush-Type Extension Adapter</b> – For deep extensions from existing flush wall boxes.	ORT	P&S	OPEN
		OPEN		
				

**NOTES:** Covers on this page have double twistouts. Break out lower twistout for use with V500, and both twistouts for use with V700.

\* V5744-2 and V5744S-2 Base and V5747-2 and V5748-2 Base have 1/2" and 1" concentric trade size KOs and a 1 13/16" x 2 7/8" [47mm x 73mm] rectangular KO to permit mounting on a one-gang in-wall outlet box.

† Replace V with VC or WH with WHC to denote Canadian version — Agency approved for sale in Canada. Ⓢ

† Larger gangs available, consult factory.