

WIREMOLD



V500[®]/V700[®]/700WH Steel Raceway

One-Piece Surface Steel Raceway

Deal for surface mounting small amounts of electrical wiring or communication cables. These rugged raceways offer a low profile appearance which blend with any decor. V500, V700, and 700WH come in our exclusive ScuffCoat™ finish.




V500 and V700.

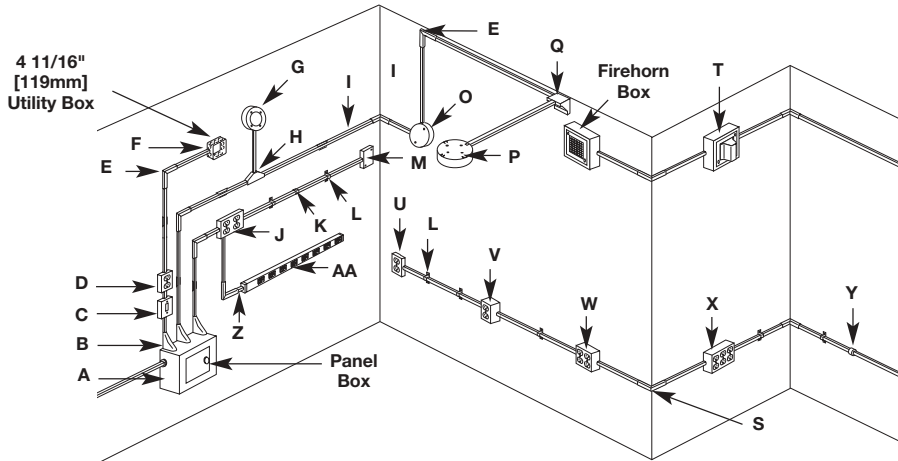


5700 Series boxes with Pass & Seymour Activate inserts.

Features & Benefits

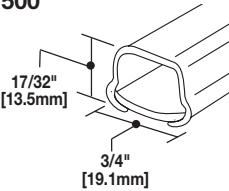
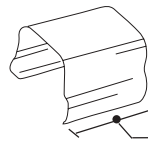
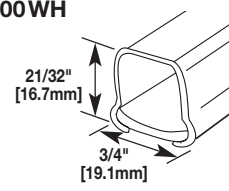
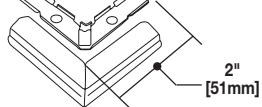
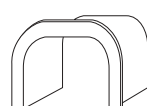
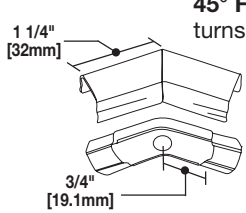
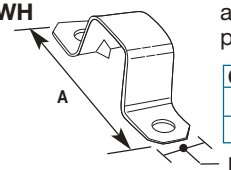
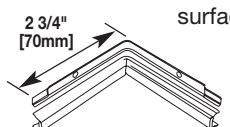
- **Low-profile, unobtrusive appearance.** Blends with any decor or setting. Excellent for low-voltage wiring.
- **ScuffCoat finish.** Tough, durable, scratch-resistant finish which can be overpainted with latex paint.
- **Surface mounting.** Eliminates disturbing the building structure or wall finish to make renovations easy.
- **V5748-3Device Box accommodates wireless.**  Designed for use with Ortronics® Wi-Jack™ Wireless Access Points.
- **Full line of fittings.** Provides unlimited wiring solutions and interconnection between raceway systems.
- **More choice of colors.** 700 Series Raceway and Fittings are available in ivory and white.
- **Fittings have removable covers.** Allows easy access to wiring for changes and additions.
- **Raceway cutters with replaceable blades.** Cuts raceway cleanly, reduces labor, and installation time.
- **Datacom connectivity options.** Accepts industry standard and proprietary devices from a wide range of manufacturers to provide a seamless and aesthetically pleasing interface for voice, data, audio, and video applications at the point of use.
- **UL5 and ADA compliant.** Raceway and fittings meet UL5 specifications and can be installed in conformance with ADA requirements.

V500 & 700 Series System Product Applications



- | | | |
|---|---|--|
| <p>A — 5781A 3/4" [19.1mm] Box Connector</p> <p>B — V5786 Adjustable Offset Connector</p> <p>C — V57240 Single Pole Switch and Box</p> <p>D — V57243G Duplex Receptacle and Box</p> <p>E — V711 Flat Elbow</p> <p>F — V5785 Combination Connector</p> <p>G — V5738 Fixture Box Solid Base</p> <p>H — V5715 Tee Fitting</p> <p>I — V5703 Supporting Clip</p> | <p>J — 5747-2 Shallow Device Box</p> <p>K — V706 Cover Clip</p> <p>L — V704 Mounting Strap</p> <p>M — V57242 Utility Box</p> <p>N — V717 Internal Elbow</p> <p>O — V5734A Utility Box</p> <p>P — V5739 Fixture Box Solid Base</p> <p>Q — V5719 Corner Box</p> <p>R — R5752 Alarm Device Box</p> | <p>S — V718 External Elbow</p> <p>T — R5753 Extra Deep Alarm Device Box</p> <p>U — V5747S Shallow Device Box</p> <p>V — V5744 Extra Deep Device Box</p> <p>W — V5748-2 Device Box</p> <p>X — V5748-3 Device Box</p> <p>Y — 5782 1/2" [12.7mm] Conduit Connector</p> <p>Z — V2089E Reducing Fitting</p> <p>AA — Plugmold Multioutlet System</p> |
|---|---|--|

V500, V700, & 700WH Raceway & Fittings

Catalog No./Item	Description/Specifications	Catalog No./Item	Image	Description/Specifications									
V500	 <p>Raceway — .040" [1.0mm] steel. Comes in 10 ft. [3.05m] lengths, one 5701 Coupling furnished with each length. Five ft. [1.525m] lengths available, order V500-5.</p>	V506 V706 706WH		Connection Cover — To cover openings where lengths of V500 or 700 Series, not squarely cut, come together.									
V700 700WH	 <p>Raceway — .040" [1.0mm] steel. Comes in 10 ft. [3.05m] lengths, one 5701 Coupling furnished with each length. Five ft. [1.525m] lengths available, order V700-5.</p>	V511 V711 711WH		90° Flat Elbow — For right angle turns on same surface.									
502 702	 <p>Bushing — Protects wires from abrasion. Bushing slips into open end of raceway where it enters a fitting.</p>	V512 V712		45° Flat Elbow — For diagonal 45° turns on same surface.									
V504 V704 704WH	 <p>Mounting Strap (1- or 2-Hole) — Convert to one-hole by breaking off at score. Lanced tab holds strap in place while fastening to surface.</p> <table border="1" style="margin-left: auto; margin-right: auto; border-collapse: collapse;"> <thead> <tr> <th>CAT. #</th> <th>A</th> <th>B</th> </tr> </thead> <tbody> <tr> <td>V504</td> <td>1 7/8" [47mm]</td> <td>1/2" [12.7mm]</td> </tr> <tr> <td>V704</td> <td>1 7/8" [47mm]</td> <td>5/8" [15.4mm]</td> </tr> </tbody> </table>	CAT. #	A	B	V504	1 7/8" [47mm]	1/2" [12.7mm]	V704	1 7/8" [47mm]	5/8" [15.4mm]	V517 V717 717WH		Internal Elbow — For inside surfaces at right angles.
CAT. #	A	B											
V504	1 7/8" [47mm]	1/2" [12.7mm]											
V704	1 7/8" [47mm]	5/8" [15.4mm]											

NOTE: Use #6 flat head screws with all fittings requiring screws except V504/V704, and V57200 Series; with V504/V704 use #8 pan head screws; with V57200 Series use #8 flat head screws.