



SGABM20-A-C



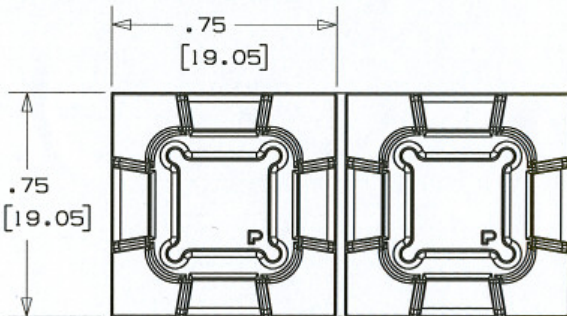
- Low profile design keeps bundle close to mounting surface
- Small overall size allows use where space is limited
- ‡Cable tie cross section sizes: SGM = Super-Grip™ Miniature, SGI = Super-Grip™ Intermediate, SGS = Super-Grip™ Standard, SGLH = Super-Grip™ Light Heavy, SGH = Super-Grip™ Heavy.

• Part Number	SGABM20-A-C
• RoHS Compliancy Status	Compliant
• Part Description	Super Grip™ 4-Way Adhesive Backed Cable Tie Mount
• Material	Nylon 6.6
• Color	White
• Height (In.)	.16
• Height (mm)	4.0
• Length (In.)	.75
• Length (mm)	19.1
• Width (In.)	.75
• Width (mm)	9.1
• Adhesive Type	Rubber
• Environment	Indoor Use
• Mounting Method	Rubber
• Pricing Description	Super Grip Adhesive Mount, Adh., .75" x .75" (19.1mm x 19.1mm), NAT
• Used With Cable Ties	SGM, SGI
• Min. Order UOM	PC
• Min. Order Qty.	100
• BOM Qty. (# of Pkgs.)	

THIS COPY IS PROVIDED ON A RESTRICTED BASIS AND IS NOT TO BE USED IN ANY WAY DETRIMENTAL TO THE INTERESTS OF PANDUIT CORP.

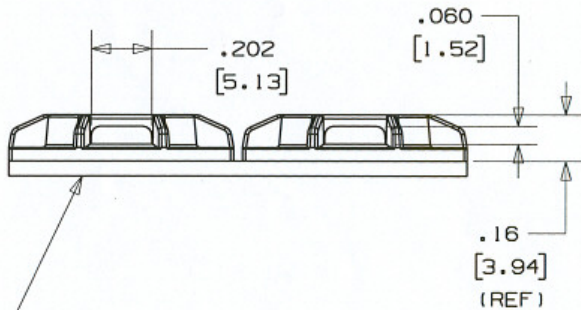
NO WARRANTY, EXPRESSED OR IMPLIED IS MADE BY PANDUIT WITH RESPECT TO ADHESIVE BOND PERFORMANCE. AMONG OTHER THINGS, THE CONDITIONS UNDER WHICH THESE MOUNTS MAY BE APPLIED AND / OR THE SURFACE TO WHICH THEY MAY BE APPLIED ARE BEYOND PANDUIT'S CONTROL.

PANDUIT PART NO. *	REC'M FASTENER	USE WITH THESE CABLE TIE CROSS SECTIONS	WEIGHT lbs / 100 (g) / pcs
SGABM20-A- ABM20 PAM075AB-A-	RUBBER ADHESIVE	M, I, SG100M, SG150I	0.142 (64.4)
SGABM20-AT- ABM20B PAM075AB-AT-	ACRYLIC ADHESIVE		

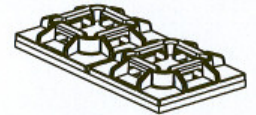
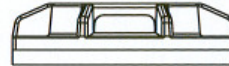


NOTES

- SEE CURRENT PRICE SHEET FOR PART NUMBER SUFFIX DESIGNATION FOR PACKAGE SIZE AND COLOR.
- PRODUCT IS SUPPLIED IN STRIPS OF TWO.
- (-A) MOUNT HAS A MAXIMUM CONTINUOUS OPERATING TEMPERATURE OF 120°F (49°C).
(-AT) MOUNT HAS A MAXIMUM CONTINUOUS OPERATING TEMPERATURE OF 180°F (82°C).



SCALE: FULL



ADHESIVE BACKING:

- (-A) RUBBER BASED ADHESIVE PRESSURE SENSITIVE FOAM TAPE 0.04 (1.0) THICK WITH A PROTECTIVE LINER. MOUNT IS DESIGNED TO SUPPORT 0.28 lbs (127g) MAX. WEIGHT ON A CLEAN DRY SMOOTH SURFACE.
- (-AT) ACRYLIC BASED ADHESIVE PRESSURE SENSITIVE FOAM TAPE 0.04 (1.0) THICK WITH A PROTECTIVE LINER. MOUNT IS DESIGNED TO SUPPORT 0.28 lbs (127g) MAX. ON A CLEAN DRY SMOOTH SURFACE.

DIMENSIONS IN BRACKETS ARE METRIC (mm)	
CAD FILENAME/LAYERS: G03150FB_PB_SGABM20_00	
PANDUIT CORP. TINLEY PARK, ILLINOIS	
ADHESIVE BACKED MOUNT - SUPER GRIP COMPATIBLE (SGABM20- 20B); (PAM075AB-A, -AT)	
UNLESS OTHERWISE SPECIFIED, DIMENSIONAL TOLERANCES ARE: (.X) ±0.05 (1.3) (.XXX) ±0.010 (0.25) (.XX) ±0.02 (0.5) ANGLES ±5°	UNLESS OTHERWISE SPECIFIED, ALL DIMENSIONS ARE GIVEN IN INCHES, THIRD ANGLE PROJECTION.
DRAWN BY: JAD	MAT'L: 2X
DATE: 6/12/06	SCALE: 2X
CHK'D: [Signature]	MATERIAL: NYLON 6/6
REV: [Table]	DWG: GB3150FB A

REV	DATE	BY	CHK	DESCRIPTION	ECN	R	CUST	SUP
R	6/12/06	JAD	[Signature]	INITIAL RELEASE	GB3150FB	R	[Signature]	