



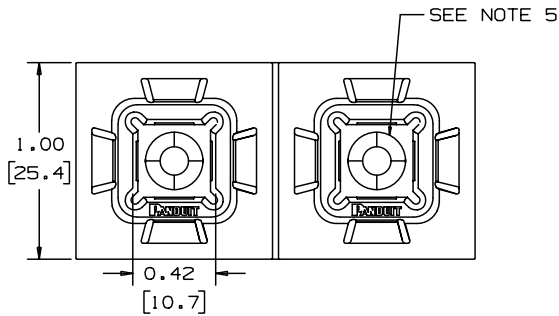
## ABM100-A-D



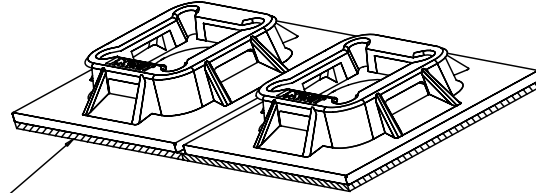
- Superior adhesive for long term reliability
- 2-up mount configuration speeds liner removal and installation
- 4-way cable tie entry makes part orientation fast and easy
- Adhesive backing allows routing of wires and cables where mounting holes cannot be drilled
- Used with PANDUIT cable ties for a complete wire routing solution
- ‡ Cable Tie Cross Section Sizes: M = Miniature, I = Intermediate, S = Standard, HS = Heavy-Standard, LH = Light-Heavy, H = Heavy, HLM = Miniature *Tak-Ty*® Hook & Loop Cable Ties.

Part Number	ABM100-A-D
RoHS Compliancy Status	Compliant
Part Description	4-Way Adhesive Backed Cable Tie Mount
Product Type	Cable Tie Mounts - Adhesive Backed
Material	Nylon 6.6
Color	White
UL Recognized	E136577
Height (In.)	.20
Height (mm)	5.1
Length (In.)	1.00
Length (mm)	25.4
Width (In.)	1.00
Width (mm)	25.4
Adhesive Type	Rubber
CE Compliant	CT-ACC1 / 10.96
Environment	Indoors
Max. Bundle Diameter (mm)	4.8
Mounting Method	Adhesive Backed
Pricing Description	Cable Tie Mount, Adh., 1"x1" (25.4mm x 25.4mm), WH
Screw Size	#6 (M3)
Screw Size Metric	M3
Used With Cable Ties	M, I, S, SGM, SGI, SGS
Min. Order UOM	PC
Min. Order Qty.	500
BOM Qty. (# of Pkgs.)	

THIS COPY IS PROVIDED ON A RESTRICTED BASIS AND IS NOT TO BE USED IN ANY WAY DETRIMENTAL TO THE INTERESTS OF PANDUIT CORP.

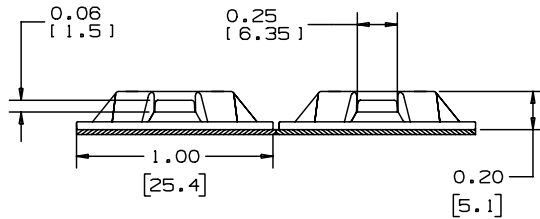


PANDUIT PART NUMBER*	WEIGHT lbs/100 pcs (g)/100 pcs	USE WITH ANY OF THESE CABLE TIE CROSS-SECTIONS
ABM100-A	0.26 (119)	M, I, S SG200, SG250, SG300



NO WARRANTY, EXPRESSED OR IMPLIED, IS MADE BY PANDUIT WITH RESPECT TO ADHESIVE BOND PERFORMANCE. AMONG OTHER THINGS, THE CONDITIONS UNDER WHICH THESE MOUNTS MAY BE APPLIED AND/OR THE SURFACE TO WHICH THEY MAY BE APPLIED ARE BEYOND PANDUIT'S CONTROL.

ADHESIVE BACKING: RUBBER BASED ADHESIVE PRESSURE SENSITIVE FOAM TAPE 0.04 [1.0] THICK WITH A PROTECTIVE LINER. MOUNT IS DESIGNED TO SUPPORT 0.50 lbs (227g) MAX. WEIGHT ON A CLEAN DRY SMOOTH SURFACE.



NOTES

- SEE CURRENT PRICE SHEET FOR PART NUMBER SUFFIX DESIGNATION FOR PACKAGE SIZE AND COLOR.
- THE '-A' SUFFIX REPRESENTS RUBBER ADHESIVE.
- SUPPLIED IN STRIPS OF TWO.
- MOUNT HAS A MAXIMUM CONTINUOUS OPERATING TEMPERATURE OF 120°F (49°C).
- HOLE FOR STANDARD S6 FLAT HEAD SCREW.

DIMENSIONS IN BRACKETS ARE METRIC [mm]

CAD FILENAME/LAYERS

G00033BA\_DC\_ABM100A\_06

**PANDUIT**

CORP. TINLEY PARK, ILLINOIS

ABM100-A  
FOUR-WAY MOUNT

UNLESS OTHERWISE SPECIFIED,  
DIMENSIONAL TOLERANCES ARE:  
(.X) ±0.05 (1.3) (.XXX) ±0.010 (0.25)  
(.XX) ±0.02 (0.5) ANGLES ±5°

UNLESS OTHERWISE SPECIFIED,  
ALL DIMENSIONS ARE GIVEN  
IN INCHES, THIRD ANGLE PROJECTION.

DRAWN BY MJK

MAT'L:

SCALE NONE

DATE

12/09/92

NYLON 6/6

DRAWING NO.

GB0033BA

DWG

A

SIZE

REV	DATE	BY	CHK	DESCRIPTION	ECN	R	CUST	SUP
6	8-24-05	TMSA		REMOVED PART NUMBER ABM25	GB0033BA	6		