

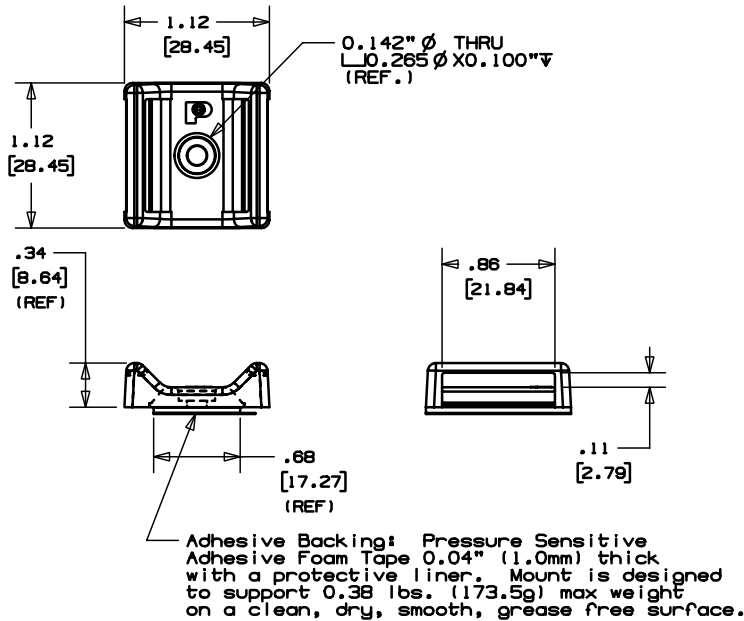
## ABMT-A-C



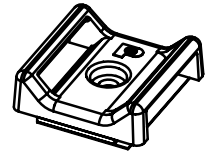
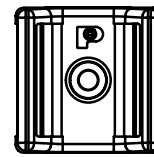
- Used with *PANDUIT*® cable ties for a complete wire routing solution
- Adhesive backing allows routing of wires and cables where mounting holes cannot be drilled
- Tear tab provides fast and easy liner removal to speed installation
- For indoor use

• Part Number	ABMT-A-C
• RoHS Compliancy Status	Compliant
• Part Description	Adhesive backed mount for <i>Tak-Ty</i> ® Hook & Loop Cable Ties
• Material	Nylon 6.6
• Color	Natural
• Height (In.)	.34
• Height (mm)	8.4
• Length (In.)	1.12
• Length (mm)	28.5
• Width (In.)	1.10
• Width (mm)	28.6
• Adhesive Type	Rubber
• Environment	Indoors
• Max. Bundle Diameter (mm)	19.1
• Mounting Method	Rubber
• Pricing Description	Cable Tie Mount, Adh., 1.12"x1.12" (28.5mm x 28.5mm), NAT
• Screw Size	#6 (M3)
• Screw Size Metric	M3
• Used With Cable Ties	HTL/HLS <i>Tak-Ty</i> ® Hook & Loop Cable Ties
• Min. Order UOM	PC
• Min. Order Qty.	100
• BOM Qty. (# of Pkgs.)	
• Add to Favorite Product List	

THIS COPY IS PROVIDED ON A RESTRICTED BASIS AND IS NOT TO BE USED IN ANY WAY DETRIMENTAL TO THE INTERESTS OF PANDUIT CORP.



PANDUIT PART NO. (*)	WEIGHT lbs / 100 (g) / pcs.
ABMT-_-_-	NO ADHESIVE 0.64 (291.4)
	WITH ADHESIVE 0.65 (294.8)



SCALE: FULL

NOTES:

- SEE CURRENT PRICE SHEET FOR PART NUMBER SUFFIX DESIGNATION FOR PACKAGE SIZE AND COLOR.
- A SUFFIX REPRESENTS RUBBER ADHESIVE  
-AT SUFFIX REPRESENTS ACRYLIC ADHESIVE  
-S6 SUFFIX, NO ADHESIVE; SCREW APPLIED WITH A #6-32 BUTTON HEAD CAP SCREW.
- ABMT-A HAS A MAXIMUM CONTINUOUS OPERATING TEMPERATURE OF 120°F (49°C).  
ABMT-AT HAS A MAXIMUM CONTINUOUS OPERATING TEMPERATURE OF 180°F (82°C).

DIMENSIONS IN BRACKETS ARE METRIC (mm)	
CND FILENAME/LAYERS GO2471CB_PB_ABMT_01	
<b>PANDUIT</b> CORP. TINLEY PARK, ILLINOIS	
ADHESIVE BACKED "TAK-TY" MOUNT (ABMT-_-_-)	
UNLESS OTHERWISE SPECIFIED, DIMENSIONAL TOLERANCES ARE: (.X) $\pm 0.05$ (1.3) (.XXX) $\pm 0.010$ (0.25) (.XX) $\pm 0.02$ (0.5) ANGLES $\pm 5^\circ$	UNLESS OTHERWISE SPECIFIED, ALL DIMENSIONS ARE GIVEN IN INCHES, THIRD ANGLE PROJECTION.
DRAWN BY JAD	MAT'L: NYLON 6/6
DATE 1/28/02	SCALE NONE
DWG NO. GB2471CB	DWG SIZE A

REV	DATE	BY	CHK	DESCRIPTION	ECN	R	CUST	SUP
1	2/11/05	JAD		1.12 was 1.10	002471CB	1		