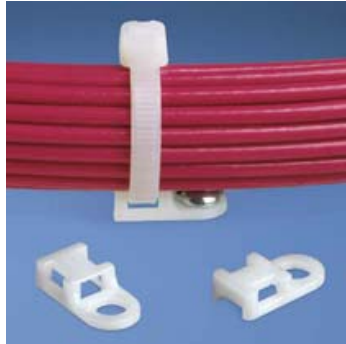




## TA1S8-C

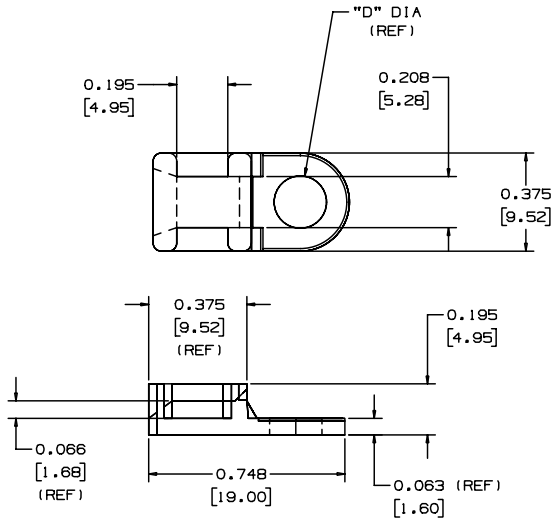


- Low profile and versatile these screw-installed mounts can be ideal for applications where space is limited. Designed for four-way cable tie insertion this mount can be mounted in-line or perpendicular to the wire bundle.
- 4-way cable tie entry makes part orientation fast and easy
- Install with a screw or rivet for a strong, secure installation
- Small overall size allows use where space is limited
- ‡ Cable Tie Cross Section Sizes: M = Miniature, I = Intermediate, S = Standard, HS = Heavy-Standard, LH = Light-Heavy, H = Heavy, HLM = Miniature *Tak-Ty*® Hook & Loop Ties.

• Part Number	TA1S8-C
• RoHS Compliancy Status	Compliant
• Part Description	Cable Tie Mount - Screw Applied
• Product Type	Cable Tie Mounts - Screw / Rivet Mounted
• Material	Nylon 6.6
• Color	Natural
• UL Recognized	E136577
• Height (In.)	.20
• Height (mm)	5.1
• Length (In.)	.75
• Length (mm)	19.1
• Width (In.)	.38
• Width (mm)	9.5
• CE Compliant	CT-ACC4 / 10.96
• Environment	Indoors
• Flammability Rating	UL94 V-2
• Hole Diameter (In.)	.17
• Hole Diameter (mm)	4.3
• Max. Bundle Diameter (mm)	4.8
• Mounting Method	#8 (M4) Screw
• Pricing Description	Tie Mount, Tie Anchor, #8 Screw (M4)
• Screw Size	#8 (M4)
• Screw Size Metric	M4
• Used With Cable Ties	M, I, S
• Min. Order UOM	PC

THIS COPY IS PROVIDED ON A RESTRICTED BASIS AND IS NOT TO BE USED IN ANY WAY DETRIMENTAL TO THE INTERESTS OF PANDUIT CORP.

PANDUIT PART NUMBER*	MAT'L SUFFIX	MATERIAL	"D"	REC. FAST.	WEIGHT lbs/100 pcs (g)/100 pcs	USE WITH THESE CABLE TIE CROSS-SECTIONS
TA1SB	NONE	NYLON 6/6	0.170 (4.3)	#8 (M4) SCREW	0.07 (32.0)	MINIATURE INTERMEDIATE STANDARD
	-0	WEATHER RESISTANT NYLON				
	-30	HEAT STABILIZED NYLON				
	-69	FLAME RETARDANT NYLON				
TA1S10	NONE	NYLON 6/6	0.200 (5.1)	#10 (M5) SCREW	0.07 (32.0)	MINIATURE INTERMEDIATE STANDARD
	-0	WEATHER RESISTANT NYLON				



NOTES:  
1. SEE CURRENT PRICE SHEET FOR PART NUMBER SUFFIX DESIGNATION FOR PACKAGE SIZE.

DIMENSIONS IN BRACKETS ARE METRIC [ mm ]

CAD FILENAME/LAYERS GB0239EP\_PB\_TA1\_02

**PANDUIT** CORP. TINLEY PARK, ILLINOIS

TA1 - TIE ANCHOR MOUNT

UNLESS OTHERWISE SPECIFIED,  
DIMENSIONAL TOLERANCES ARE:  
(.X) ±0.05 (1.3) (.XXX) ±0.010 (0.25)  
(.XX) ±0.02 (0.5) ANGLES ± 5°

UNLESS OTHERWISE SPECIFIED,  
ALL DIMENSIONS ARE GIVEN  
IN INCHES, THIRD ANGLE PROJECTION.

REV	DATE	BY	CHK	DESCRIPTION	ECN	R	CUST	SUP	DRAWN BY	MAT'L:	SCALE	DWG NO.	DWG SIZE
2	7/9/02	JAD		UPDATED .195(4.95) DIMENSION LINE	GB0239EP	2			AJV	SEE TABLE	NONE	GB0239EP	A
									DATE				
									12/17/96				
									CHK'D				