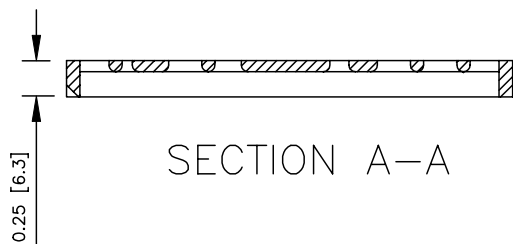
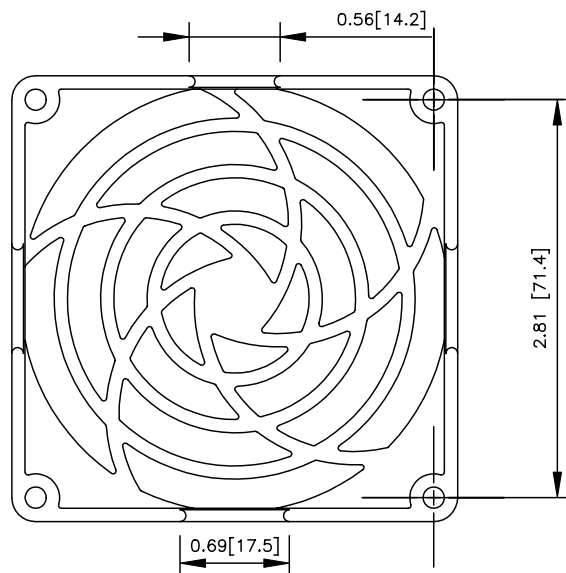
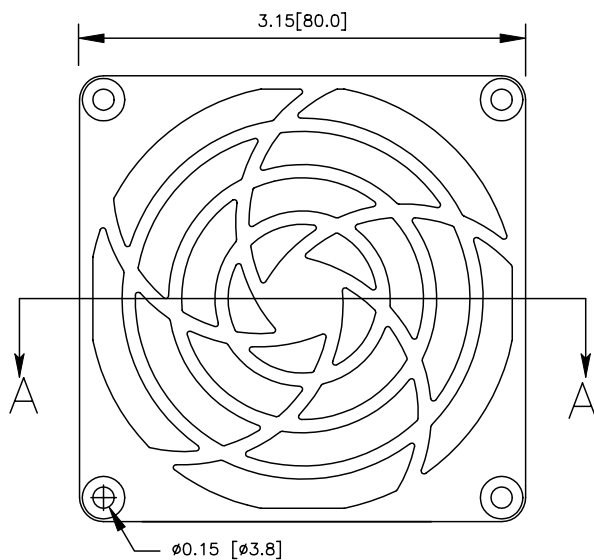


		Revision		
Rev.	Description	Date	Approved	



Dim range (mm)	Tolerance +/- (mm)	Qualtek Electronics Corp. FAN-S DIVISION		
		Part Number: 09325-G		
0-1	0.15	Description:		
1-6	0.20	PLASTIC FAN GUARD		
6-18	0.30	Material: GE NORYL N-190 UL 94V0	Unit: Inch(mm)	Rev A
18-50	0.50	Drawn/Date	Checked/Date	Approved/Date
50-120	0.70	B.ZHANG 10-10-03	LG/10-10-03	JJH/10-10-03
120-250	0.90			
250-500	1.20			