

Switch Language

English

Need Assistance?

- Contact Us
- Find a Distributor
- Order Samples
- Tech Library

Printer-friendly page

Email this page

[Home](#) [PCB Headers](#) [Datasheet](#)

Part Number: 0705530004

Status: Active

Description: 2.54mm (.100") Pitch SL(TM) Header, Low Profile, Single Row, Right Angle, .120" Pocket, Shrouded, 5 Circuits, 0.38μm (15μ") Gold (Au) Selective Plating, Tin (Sn) PC Tail Plating

Documents:

Note - Please disable browser pop-up blockers for documents on www.molex.com

[Drawing \(PDF\)](#)

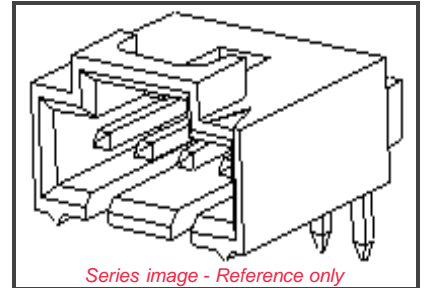
[Product Specification PS-70400 \(PDF\)](#)

[Product Specification PS-70541 \(PDF\)](#)

[3D Model](#)

[Packaging Specification \(PDF\)](#)

[Related Catalog Page \(PDF\)](#)



Order Products:

[Check Distributor Inventory](#)

[Add to My Parts](#)

[Request Samples](#)

Part Detail: [\(show all\)](#)

| | | | |
|-------------------------|--------------------------|----------------------------|-------------------------------|
| General | Physical | Electrical | Material Info |
|-------------------------|--------------------------|----------------------------|-------------------------------|

General

| | |
|----------------|---------------|
| Product Family | PCB Headers |
| Series | 70553 |
| Application | Wire-to-Board |
| Product Name | SL™ |

Physical

| | |
|--------------------------------|--------------------------------|
| Breakaway | No |
| Circuits (Loaded) | 5 |
| Circuits (maximum) | 5 |
| Color - Resin | Black |
| Durability (mating cycles) min | 50 cycles |
| Flammability | 94V-0 |
| Guide to Mating Part | Yes |
| Lock to Mating Part | Yes |
| Material - Metal | Brass |
| Material - Metal | Phosphor Bronze |
| Material - Plating Mating | Gold |
| Material - Plating Termination | Tin |
| Material - Resin | High Temperature Thermoplastic |
| Number of Rows | 1 |
| Orientation | Right Angle |
| PC Tail Length (in) | 0.130 In |
| PC Tail Length (mm) | 3.30 mm |
| PCB Locator | No |
| PCB Retention | None |
| PCB Thickness Recommended (in) | 0.062 In |
| PCB Thickness Recommended (mm) | 1.60 mm |
| Packaging Type | Tube |
| Pitch - Mating Interface (in) | 0.100 In |
| Pitch - Mating Interface (mm) | 2.54 mm |
| Plating min: Mating (uin) | 15 |

EU RoHS

ELV and RoHS Compliant

China RoHS



Need more information on product compliance?

Email productcompliance@molex.com

Please visit the [Contact Us](#) section for any non-product compliance questions.

Duration at Max. Process Temperature (seconds) 3

Lead-free Process Capability Wave Capable (TH only)

Max. Cycles at Max. Process Temperature 1

Process Temperature max. C 260

Search Parts in this Series

[70553 Series](#)

Mates With

[70066n](#), [70066g](#), [70430g](#), [70400g](#)
Housing

| | |
|--------------------------------|-----------------|
| Plating min: Mating (um) | 0.375 |
| Plating min: Termination (uin) | 75 |
| Plating min: Termination (um) | 1.875 |
| Polarized to Mating Part | Yes |
| Shrouded | Fully |
| Stackable | No |
| Temperature Range - Operating | -40°C to +105°C |
| Termination Interface: Style | Through Hole |

Electrical

| | |
|-------------------|-----------|
| CSA | LR19980 |
| Current - Maximum | 3.000 Amp |
| UL | E29179 |
| Voltage - Maximum | 250V |

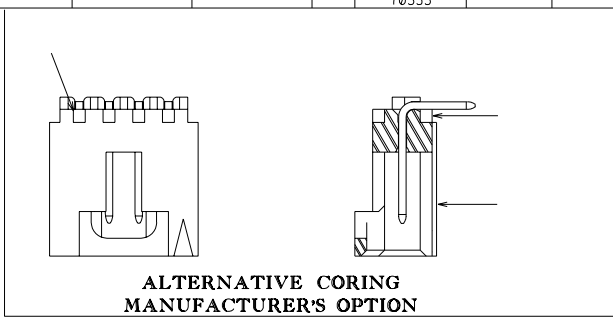
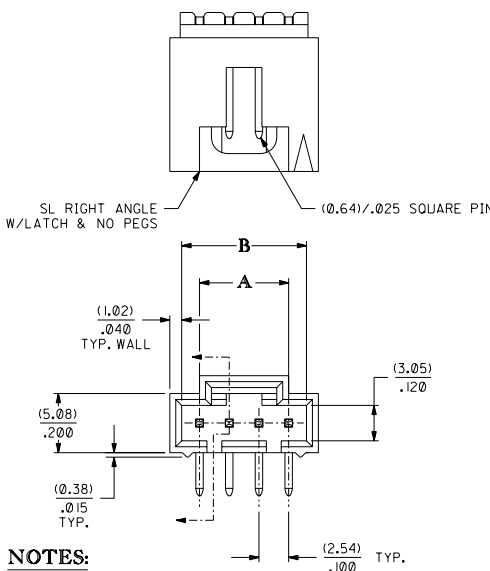
Material Info

| | |
|-----------------|--------------|
| Old Part Number | A-70553-0004 |
|-----------------|--------------|

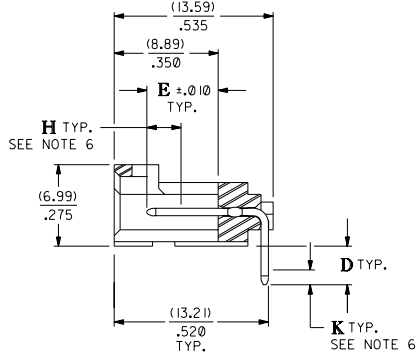
Reference - Drawing Numbers

| | |
|-----------------------|----------------|
| Product Specification | PS-70400 |
| Product Specification | PS-70541 |
| Sales Drawing | SDA-70553-**** |

13 12 11 10 9 8 7 6 5 4 3 2 1



| CKT. SIZE | DIM. "A" | | DIM. "B" | |
|-----------|----------|-------|----------|-------|
| | MM | IN. | MM | IN. |
| 2 | 2.54 | .100 | 5.33 | .210 |
| 3 | 5.08 | .200 | 8.13 | .320 |
| 4 | 7.62 | .300 | 10.67 | .420 |
| 5 | 10.16 | .400 | 13.21 | .520 |
| 6 | 12.70 | .500 | 15.75 | .620 |
| 7 | 15.24 | .600 | 18.29 | .720 |
| 8 | 17.78 | .700 | 20.83 | .820 |
| 9 | 20.32 | .800 | 23.37 | .920 |
| 10 | 22.86 | .900 | 25.91 | 1.020 |
| 11 | 25.40 | 1.000 | 28.45 | 1.120 |
| 12 | 27.94 | 1.100 | 30.99 | 1.220 |
| 13 | 30.48 | 1.200 | 33.53 | 1.320 |
| 14 | 33.02 | 1.300 | 36.07 | 1.420 |
| 15 | 35.56 | 1.400 | 38.61 | 1.520 |
| 16 | 38.10 | 1.500 | 41.15 | 1.620 |
| 17 | 40.64 | 1.600 | 43.69 | 1.720 |
| 18 | 43.18 | 1.700 | 46.23 | 1.820 |
| 19 | 45.72 | 1.800 | 48.77 | 1.920 |
| 20 | 48.26 | 1.900 | 51.31 | 2.020 |
| 21 | 50.80 | 2.000 | 53.85 | 2.120 |
| 22 | 53.34 | 2.100 | 56.39 | 2.220 |
| 23 | 55.88 | 2.200 | 58.93 | 2.320 |
| 24 | 58.42 | 2.300 | 61.47 | 2.420 |
| 25 | 60.96 | 2.400 | 64.01 | 2.520 |



NOTES:

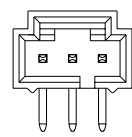
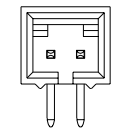
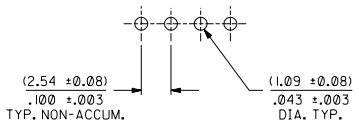
1. HEADER MATERIAL: GLASS FILLED POLYESTER; UL94V-0; COLOR: BLACK
PIN MATERIAL: PHOSPHOR BRONZE
2. HEADER TO BE USED WITH OPTION 'G' 70400 AND 70430 SERIES SL CONNECTORS.
3. REFER TO MOLEX PRODUCT SPECIFICATION PS-70541.
4. STANDARD PACKAGING IN TUBES PER PK-70873-0015 OR OPTIONAL PACKAGING IN BAGS PER PK-70873-0535. OPTIONAL PACK NOT AVAILABLE FOR ALL CKT. SIZES.
5. DIMENSIONS WITHOUT TOLERANCE ARE SHOWN FOR REFERENCE ONLY.
6. MEASURE POINT FOR PLATING THICKNESS.

PLATING:

- TIN - .000150 MINIMUM TIN PLATE OVER .000050 MINIMUM NICKEL PLATE.
- 15 GOLD - .000015 MINIMUM GOLD PLATE IN SELECT AREA, .000075 MINIMUM TIN PLATE IN SELECT AREA, OVER .000050 MINIMUM NICKEL PLATE OVERALL.
- 30 GOLD - .000030 MINIMUM GOLD PLATE IN SELECT AREA, .000075 MINIMUM TIN PLATE IN SELECT AREA, OVER .000050 MINIMUM NICKEL PLATE OVERALL.

*THE PRIMARY SHIPPING CARTON WILL BE LABELED *COMPLIANT TO RoHS DIRECTIVE 2002/95/EC AND ELV ANNEX II OF DIRECTIVE 2000/53/EC*. CARTONS WITHOUT THIS LABEL MAY CONTAIN PRODUCT WITH LEAD.

RECOMMENDED PC BOARD LAYOUT
(FOR USE WITH (1.57) / .062 THICK BOARD)



| | |
|---|---------------|
| 3 | H |
| 2 | H |
| 1 | H |
| | MFG, SH, REV. |

| | | | | | |
|--|--|--|--|--|--|
| G REMOVED -0071-0094 PER UDT2002-0981 RSFOX 02/03/11 | | DIMENSIONS SHOWN (METRIC) INCH UNLESS OTHERWISE SPECIFIED TOLERANCES ANGULAR ± 1/32° | | REVISIONS ONLY ON CAD SYSTEM | |
| F ADDED TOLERANCES PER UDT2001-0723 JRWILLIAMS 01/04/24 | | INCH METRIC 2 PLACE ± .005 ± 0.13 3 PLACE ± .01 ± 0.25 | | TITLE SALES ASSY, SL RIGHT ANGLE HEADER W/LATCH & NO PEGS (2.54) / .100 CENTERS | |
| H LEAD FREE ECN* UCP2004-1512 RWWHITE 04/02/12 | | E MODIFIED HOUSING MATERIAL CALLOUT ECN* UDT1999-0669 DMORGAN 99/04/26 | | MOLEX INCORPORATED SHEET NO. DATE LIT/EA/L 60532 U.S.A. 1 OF 3 05/13/93 | |
| LTR. REVISIONS | | LTR. REVISIONS | | PART NO. SEE SHT 283 DRWG. NO. SDA-70553-***** FILE NAME 570553X1 NO DRAWING CONTACT INFORMATION CALL OR E-MAIL TO MOLEX INC. AND SHOULD NOT BE USED WITHOUT WRITTEN PERMISSION. DA C | |

13 12 11 10 9 8 7 6 5 4 3 2 1

| CIRCUIT SIZE | ENGINEERING NUMBER A-70553 | MANUFACTURE RELEASE STATUS | D REF. | E ± .010 | PLATING TYPE | 70553 | | CONNECTOR END PLATING | | P.C. BOARD END PLATING | | SEE PACK INFORMA. DRAWING PK-70873 |
|--------------|-------------------------------|----------------------------------|-----------|-------------|--------------|-------|------------|-----------------------|------------|------------------------|--|---|
| | | | | | | TYPE | H MEAS. | TYPE | K MEAS. | | | |
| 2-10 | -0001-0009 | R.F.M. | (3.30) | (6.10) | 15 GOLD | GOLD | (2.54) | | TIN | (1.27) | | -0015 (TUBES) |
| 11-25 | -0010-0024 | R.F.M. | .130 | .240 | | | | | | | | |
| 2-10 | -0036-0044 | R.F.M. | (3.30) | (6.10) | TIN | TIN | (2.54) | | TIN | (1.27) | | -0015 (TUBES) |
| 11-25 | -0045-0059 | R.F.M. | .130 | .240 | | | | | | | | |
| 2-10 | -0106-0114 | R.F.M. | (3.30) | (6.10) | 30 GOLD | GOLD | (2.54) | | TIN | (1.27) | | -0015 (TUBES) |
| 11-25 | -0115-0129 | R.F.M. | .130 | .240 | | | | | | | | |
| 2-10 | -0141-0149 | R.F.M. | (2.67) | (6.10) | 15 GOLD | GOLD | (2.54) | | TIN | (1.27) | | -0015 (TUBES) |
| 11-25 | -0150-0159 | R.F.M. | .105 | .240 | | | | | | | | |
| 2-10 | | | | | | | | | | | | |
| 11-25 | | | | | | | | | | | | |

| CIRCUIT SIZE | ASSEMBLY ITEM NUMBER | ASSEMBLY ITEM NUMBER | ASSEMBLY ITEM NUMBER | ASSEMBLY ITEM NUMBER | ASSEMBLY ITEM NUMBER | ASSEMBLY ITEM NUMBER |
|--------------|----------------------|----------------------|----------------------|----------------------|----------------------|----------------------|
| 2 | 70553-0001 | 70553-0036 | 70553-0106 | 70553-0141 | | |
| 3 | 70553-0002 | 70553-0037 | 70553-0107 | 70553-0142 | | |
| 4 | 70553-0003 | 70553-0038 | 70553-0108 | 70553-0143 | | |
| 5 | 70553-0004 | 70553-0039 | 70553-0109 | 70553-0144 | | |
| 6 | 70553-0005 | 70553-0040 | 70553-0110 | 70553-0145 | | |
| 7 | 70553-0006 | 70553-0041 | 70553-0111 | 70553-0146 | | |
| 8 | 70553-0007 | 70553-0042 | 70553-0112 | 70553-0147 | | |
| 9 | 70553-0008 | 70553-0043 | 70553-0113 | 70553-0148 | | |
| 10 | 70553-0009 | 70553-0044 | 70553-0114 | 70553-0149 | | |
| 11 | 70553-0010 | 70553-0045 | 70553-0115 | 70553-0150 | | |
| 12 | 70553-0011 | 70553-0046 | 70553-0116 | 70553-0151 | | |
| 13 | 70553-0012 | 70553-0047 | 70553-0117 | 70553-0152 | | |
| 14 | 70553-0013 | 70553-0048 | 70553-0118 | 70553-0153 | | |
| 15 | 70553-0014 | 70553-0049 | 70553-0119 | 70553-0154 | | |
| 16 | 70553-0015 | 70553-0050 | 70553-0120 | 70553-0155 | | |
| 17 | 70553-0016 | 70553-0051 | 70553-0121 | 70553-0156 | | |
| 18 | 70553-0017 | 70553-0052 | 70553-0122 | 70553-0157 | | |
| 19 | 70553-0018 | 70553-0053 | 70553-0123 | 70553-0158 | | |
| 20 | 70553-0019 | 70553-0054 | 70553-0124 | 70553-0159 | | |
| 21 | 70553-0020 | 70553-0055 | 70553-0125 | 70553-0160 | | |
| 22 | 70553-0021 | 70553-0056 | 70553-0126 | 70553-0161 | | |
| 23 | 70553-0022 | 70553-0057 | 70553-0127 | 70553-0162 | | |
| 24 | 70553-0023 | 70553-0058 | 70553-0128 | 70553-0163 | | |
| 25 | 70553-0024 | 70553-0059 | 70553-0129 | 70553-0164 | | |

X IN COLUMN UNDER *ASSEMBLY ITEM NUMBER * HEADING DENOTES TOOLING NOT AVAILABLE

| | | | |
|------|-------------|--|---------------|
| H | SEE SHEET I | DIMENSIONS SHOWN (METRIC) INCH | REVISIONS |
| G | SEE SHEET I | UNLESS OTHERWISE SPECIFIED | |
| F | SEE SHEET I | TOLERANCES ANGULAR ± 1/2° | |
| D | SEE SHEET I | INCH METRIC | |
| BI | SEE SHEET I | 3 PLACE ± .005 ± 0.13 | |
| B | SEE SHEET I | 2 PLACE ± .01 ± 0.25 | |
| A | SEE SHEET I | 1 PLACE ± .025 | |
| LTR. | REVISIONS | DRAFT WHERE APPLICABLE MUST REMAIN WITHIN DIMENSIONS | |
| | | DRG. BY: AAB | CHKD. BY: AAB |
| | | APP'D. WAZ | SCALE: 1:1 |

REVISIONS ONLY ON CAD SYSTEM

TITLE: SALES ASSY, SL RIGHT ANGLE HEADER W/LATCH & NO PEGS (2.54)/.100 CENTERS

MOLEX INCORPORATED SHEET NO. 2 DATE 05/13/93

SEE CHART SDA-70553-*****

NO DRAWING CONTAINS INFORMATION THAT IS PROPRIETARY TO MOLEX INC. AND SHOULD NOT BE USED WITHOUT WRITTEN PERMISSION. DA

| 13 | 12 | 11 | 10 | 9 | 8 | 7 | 6 | 5 | 4 | 3 | 2 | 1 |
|----|----|----|----|---|---|---|---|---|---|---|---|---|
|----|----|----|----|---|---|---|---|---|---|---|---|---|