

**Models 6869-180, 6869-300**  
**XLR Plug / Jack (3-pin) Cable 15 feet, 25 feet**



Model 6869-180\*, -300\*: XLR Plug/Jack Cable 15 feet, 25 feet

\*Length of cable only.

## Connect your audio applications

### Features

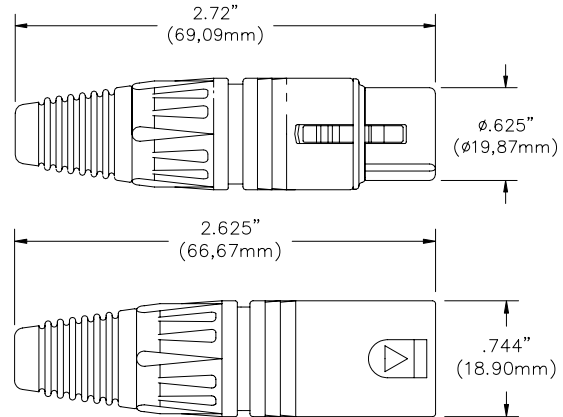
- Audio cable includes 3-pin male and female connectors.
- Black streamlined profile with compact shell. Rugged construction.
- Flexible and soft low-noise cable.

### Materials

- XLR connector bodies are die-cast zinc alloy with tarnish resistant black-nickel finish.
- Strain relief clamp designed for durability: POM (Polyoxymethylene).
- Contacts are gold-plated brass.
- Cable is made of soft PVC low-noise microphone cable.

### Ordering Information

Model: 6869-180, 6869-300



### Specifications

Cable Type	Soft PVC low noise microphone cable.
Cable Lengths	6869-180: 180 in (15 ft or 4.572 meters) 6869-300: 300 in (25 ft or 7.62 meters)
Cable O.D.	6.0 mm (0.24 in)