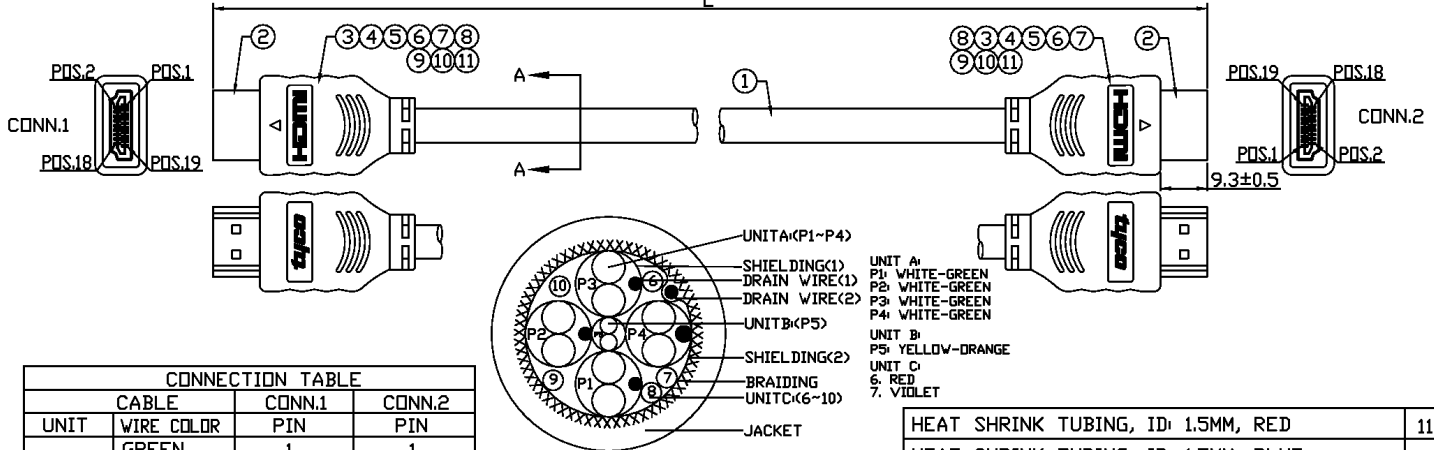


DWG. NO. C-1770019

THIS DRAWING IS UNPUBLISHED. RELEASED FOR PUBLICATION.
 © COPYRIGHT BY ALL RIGHT RESERVED.



CONNECTION TABLE			
UNIT	CABLE WIRE COLOR	CONN.1 PIN	CONN.2 PIN
A (BROWN)	GREEN	1	1
	DRAIN WIRE	2	2
	WHITE	3	3
A (RED)	GREEN	4	4
	DRAIN WIRE	5	5
	WHITE	6	6
A (GREEN)	GREEN	7	7
	DRAIN WIRE	8	8
	WHITE	9	9
A (BLUE)	GREEN	10	10
	DRAIN WIRE	11	11
	WHITE	12	12
C	RED	13	13
C	VIOLET	14	14
C	WHITE	15	15
C	GREEN	16	16
B	YELLOW	17	17
	ORANGE	18	18
C	BLUE	19	19
	SHIELD BRAID	SHELL	SHELL

SECTION A-A

1770019-8	5000±50
1770019-7	1500±20
1770019-6	1000±20
1770019-5	750±10
1770019-4	500±10
1770019-3	250±10
1770019-2	3000±30
1770019-1	2000±20
P/N	L

HEAT SHRINK TUBING, ID: 1.5MM, RED	11
HEAT SHRINK TUBING, ID: 1.5MM, BLUE	10
HEAT SHRINK TUBING, ID: 1.5MM, BROWN	9
SHELL, FOR HDMI	8
ACETATE TAPE, COLOR: BLACK, T:0.22MM, W:10MM, L:50MM	7
HEAT SHRINK TUBING, ID: 2.5MM, BLACK	6
HEAT SHRINK TUBING, ID: 0.7MM, BLACK	5
PVC, 40P, COLOR: BLACK	4
HEAT SHRINK TUBING, ID: 1.5MM, BLACK	3
HDMI 19PIN PLUG, CONTACT: GOLD FLASH, INSULATION: BLACK, SHELL: NICKEL PLATED	2
UL20276 (1P*30AWG+DRAIN+AL/MYLAR)*4+30AWG*1P +28AWG*5C+AL/MYLAR+DRAIN+BRAID, COLOR: BLACK	1

DESCRIPTION ITEM NO.

LOC HY DIST

F1	REVISED PER ECO-11-005027	19APR11	RK	HMR
LTR	REVISION RECORD	DATE	DWN	APVE

DIMENSIONS: MM	TOLERANCES UNLESS OTHERWISE SPECIFIED	SIZE A3	SCALE -	SHEET 1 OF 2	REV F1	
\varnothing	0 PLC ± 1 PLC ± 2 PLC ± 3 PLC ±	DWN M.TSAI	ENG. JPI	NAME		
ANGLES ±	<input checked="" type="checkbox"/> SURFACE TEXTURE	CHK J.PI	CHK	DRAWING NO.		
		APVD J.CHEN			C-1770019	
						CUSTOMER DRAWING

4

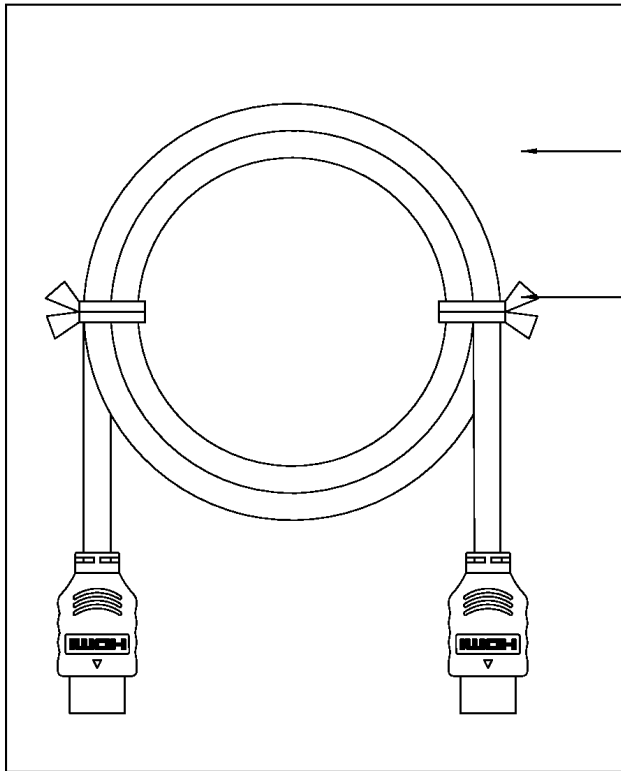
3

2

1

DWG. NO.
C-1770019

THIS DRAWING IS UNPUBLISHED. RELEASED FOR PUBLICATION.
 © COPYRIGHT BY ALL RIGHT RESERVED.



← 1PCS/PE BAG

← MINI TIE

1770019-8	5000±50
1770019-7	1500±20
1770019-6	1000±20
1770019-5	750±10
1770019-4	500±10
1770019-3	250±10
1770019-2	3000±30
1770019-1	2000±20
P/N	L

LDC
HY
DIST

	SEE SHEET 1			
LTR	REVISION RECORD	DATE	DWN/APVE	

DIMENSIONS: MM TOLERANCES UNLESS OTHERWISE SPECIFIED: 0 PLC ± 1 PLC ± 2 PLC ± 3 PLC ± ANGLES ± SURFACE TEXTURE ✓		SIZE A3 SCALE — DWN M.TSAI CHK J.PI APVD J.CHEN	SHEET 2 OF 2 REV F1 ENG. J.PI CHK	STE CONNECTIVITY NAME CABLE ASSY, HDMI DRAWING NO. C-1770019 CUSTOMER DRAWING
---	--	---	--	---

4 | 3 | 2 | 1

D
C
B
A