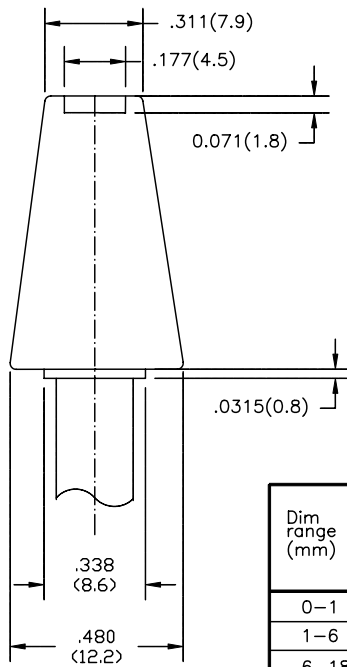
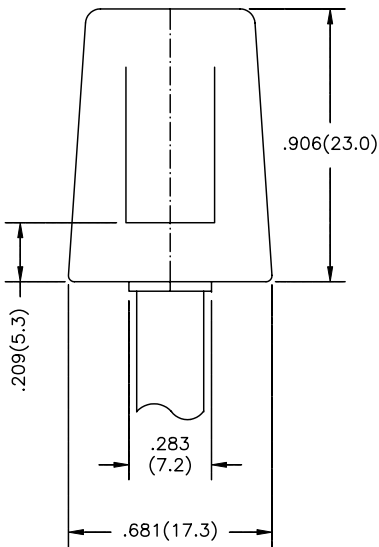
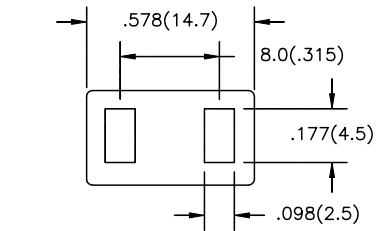


Revision			
Rev.	Description	Date	Approved



Note:

1. UL & CSA certified.
2. Rated: 7A 300V
3. Material:
Body: PVC
Cord: SPT-1 18AWG/2C
Terminal: Brass(Nickel plated)
4. Cordage Length: 36"
5. Termination: Blunt Cut

Dim range (mm)	Tolerance +/- (mm)	Qualtek Electronics Corp.		
		FAN-S DIVISION		
Part Number: 07100-36		Description:		
0-1		MOLDED FAN CORD FEMALE STRAIGHT		
1-6				
6-18				
18-50				
50-120		Drawn/Date	Checked/Date	Approved/Date
120-250		B.ZHANG	01-23-03	JJH/01-23-03
250-500		01-23-03		