



NA1394-6



Due to the rising digitisation the interface problems between audio/video networks, IT equipment (e.g. Mac) and mLAN connections increase.

Neutrik's Firewire feedthrough type 1394a, mounted in the standardized D-shape housing, solves this problem.

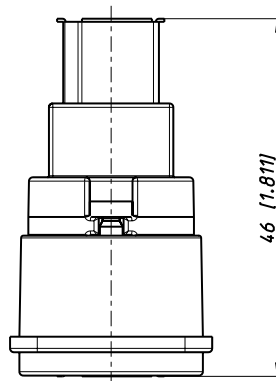
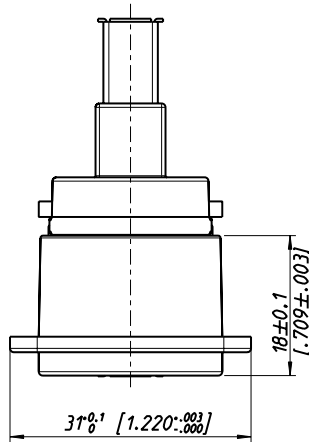
Firewire 6 with IEEE 1394 6-pol receptacles on both ends, Nickel D-housing

Features & Benefits

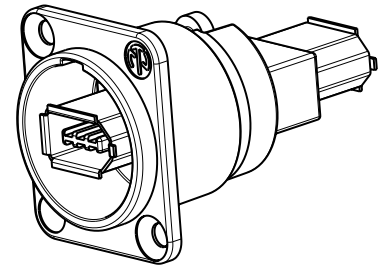
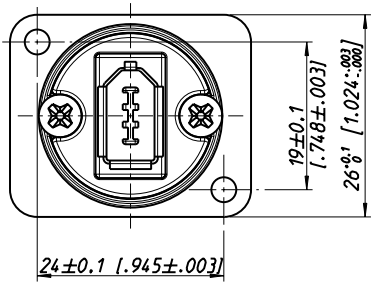
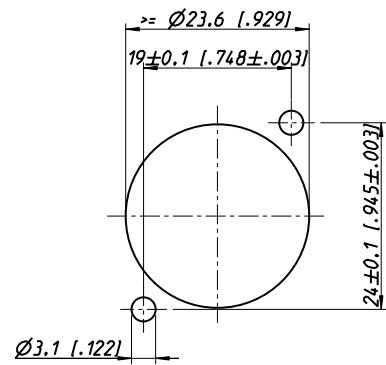
- Ideal for audio networking and integration of digital equipment into audio systems
- Firewire feedthrough with 6 pole IEE 1394 receptacle at both ends
- Universally accepted standard D-shape housing

ACCESSORIES





Frontplattenschnitt (Rückseite)
Panel cut out (rear side)

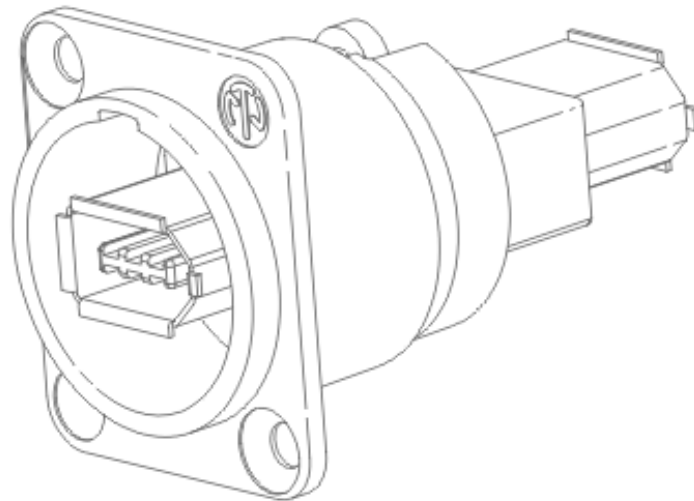


Allgemeintoleranzen ISO 2768-m	Werkstoff	Massstab:	Datum	Name
Zeichnung urheberrechtlich geschützt (DIN 34) (C)	-	2:1 (A3)	29.09.04	Mijatovic
Benennung			Gezeichnet	-
			Freigegeben	-
			Geändert	-
			Aend.-Nr.	Aend.-Index
			Ersatz fuer:	Blatt 1 von 1 Bl.
			Zeichn. Nr.	ST-NA1394-6
NEUTRIK AG FL-9494 SCHAAN				



Firewire

NA1394-6



There are no technical infos for this product.

Product

Connector Type	Firewire
Gender	female

Electrical

Contact resistance	< 30 m Ω (mated pair)
Dielectric strength	0,5 kVdc (1 min)
Insulation resistance	> 0.1 G Ω
Rated current per contact	1,5 A
Rated voltage	< 40 V dc

Mechanical

Insertion force	< 35 N
Withdrawal force	> 10 N
Lifetime	> 1500 mating cycles
Chassis shape	D

Material

Contact plating	Au
Contacts	CuZn36

Insert	Polyamide (PA 6)
Shell	Zinc diecast (ZnAl4Cu1)
Shell plating	Nickel
Environmental	
Flammability	UL 94 V-0
Temperature range	-25 °C to +85 °C
Optical	
Mobile Cables	