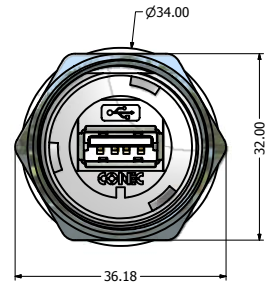
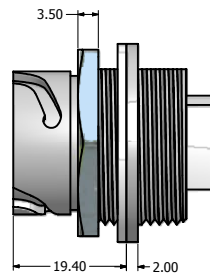
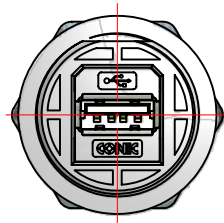
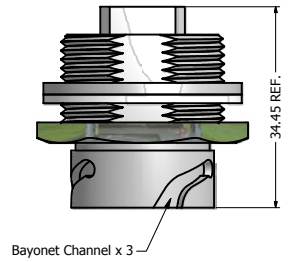
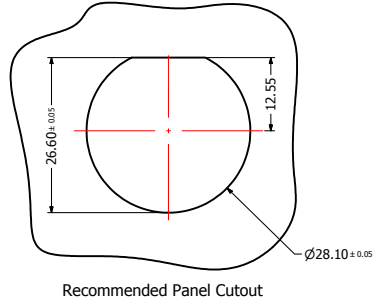
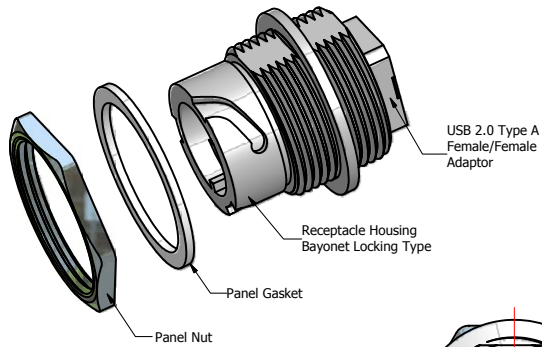


6 5 4 3 2 1



Notes:

- Electrical Specifications:
 - Meets USB 2.0 Specification
 - Contact Resistance: 30 mOhm max.
 - Insulation Resistance: 1000 MOhm min. @ 100 VDC
 - Current Rating: 1.5 A max. at 25°C
 - Working Voltage: 30 V (RMS) max.
 - DWV: 500 VAC/60s at sea level
 - Operating Temperature: -40°C to +85°C

2. Material and Finish:

- Receptacle Housing: Polyester (Black), UL94 V-0
- Panel Nut: Brass, Finish: Nickel Plated
- Panel Gasket: Silicone, Color: White
- USB Adaptor Insulator: PBT, UL94 V-0, Black
- USB Adaptor Metal Shell: Copper Alloy, Nickel Plated
- USB Adaptor Overmold material: PBT UL94 V-0, Color: Black
- USB Contacts: Copper Alloy, Finish: 30 u" Gold min. over Nickel

- Connector can be front or rear mounted to a maximum panel thickness of 3.2 mm.
- RoHS compliant

Pin-Assignment

Type A F	Type A F
Pin1 -----	Pin1
Pin2 -----	Pin2
Pin3 -----	Pin3
Pin4 -----	Pin4
Shell -----	Shell

Directive 2002/95/EC
"RoHS"
Compliant

THIS DRAWING AND THE CONEC PARTS IDENTIFIED THEREIN ARE UNCLASSIFIED AND MAY NOT BE REPRODUCED OR TRANSMITTED IN ANY FORM OR BY ANY MEANS, ELECTRONIC OR MECHANICAL, INCLUDING PHOTOCOPYING, RECORDING, OR BY ANY INFORMATION STORAGE AND RETRIEVAL SYSTEM, WITHOUT THE WRITTEN PERMISSION OF CONEC CORPORATION.	Customer:		Tolerance Unless otherwise specified		Autodesk Inventor	Scale: 1.5:1	Dim. in mm	
	Name	Title	Approval Date	0 PLC ±0.10 1 PLC ±0.38 2 PLC ±0.25 3 PLC ±0.10 ANGLES ±3°		Material: See Notes		
	2008	Date	Name	Draw.	Sept. 09	Vincent Ke	Title: IP67 USB Receptacle Assembly Kit with USB 2.0 Type A F/ F Adaptor	
		Appd.	Sept. 09	J. Chaudry	Norm		Drawing No.: 39K1A361	DIN A3
	D-old					Part No.: 17-200001	Sheet 1/1	
	a	original						
	Rev.	Changes	Date	Name				

6 5 4 3 2 1