



USB



NAUSB-B

Due to the rising digitisation the interface problems between audio/video networks, IT equipment, MP3 camcorders, etc. increase. Neutrik's reversible USB gender changer, mounted in the standardized D-shape housing, solves this problem.

Reversible USB genderchanger (type A and B), Black D-housing

Features & Benefits

- Ideal for audio networking and integration of computerbased equipment into audio systems
- USB gender changer type A-B (B-A)
- Reversible insert offering type A or B on front or rear end
- Universally accepted standard D-shape housing

ACCESSORIES



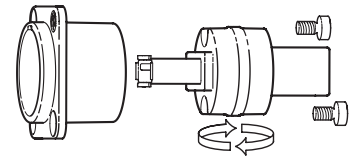
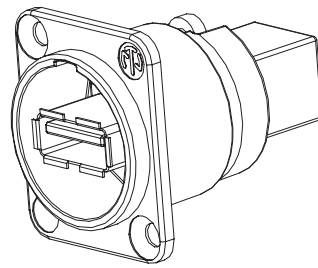
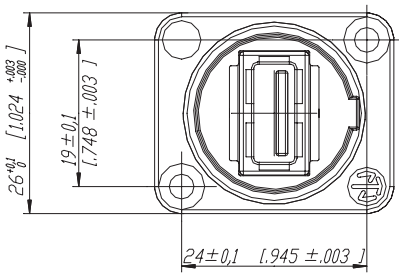
Deutsche Version

- Home
- About Us
- Products
- Support
- News
- Sitemap

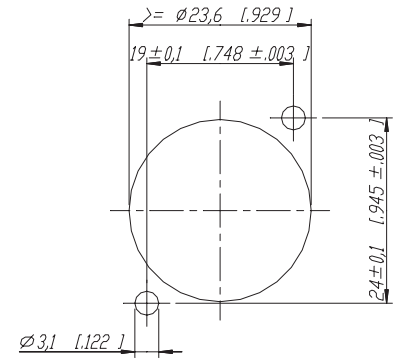
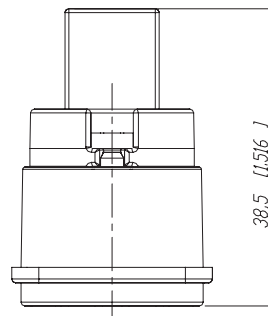
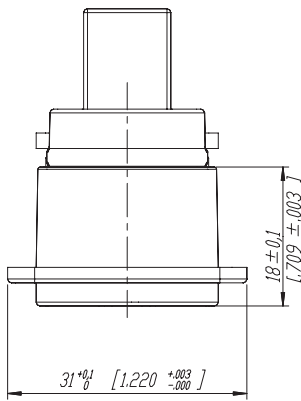
Search

Products only

© Neutrik® AG
All rights reserved
Legal Notices



Frontplattensusschnitt (Rückseite)
Panel cut out (rear side)

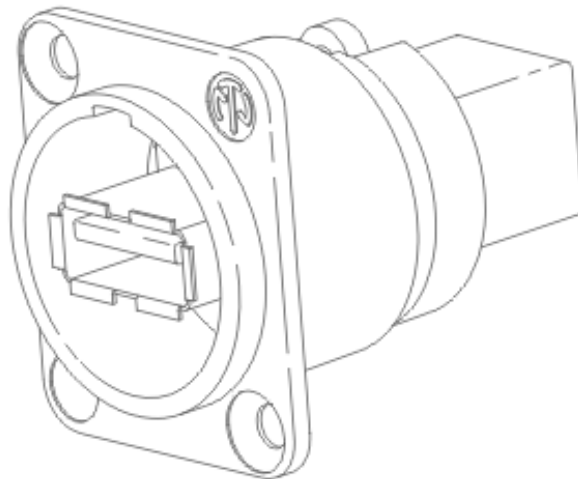


Allgemeintoleranzen ISO 2768-m	Werkstoff	Maßstab	Gezeichnet	Datum	Name
Zeichnung urheberrechtlich geschützt (DIN 34) (C)	-	2:1 (A3)	Freigegeben	25.06.04	Dobler
			Gekändert	-	-
Benennung			Änd.-Nr.	Änd.-Index	
NAUSB Feed Through			-	-	
			Ersatz fuer:	Blatt 1 von 1 Bl.	
NETZWERKE AG FL-9494 SCHAAN			Zeichn. Nr.	ST-NAUSB	



USB

NAUSB-B



There are no technical infos for this product.

Product	
Connector Type	USB
Gender	female
Electrical	
Contact resistance	< 30 m Ω (mated pair)
Dielectric strength	0,5 kVdc (1 min)
Insulation resistance	> 1 G Ω
Rated current per contact	1,5 A
Rated voltage	< 30 V ac
Mechanical	
Insertion force	< 35 N
Withdrawal force	> 10 N
Lifetime	> 1500 mating cycles
Mounting direction	front
Chassis shape	D
Material	
Contact plating	Au
Contacts	CuZn36