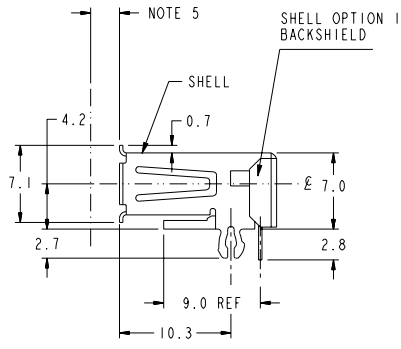
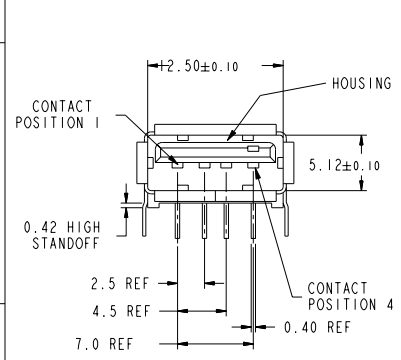
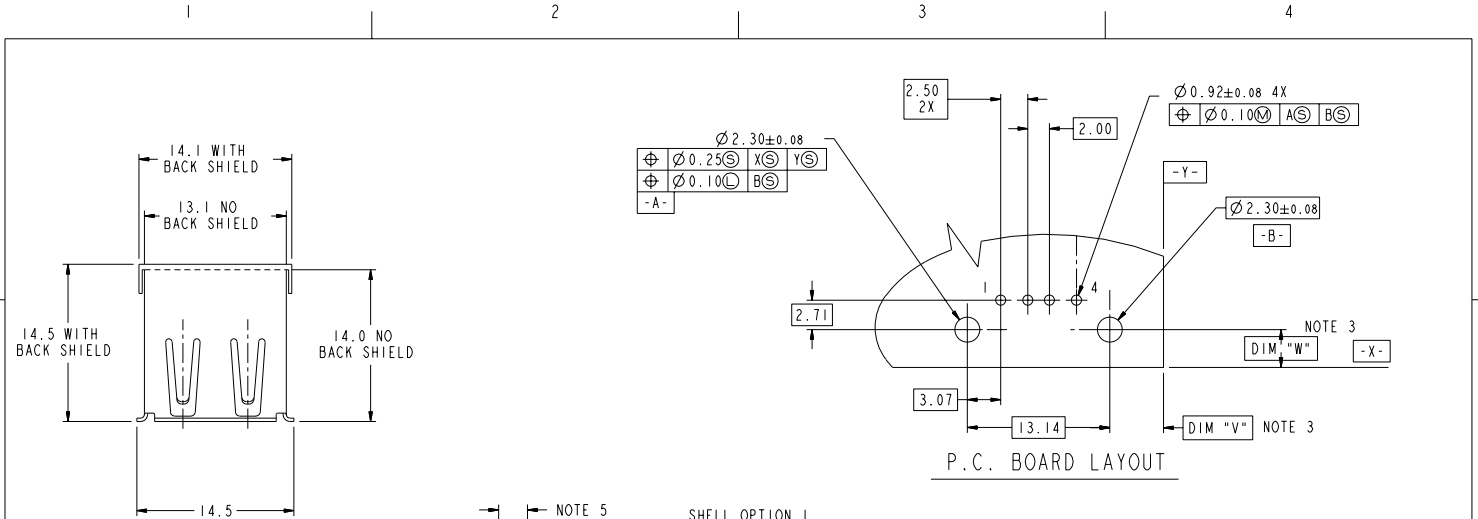




Copyright FCJ.



- NOTES:
- MATERIAL:  
CONTACTS: COPPER ALLOY  
SHELL: COPPER ALLOY  
HOUSING: UL 94V-0 RATED THERMOPLASTIC;
  - PLATING:  
CONTACTS: SEE PRODUCT NUMBER CODE  
SHELL: SEE PRODUCT NUMBER CODE;
  - DATUM AND BASIC DIMENSIONS ESTABLISHED BY CUSTOMER;
  - RECOMMENDED PC BOARD THICKNESS OF 1.57mm (EXCEPT STYLE 5 1.20mm)
  - 2.67mm MAXIMUM PANEL THICKNESS IF MOUNTED BEHIND PANEL;
  - CONTACT PLATING CODE OPTION 1 DOES NOT MEET THE PLATING SPECIFIED PER UNIVERSAL SERIAL BUS SPECIFICATION REVISION 1.0;
  - PRODUCT SPEC GS-12-095 & PACKAGING SPEC GS-14-393;
  - COMPLIED WITH USB 2.0 & TID NUMBER 60000204;
  - 87520-1010XX, -1012XX, 3010XX, -3012XX, -5010XX, -6010XX AND -7010XXLF DURABILITY MET 5000 CYCLES THE OTHER DASH NUMBER MEET USB 2.0 DURABILITY 1500 CYCLES.  
(TO BE CONTINUED)

www.fciconnect.com		surface	tolerance std	projection	MM
		ANGULAR	0.x ±0.3	size	A4
		LINEAR	0.xx ±0.2	Scale	4.000
		0° ±3°	0.xxx ±	ECN	
		Product family		Spec ref	
Dr	FUSSELMAN	3/1/96			
Eng	J. DAVID	3/1/96			
Chr	J. DAVID	6/5/96			
Appr	J. DAVID	6/5/96			
rev	ecn no	dr	date		
AJ	N09-0133	R.B	04/28/2009		
AF	N07-0176	WG	07/31/07		
AG	N08-0012	R.B	2008/01/23		
AR	N08-0238	R.B	2008/11/03		
FCJ		USB RECEPTACLE		87520	Rev. AJ
catalog no		CUSTOMER		sheet 1 of 3	

PRODUCT NUMBER CODE

87520- X X X X X P X LF

BASE PRODUCT NUMBER

HOUSING COLOR AND SHELL PLATING OPTIONS

- 0 - WHITE+SHELL TIN & NICKEL PLATING
- 1 - BLACK+SHELL TIN & NICKEL PLATING
- 2 - WHITE+SHELL NICKEL PLATING ONLY
- 3 - BLACK+SHELL NICKEL PLATING ONLY
- 4 - WHITE FR50 + SHELL TIN & NICKEL PLATING FOR NON LEAD FREE P/N'S  
CHANGE WHITE FR50 TO WHITE PA46 FOR LEAD FREE P/N'S
- 5 - BLACK NYLON 66 + SHELL TIN & NICKEL PLATING FOR NON LEAD FREE P/N'S  
CHANGE BLACK NYLON 66 TO BLACK PA46 FOR LEAD FREE P/N'S
- 6 - WHITE FR50+SHELL TIN & NICKEL PLATING FOR NON LEAD FREE P/N'S  
CHANGE WHITE FR50 TO WHITE PA46 FOR LEAD FREE P/N'S
- 7 - WHITE PA46+SHELL TIN & NICKEL PLATING

SHELL TYPE OPTION

- 0 - NO BACK SHIELD, SEE STYLE 1 FOR DURABILITY 1500 CYCLES  
SEE STYLE 4 FOR DURABILITY 5000 CYCLES
- 1 - BACK SHIELD, SEE STYLE 2
- 2 - PARTIAL BACK SHIELD, SEE STYLE 3
- 5 - NO BACK SHIELD, SEE STYLE 4 WITH HIGH PERFORMANCE MATERIAL  
FOR DURABILITY 12,000 CYCLES, NI PLATING ONLY

MOUNTING HOLE OPTIONS

- 1 - NONE

TERMINAL PLATING OPTION

- 0 - 1.25um Ni UNDERPLATE  
0.76um GXT CONTACT AREA  
2.50um TIN/LEAD TAIL AREA FOR P/N'S
- 2 - 1.25um Ni UNDERPLATE  
0.76um /30u" GOLD CONTACT AREA  
2.50um TIN/LEAD TAIL AREA FOR P/N'S

PACKAGING OPTIONS

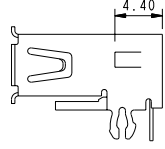
- A - TAPE AND REEL
- B - TUBES

DATE CODE

- SPECIAL OPTION:  
S: PANASONIC ONLY  
B: FOR 1.20mm THICKNESS PCB

LEAD FREE OPTION

P/N'S WITH SUFFIX "LF" MEAN LEAD FREE PRODUCT  
FOR LEAD FREE P/N, CHANGE ALL ORIGINAL TIN/LEAD PLATING TO PURE TIN PLATING

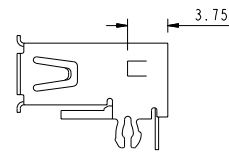


STYLE 4 WITHOUT BACK SHELL

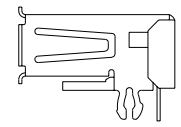
- FOR 87520-1010XXLF  
-1012XXLF  
-3010XXLF  
-3012XXLF  
-5012XXLF  
-6010XXLF  
-7010XXSLF  
-3S10XPLF  
-3S12XPBLF

AVAILABLE PART NUMBER LIST

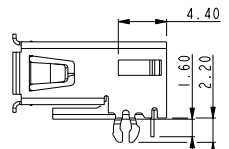
- 87520-0010XXLF
- 87520-0012XXLF
- 87520-0210XXLF
- 87520-1010XXLF
- 87520-1012XXLF
- 87520-0110XXLF
- 87520-0112XXLF
- 87520-1110XXLF
- 87520-1112XXLF
- 87520-2010XXLF
- 87520-2012XXLF
- 87520-2110XXLF
- 87520-2112XXLF
- 87520-2210XXLF
- 87520-3010XXLF
- 87520-3012XXLF
- 87520-3110XXLF
- 87520-3112XXLF
- 87520-4010XXLF
- 87520-4110XXLF
- 87520-5010XXLF/5010XXSLF
- 87520-5110XXLF
- 87520-6010XXLF
- 87520-7010XXSLF
- 87520-3010APBLF
- 87520-3S10XPLF
- 87520-3S12XPBLF
- 87520-3S12XPBLF



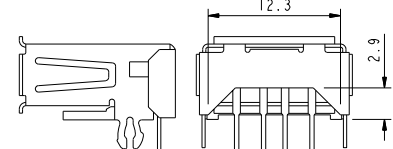
STYLE 1 WITHOUT BACK SHELL



STYLE 2 WITH BACK SHELL



STYLE 5 WITHOUT BACK SHELL  
FOR 1.20mm THICKNESS PCB  
87520-3X10APBLF



STYLE 3 WITH PARTIAL BACK SHELL

- (CONTINUED)
- 10. PACKING STANDARD GS-14-920 WILL BE APPLIED FOR LEAD FREE P/N'S;
  - 11. FOR LEAD FREE P/N, THE PRODUCT MEET EUROPEAN UNION DIRECTIVES AND OTHER COUNTRY REGULATION AS DESCRIBED IN GS-22-008;
  - 12. THE HOUSING WILL WITHSTAND EXPOSURE TO 260°C PEAK TEMPERATURE FOR 40 SECONDS IN A CONVECTION, INFRO-RED OR VAPOR PHASE REFLOW OVEN;
  - 13. 87520-1010XXLF/-3010XXLF/-5010XXLF CAN WITHSTAND 2Amps CURRENT EITHER PARALLEL OR SERIALS (TESTING PLUG WITH 20 AWG WIRE);
  - 14. THE PRODUCT CAN BE USED FOR PIP PROCESS.

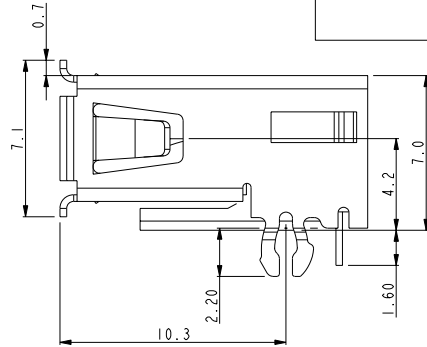
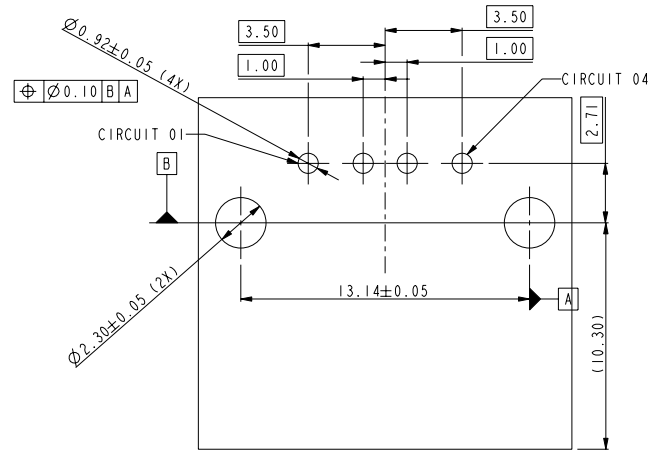
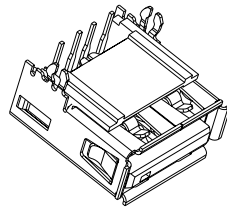
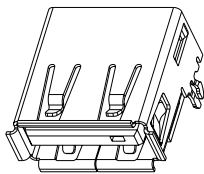
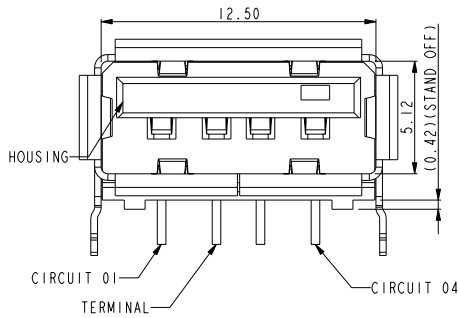
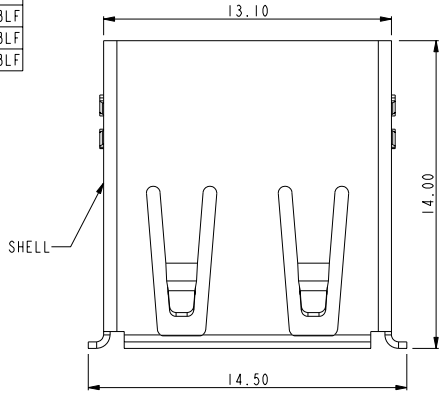
www.fciconnect.com		surface	tolerance	std	projection	MM	
		ANGULAR	LINEAR	0.X	±0.3	size	Scale
		0° ±3°		0.XX	±0.2	A4	4.000
				0.XXX	±	ECN	
Dr FUSSELMAN 3/1/96		Product family		Spec ref			
Eng J. DAVID 3/1/96							
Chr J. DAVID 6/5/96							
Appr J. DAVID 6/5/96							
FCJ		USB RECEPTACLE		87520		Rev. AJ	
catalog no		CUSTOMER		sheet 2 of 3			



Copyright FCI.

REV. 1 - 2004 04-17

PART NUMBER
87520-3010APBLF
87520-3S10XPBLF
87520-3S12XPBLF



RECOMMENDED PCB LAYOUT  
COMPONENT SIDE

www.fciconnect.com		surface	tolerance std	projection	MM
Dr FUSSELMAN 3/1/96		ANGULAR	0.x ±0.3		Scale 4.000
Eng J. DAVID 3/1/96		LINEAR	0.xx ±0.2		
Chr J. DAVID 6/5/96		0° ±3°	0.xxx ±	size A4	ECN
Appr J. DAVID 6/5/96		Product family		Spec ref	
	TITLE USB RECEPTACLE		dwg no	87520	Rev. AJ
	catalog no				

PDM: Rev:AJ

STATUS Released 4 Printed: Jul 28, 2010

REV 1 - 2004-04-07



Copyright FCI.