

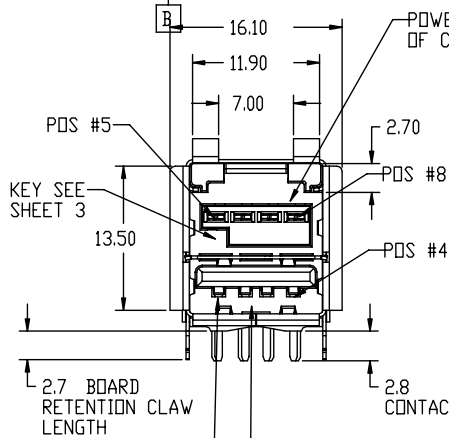
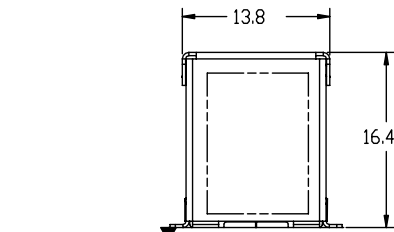
Tous droits strictement réservés. Reproduction ou communication de ces plans sans autorisation écrite de la propriété de FCJ. Droits de reproduction FCJ.



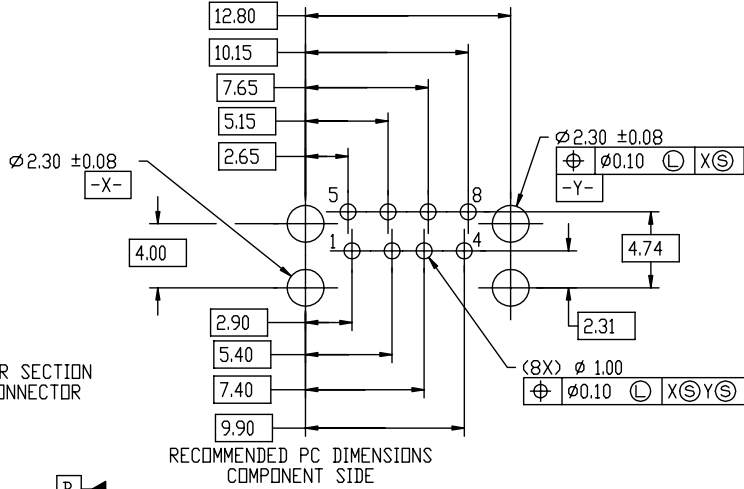
All rights strictly reserved. Reproduction or issue to third parties in any form without written authority from the proprietor. Property of FCJ. Copyright FCJ.

PRODUCT NUMBER
SEE TABLE

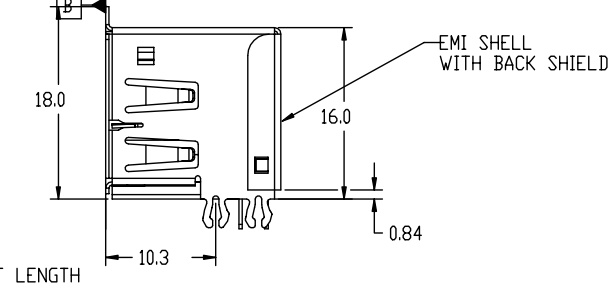
SEE SHEET 3 FOR KEYING OPTIONS



STANDARD USB SECTION OF CONNECTOR



RECOMMENDED PC DIMENSIONS COMPONENT SIDE



part code		tolerances unless otherwise specified		CUSTOMER		FCJ	
tr	ech no.	dr	date	linear	0.X ± 0.3	CDPY	www.fcjconnect.com
F	N04-0098	PH	11/09/04	linear	0.XX ± 0.20	projection	title
G	V04-1160	PH	12/07/04		XXX ± 0.100	MM	USB+POWER RECEPTACLE ASSEMBLY
H	N08-0091	tbody	5/13/08	angles	0° ± 2°	scale	product family
J	N08-0122	tbody	6/10/08	dr	RRINEHART 9/22/00	3:1	USB code
				enr	RJMACMULLIN 9/22/00		size
				chr	RJMACMULLIN 9/22/00		dwg no
				appd	RJMACMULLIN 9/22/00		55917
sheet	revision						213
index	sheet						1 of 4

1 | 2

Pro/E

3 |

cage code 22526

4

PDM: Rev:J

STATUS Released

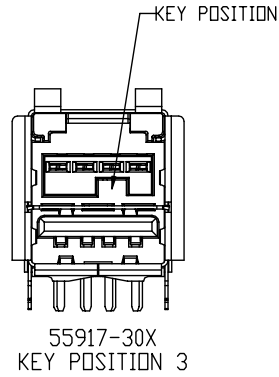
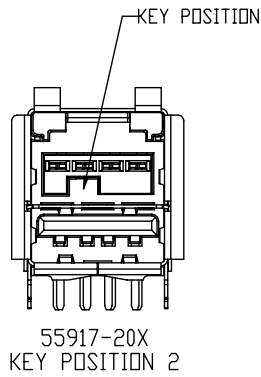
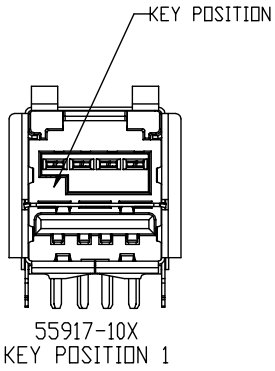
Printed: Jul 28, 2010

Tous droits strictement réservés. Reproduction ou communication à des tiers sans autorisation écrite de la propriété de FCJ. Droits de reproduction FCJ.



All rights strictly reserved. Reproduction or issue to third parties in any form without written authority from the proprietor. Property of FCJ. Copyright FCJ.

PRODUCT NUMBER
SEE TABLE



ABOVE ASSEMBLIES ARE SHOWN ONLY FOR
KEY INFORMATION, FOR ASSEMBLY INFORMATION
AND DIMENSIONS SEE PREVIOUS SHEETS

part code		-		tolerances unless otherwise specified		CUSTOMER		FCJ		www.fcjconnect.com	
itr	ecn no.	dr	date	linear	0.X ± 0.3	projection	CDPY	title	USB+POWER RECEPTACLE ASSEMBLY		
J					0.XX ± 0.20			product family	USB	code	213
				angles	XXX ± 0.100			size	dwg no	55917	sheet
				dr	0° ± 2°	scale	3:1	A			
				enr	R.RINEHART 9/22/00						
				chr	R.MACHULLIN 9/22/00						
				appd	R.MACHULLIN 9/22/00						
sheet	revision										
index	sheet										

1 | 2

Pro/E

3 |

cage code 22526

4

PDM: Rev:J

STATUS Released

Printed: Jul 28, 2010

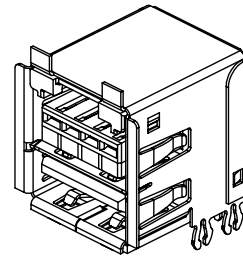
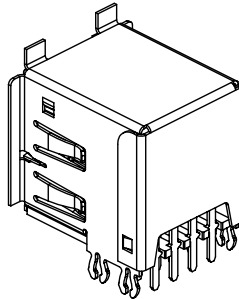
Tous droits strictement réservés. Reproduction ou communication sans autorisation écrite de FCJ. Droits de reproduction FCJ.



All rights strictly reserved. Reproduction or issue to third parties in any form without written authority from the proprietor. Property of FCJ. Copyright FCJ.

NOTES:

1. MATERIAL:
HOUSINGS: HIGH TEMP ENGINEERING PLASTIC UL 94V-0
SHIELDS: HIGH STRENGTH COPPER ALLOY, PLATING: TIN/LEAD OR TIN OVER NICKEL
TERMINALS: HIGH STRENGTH COPPER ALLOY, PLATING: NICKEL UNDERPLATING
CONTACT AREA; 30 GXT MIN
TAIL AREA; TIN/LEAD OR MATTE TIN
2. DIMENSIONS AND TOLERANCES ARE IN ACCORDANCE WITH:
ASME Y14.5M, 1994.
3. USB SECTION CONFORMS TO USB 2.0 SPECIFICATION.
4. MATING SEQUENCE WHEN MATED WITH USB+POWER PLUG
PRODUCT NUMBER 74233-XXX
5. CURRENT RATING IS 1.5 AMP PER CONTACT FOR THE STANDARD USB SECTION AND 3 OR 5 AMPS
PER CONTACT FOR THE POWER SECTION WITH ALL CONTACTS POWER (SEE PART NUMBER TABLE), SEE GS-12-130
FOR PRODUCT TEST AND PERFORMANCE INFORMATION.
6. P/N'S WITH SUFFIX 'LF' ARE LEAD FREE P/N'S
7. FOR LEAD FREE P/N, THE PRODUCT MEET EUROPEAN UNION DIRECTIVES AND OTHER COUNTRY
REGULATION AS DESCRIBED IN GS-22-008
8. THE HOUSING WILL WITHSTAND EXPOSURE TO 260°C PEAK TEMPERATURE FOR 40 SECONDS IN A
CONVECTION, INFRD-RED OR VAPOR PHASE REFLOW OVEN.
9. THIS PRODUCT IS MADE UNDER LICENSE OF IBM U.S. PATENT NO. 6334793



CONTACT NUMBER	PRODUCT DASH NUMBER 55917-			MATING SEQ.
	-10X/50XLF	-20X/60XLF	-30X/70XLF	
1	VCC	VCC	VCC	2
2	- DATA	- DATA	- DATA	3
3	+ DATA	+ DATA	+ DATA	3
4	GROUND	GROUND	GROUND	2
5	12V GROUND	24V GROUND	5V GROUND	2
6	12V	24V	5V	3
7	12V	24V	5V	3
8	12V GROUND	24V GROUND	5V GROUND	2
SHELL	SHIELD	SHIELD	SHIELD	1

part code		-		tolerances unless otherwise specified		CUSTOMER		FCJ		www.fcjconnect.com	
itr	ecn no.	dr	date	linear	0.X ± 0.3	projection	CDPY	title			
J					0.XX ± 0.20			USB+POWER RECEPTACLE ASSEMBLY			
				angles	.XXX ± 0.100		product family	size	dwg no	code	sheet
				dr	0° ± 2°	MM	USB	55917	213	3	
				enrg	R.RINEHART 9/22/00	scale	A				
				chr	R.MACMULLIN 9/22/00	1:1					
				appd	R.MACMULLIN 9/22/00						
sheet	revision										
index	sheet										

1 | 2

Pro/E

3 |

cage code 22526

4

PDM: Rev:J

STATUS Released

Printed: Jul 28, 2010

Tous droits strictement réservés. Reproduction ou communication à des tiers sans autorisation écrite de FCJ. Droits de reproduction FCJ.

All rights strictly reserved. Reproduction or issue to third parties in any form without written authority from the proprietor. Property of FCJ. Copyright FCJ.



PRODUCT NUMBER	DESCRIPTION	VOLTAGE	HOUSING COLOR	CURRENT RATING	REMARK
55917-100	RECPT. ASS'Y. KEY POSITION 1	12V	BLACK	3 AMPS	NON LEAD FREE PART,NOT AVAILABLE
55917-500LF	RECPT. ASS'Y. KEY POSITION 1	12V	BLACK	3 AMPS	LEAD FREE PART, SUBSTITUTE DF 55917-100
55917-800LF	RECPT. ASS'Y. KEY POSITION 1	12V	BLACK	5 AMPS	LEAD FREE PART, SUBSTITUTE DF 55917-500LF
55917-101	RECPT. ASS'Y. KEY POSITION 1	12V	TEAL	3 AMPS	NON LEAD FREE PART,NOT AVAILABLE
55917-501LF	RECPT. ASS'Y. KEY POSITION 1	12V	TEAL	3 AMPS	LEAD FREE PART, SUBSTITUTE DF 55917-101
55917-801LF	RECPT. ASS'Y. KEY POSITION 1	12V	TEAL	5 AMPS	LEAD FREE PART, SUBSTITUTE DF 55917-501LF
55917-200	RECPT. ASS'Y. KEY POSITION 2	24V	BLACK	3 AMPS	NON LEAD FREE PART,NOT AVAILABLE
55917-600LF	RECPT. ASS'Y. KEY POSITION 2	24V	BLACK	3 AMPS	LEAD FREE PART, SUBSTITUTE DF 55917-200
55917-000LF	RECPT. ASS'Y. KEY POSITION 2	24V	BLACK	5 AMPS	LEAD FREE PART, SUBSTITUTE DF 55917-600LF
55917-201	RECPT. ASS'Y. KEY POSITION 2	24V	RED	3 AMPS	NON LEAD FREE PART,NOT AVAILABLE
55917-601LF	RECPT. ASS'Y. KEY POSITION 2	24V	RED	3 AMPS	LEAD FREE PART, SUBSTITUTE DF 55917-201
55917-001LF	RECPT. ASS'Y. KEY POSITION 2	24V	RED	5 AMPS	LEAD FREE PART, SUBSTITUTE DF 55917-601LF
55917-300	RECPT. ASS'Y. KEY POSITION 3	5V	NATURAL	3 AMPS	NON LEAD FREE PART,NOT AVAILABLE
55917-700LF	RECPT. ASS'Y. KEY POSITION 3	5V	NATURAL	3 AMPS	LEAD FREE PART, SUBSTITUTE DF 55917-300
55917-900LF	RECPT. ASS'Y. KEY POSITION 3	5V	NATURAL	5 AMPS	LEAD FREE PART, SUBSTITUTE DF 55917-700LF

part code		-		tolerances unless otherwise specified		CUSTOMER		FCJ		www.fcjconnect.com	
itr	ecr no.	dr	date	linear	0.XX ± 0.20	projection	CDPY	title			
J					XXX ± 0.100			USB+POWER RECEPTACLE ASSEMBLY			
				angles	0° ± 2°			product family		code	
				dr	RRINEHART 9/22/00	MM		size		213	
				enrg	R.MACHULLIN 9/22/00	scale		dwg no		4	
				chr	R.MACHULLIN 9/22/00	1:1		55917		sheet	
				appd	R.MACHULLIN 9/22/00			A		4	
sheet	revision										
index	sheet										

1 | 2 Pro/E 3 | cage code 22526 4

PDM: Rev:J STATUS Released Printed: Jul 28, 2010