

Current refinements (click to remove)

[Search Tips](#)
 [Region](#) [USA](#) [Product Family](#) [Ring Terminal, Non-Insulated](#) [Text Search: 'P10-14R-L'](#)
Your search criteria matched only one product, shown below.


- Ring tongue design assures a secure connection in high vibration applications
- Internal barrel serrations assure good wire contact and maximum tensile strength
- Brazed seam protects terminal barrel from splitting during the crimp process
- Barrel of terminal internally beveled to provide quick and easy wire insertion
- UL and CSA rated up to 2000 V per UL 486
- Maximum recommended operating temperature 302°F (150°C)

‡UL and CSA approved tooling/product combinations.

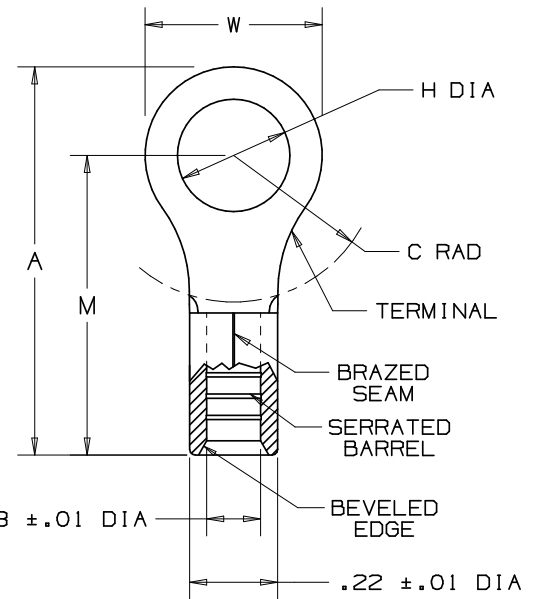
Note: Wire sizes #26 – #22 AWG, are not UL Listed or CSA Certified.

Part Number:	P10-14R-L
RoHS Compliance Status:	Compliant
Part Description:	Ring Terminal, 12 – 10 AWG, 1/4" stud size, non-insulated.
Product Type:	Terminals
CSA Certified:	Yes
UL Listed:	Yes
Length (In.):	.96
Length (mm):	24.4
Width (In.):	.52
Width (mm):	13.2
Angle:	straight
Clearance:	.38
Stock:	.04
Stud Size:	1/4"
Tool:	CT-100A‡, CT-200‡, CT-600-A‡, CT-1570‡, CT-1701‡, CT-2500‡
Wire Range:	14 – 10 AWG
Wire Range (mm ²):	2.5 - 6.0
Min. Order UOM:	PC
Min. Order Qty.:	50
BOM Qty. (# of Pkgs.)	
Add to My Catalog	

 Please [register](#) to utilize the 'Bill of Materials', 'Submit Quotes' and 'My Catalog' features.

THIS COPY IS PROVIDED ON A RESTRICTED BASIS AND IS NOT TO BE USED IN ANY WAY DETRIMENTAL TO THE INTERESTS OF PANDUIT CORP.

PANDUIT PART NUMBER	MILITARY PART NO. AND CLASS	STUD SIZE	DIMENSIONS in.				
			A $\pm .03$	W $\pm .01$	C $\pm .02$	M $\pm .03$	H $\pm .01$
P10-6R	-L -D MS25036-111 CLASS I	#6	.78 (19.8)	.31 (7.9)	.31 (7.9)	.62 (15.8)	.15 (3.8)
P10-8R	-L -D MS25036-156 CLASS I	#8	.78 (19.8)	.31 (7.9)	.31 (7.9)	.62 (15.8)	.17 (4.3)
P10-10R	-L -D MS25036-112 CLASS I	#10	.81 (20.6)	.38 (9.7)	.31 (7.9)	.62 (15.8)	.20 (5.1)
P10-14R	-L -D MS25036-157 CLASS I	1/4"	.96 (24.4)	.52 (13.2)	.38 (9.7)	.70 (17.8)	.27 (6.9)
P10-56R	-L -D MS25036-113 CLASS I	5/16"	.95 (24.1)	.52 (13.2)	.38 (9.7)	.70 (17.8)	.33 (8.4)
P10-38R	-L -D MS25036-114 CLASS I	3/8"	1.05 (26.7)	.58 (14.7)	.44 (11.2)	.75 (19.1)	.39 (9.9)
P10-12R	-L -----	1/2"	1.20 (30.5)	.72 (18.3)	.53 (13.5)	.84 (21.3)	.52 (13.2)



NOTES:

- UL LISTED AND CSA CERTIFIED FOR:
 - #14-10 AWG (2.5-6.0 mm²) SOLID OR STRANDED COPPER WIRE
 - 302°F. (150°C) MAX. TEMP. RATING
- MATERIAL:
 - STAMPING- .04" (1.02) THK. COPPER, TIN PLATED
- WIRE STRIP LENGTH- 9/32" +1/32, -0 (7.1, +.8, -0)
- PACKAGE QUANTITY: -2K = 2000 PCS.
- DIMENSIONS IN PARENTHESIS ARE IN MILLIMETERS
- INSTALLATION TOOLS:
 - UL LISTED AND CSA CERTIFIED: CT-100, CT-200, CT-1550, CT-1701
 - PANDUIT APPROVED: CT-160, CT-260

Panduit part numbers shown on this drawing meet the material requirements of RoHS (EUROPEAN DIRECTIVES 2002/95/EC) as proposed by the Technical Adaptation Committee.



A41188_07

07	8/06	DAW	DAW	ADDED MILITARY PART NUMBER & CLASS	TR00155	LCA	TRO	 TINLEY PARK, ILLINOIS NON-INSULATED, 12-10 BARREL, RINGS
06	12/02	SAC	SKB	FOR P10-12R DIM A WAS 1.22 & DIM M WAS .86	10504	LA	TRO	
05	5/02	SRB	SKB	ADDED SERRATIONS	10231	LA	TRO	
04	4/02	SRB	SKB	ADDED P10-12R	10171	LA	TRO	
REV	DATE	BY	CHK	DESCRIPTION	ECN #	CUST	PM	
								DRAWN BY: FES CHK'D: SCALE: NONE DRAWING NO.: A41188