

Current refinements (click  to remove)

[Search Tips](#)
 [Region](#) **USA**  [Product Family](#) **Butt Splice, Vinyl Insulated**  [Text Search:](#) **'BSV10X-D'**
**Your search criteria matched only one product, shown below.**

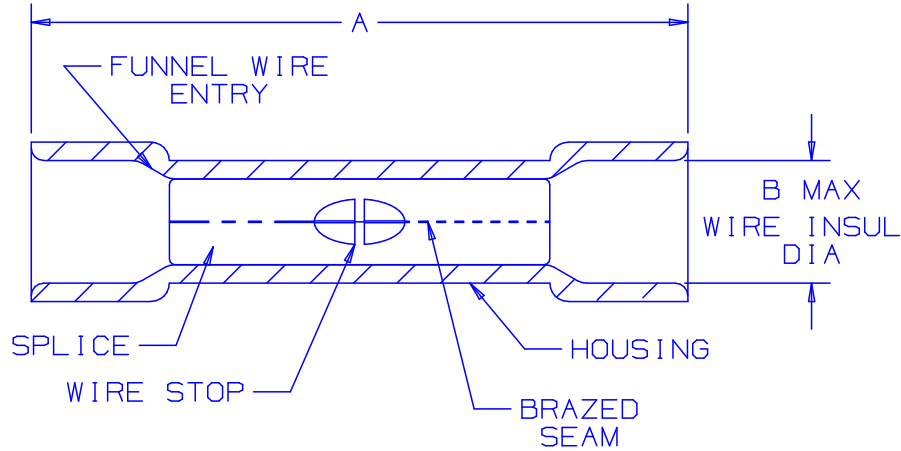

- Expanded wire entry designed to accommodate wire with a larger insulation thickness
- Designed to splice two solid or stranded wires together to repair or lengthen wires
- Brazed seam protects terminal barrel from splitting during the crimp process
- Internal wire stop assures proper length of insertion into terminal barrel
- UL Flammability UL 94V-0, maximum insulation temperature 221°F (105°C)
- UL and CSA rated up to 600 V per UL 486

Part Number:	BSV10X-D
RoHS Compliance Status:	Compliant
Part Description:	Butt Splice, 12 –10 AWG, vinyl insulated.
Product Type:	Splices
CSA Certified:	Yes
UL Listed:	Yes
Length (In.):	1.18
Angle:	straight
Max. Ins.:	.250
Panduit Color Code:	Yellow
Tool:	CT-100A, CT-600-A, CT-1550, CT-1551, CT-2500
Wire Range:	12 – 10 AWG
Wire Range (mm <sup>2</sup> ):	2.5 – 6.0
Min. Order UOM:	PC
Min. Order Qty.:	500
BOM Qty. (# of Pkgs.)	
Add to My Catalog	

 Please [register](#) to utilize the 'Bill of Materials', 'Submit Quotes' and 'My Catalog' features.

THIS COPY IS PROVIDED ON A RESTRICTED BASIS AND IS NOT TO BE USED IN ANY WAY DETRIMENTAL TO THE INTERESTS OF PANDUIT CORP.

PANDUIT PART NUMBER		WIRE RANGE	COLOR CODE	DIMENSIONS in.	
PREFIX	PK.			A ±.03	B
BSV18X	-C -M -MY	22-18 *	RED	1.03 (26,16)	.170 (4,32)
BSV14X	-C -M	16-14 **	BLUE	1.04 (26,42)	.200 (5,08)
BSV10X	-L -D	12-10 ***	YELLOW	1.18 (29,97)	.250 (6,35)



NOTES :

- UL LISTED AND CSA CERTIFIED FOR :  
A. 600 V MAX. VOLTAGE RATING  
B. 221°F (105°C) MAX. TEMP. RATING  
C. SOLID OR STRANDED, COPPER WIRE
- MATERIAL :  
A. STAMPING (22-18 & 16-14) - .03" THK COPPER, TIN PLATED  
B. STAMPING (12-10) - .04" THK COPPER, TIN PLATED  
C. HOUSING - VINYL
- DIMENSIONS IN BRACKETS ARE IN MILLIMETERS
- INSTALLATION TOOLS : CT-100, CT-500, CT-550, CT-1550, CT-1551  
(CT-500 NOT USED WITH BSV10X, 300V WITH BSV10X & CT-100)
- \* 22-16 AWG WIRE RANGE  
WITH CT-500, CT-550, CT-1550, CT-1551 TOOLS  
\*\* 18-14 AWG WIRE RANGE  
WITH CT-500, CT-550, CT-1550, CT-1551 TOOLS  
\*\*\* 12-10 AWG STRANDED AND 12 AWG SOLID  
COPPER WIRE WITH CT-1550 AND CT-1551 TOOL
- WIRE STRIP LENGTH: 5/16 +1/32, 0 (7,9 +.8, 0)
- PACKAGE QTY: STD. PKG. -L=50 BULK PKG. -D=500  
-C=100 -M=1000  
-MY=1000



LISTED  
587H  
E52164

CERTIFIED  
LR31212

07	5/05	JHNU		ADDED PACKAGING CODE "MY" TO DRAWING.							A41181_07
06	10/00	EJS	SKB	DIMENSION B IN PART BSV18X WAS .183, BSV14X WAS .211, BSV10X WAS .260	08760	JAC	CCH				 TINLEY PARK, ILLINOIS  EXPANDED VINYL INSULATED BUTT SPLICES
05	11/98	WJB	SKB	UPDATED WIRE STOPS, NOTES, & DIMS.	07265	JCJ	TRO				
4	3/95	MS	RLS	UPDATED NOTES AND DIMENSIONS	03080	LA	KS				
3	3/88	FS		REDRAWN ON CAD		LA	JB				
REV	DATE	BY	CHK	DESCRIPTION	ECN #	CUST	PM	DRAWN BY	CHK'D	SCALE	DRAWING NO.
								FES		NONE	A41181