

Switch Language

English

Need Assistance?

- Contact Us
- Find a Distributor
- Order Samples
- Tech Library

Printer-friendly page

Email this page

[Home](#) [Quick Disconnects](#) [Datasheet](#)

Part Number: 0190010010

Status: Active

Description: Avikrimp™ Quick Disconnect, Male, for 10-12 (5.00-3.30), Box, Tab 6.35mm (.250") x 0.81mm (.032")

Documents:

Note - Please disable browser pop-up blockers for documents on www.molex.com

[Drawing \(PDF\)](#)

[Related Catalog Page \(PDF\)](#)

Order Products:

[Check Distributor Inventory](#)

[Add to My Parts](#)

[Request Samples](#)

Part Detail: ([show all](#))

[General](#) [Physical](#) [Electrical](#) [Material Info](#)

General

Product Family	Quick Disconnects
Series	<u>19001</u>
Product Name	Avikrimp™
Type	Quick Disconnect

Physical

Barrel Type	Closed
Flammability	94 V-0
Gender	Male
Insulation	Nylon (PA)
Lock to Mating Part	None
Material - Metal	Brass
Material - Metal	Copper
Orientation	Straight
Packaging Type	Bag
Polarized to Mating Part	No
Tab Thickness	0.81mm (.032")
Tab Width	6.35mm (.250")
Temperature Range - Operating	-65°C to +105°C
Wire Insulation Diameter	5.84mm (.230") max.
Wire Size AWG	10
Wire Size AWG	12
Wire Size mm²	3.30 - 5.00

Electrical

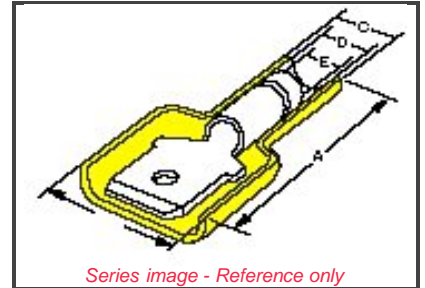
CSA	LR18689
TUV	R9071070
UL	E79133
Voltage - Maximum	300V

Material Info

Old Part Number	C-5264
-----------------	--------

Reference - Drawing Numbers

Sales Drawing	SD-19001-002
---------------	--------------



Series image - Reference only

EU RoHS

ELV and RoHS Compliant

China RoHS



Need more information on product compliance?

Email productcompliance@molex.com

Please visit the [Contact Us](#) section for any non-product compliance questions.

Search Parts in this Series

19001 Series

Use With

19002-0044, 19002-0045, 19002-0046

Application Tooling

Tooling specifications and manuals are found by selecting the products below. Crimp Height Specifications are then contained in the Application Tooling Specification document.

Global

Description	Product #
Hand Crimp Tool	<u>0640014600</u>
Crimp Head for the AT-200 Pneumatic Hand Tool	<u>0640054600</u>

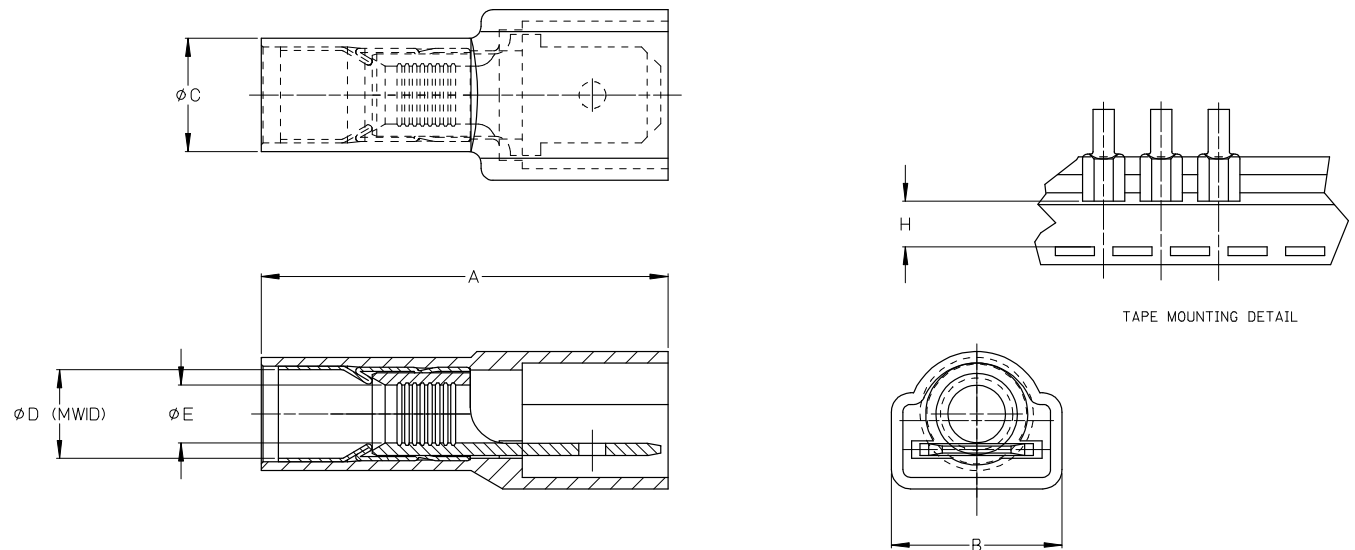
|

[Feedback](#) [Privacy](#) [Legal](#) [Site Map](#) [Help](#)

Copyright 2005-2008

19001

ASSEMBLY NUMBER		TAPE NUMBER		ITEM DESCRIPTION			DIMENSIONS					
MATERIAL NUMBER	ENGINEERING NUMBER	MATERIAL NUMBER	TAPE ENG. NUMBER	COLOR	WIRE GAUGE	TAB SIZE	'A' MAX	'B' MAX	'C' MAX	'D' MIN	'E' MIN	'H' REF
190010010	C-5264	190010011	C-5264T	YELLOW	12-10 AWG (3.09-5.01mm ²)	.250 x .032 (6.35 x 0.81)	1.08/27.4	.45/11.4	.31/7.9	.230/5.84	.144/3.66	.415/10.5



- ⓑ NOTES:
1. TERMINAL MATERIAL: BRASS
 2. TERMINAL PLATING: ZINC CHROMATE
 3. HOUSING: 6/6 NYLON
 4. MWID: MAXIMUM WIRE INSULATION DIAMETER
 5. TAB DIMENSIONS CONFORM TO UL310 SPECIFICATIONS.
 6. ASSEMBLY IS ROHS COMPLIANT

REDRAW. MATERIALS EC NO: ETC2007-0081 DRAWN BY: DRW:MHLE 2008/01/28 CHKD: JMCNEIL 2008/01/28 APPR: JMCNEIL 2008/02/13	QUALITY SYMBOLS ▽=0 ▽=0	GENERAL TOLERANCES (UNLESS SPECIFIED)		DIMENSION STYLE IN/MM ⓑ		SCALE 4:1	DESIGN UNITS INCH		THIRD ANGLE PROJECTION																					
		<table border="1"> <tr> <th></th> <th>mm</th> <th>INCH</th> </tr> <tr> <td>4 PLACES</td> <td>± .13</td> <td>± .005</td> </tr> <tr> <td>3 PLACES</td> <td>± 0.005</td> <td>± .005</td> </tr> <tr> <td>2 PLACES</td> <td>± 0.13</td> <td>± .01</td> </tr> <tr> <td>1 PLACE</td> <td>± 0.25</td> <td>± .01</td> </tr> <tr> <td colspan="3">ANGULAR ± 1/2°</td> </tr> </table>			mm	INCH	4 PLACES	± .13	± .005	3 PLACES	± 0.005	± .005	2 PLACES	± 0.13	± .01	1 PLACE	± 0.25	± .01	ANGULAR ± 1/2°			DRAWN BY ASAYDEH 2005/11/01		DATE 2005/11/01		TITLE AVIKRIMP FULLY INSULATED MALE TAB				
			mm	INCH																										
		4 PLACES	± .13	± .005																										
3 PLACES	± 0.005	± .005																												
2 PLACES	± 0.13	± .01																												
1 PLACE	± 0.25	± .01																												
ANGULAR ± 1/2°																														
DRAFT WHERE APPLICABLE MUST REMAIN WITHIN DIMENSIONS		MATERIAL NO. SEE CHART		APPROVED BY REDERROSS 2005/11/01		DATE 2005/11/01		MOLEX INCORPORATED																						
		SIZE B		THIS DRAWING CONTAINS INFORMATION THAT IS PROPRIETARY TO MOLEX INCORPORATED AND SHOULD NOT BE USED WITHOUT WRITTEN PERMISSION					DOCUMENT NO. SD-19001-002		SHEET NO. 1 OF 1																			

ib_frame_B_P_ME_1
Rev. D 2004/04/02