

Switch Language

English

Need Assistance?

Contact Us  
Find a Distributor  
Order Samples  
Tech Library

Printer-friendly page

Email this page

[Home](#)   [Splices](#)   [Datasheet](#)

**Part Number:** 0191600009

**Status:** Active

**Description:** Closed-End Insulated Splice for 12-22 AWG Wire

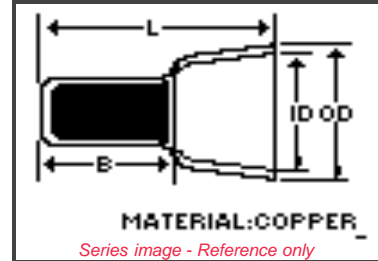
**Documents:**

*Note - Please disable browser pop-up blockers for documents on www.molex.com*

[Drawing \(PDF\)](#)

[Product Specification PS-19160-006 \(PDF\)](#)

[Related Catalog Page \(PDF\)](#)



**Order Products:**

[Check Distributor Inventory](#)

[Add to My Parts](#)

[Request Samples](#)

**Part Detail:** [\(show all\)](#)

[General](#)   [Physical](#)   [Electrical](#)   [Material Info](#)

**General**

Product Family	Splices
Series	<b>19160</b>
Mil-Spec	N/A
Product Name	Closed-End Insulated

**Physical**

Barrel Type	Closed
Flammability	94 V2
Insulation	Nylon (PA)
Packaging Type	Bag
Temperature Range - Operating	105°C
Wire Insulation Diameter	6.86mm (.270") max
Wire Size AWG	12
Wire Size AWG	14
Wire Size AWG	16
Wire Size AWG	18
Wire Size AWG	20
Wire Size AWG	22

**Electrical**

CSA	LR18689
UL	E32244
Voltage - Maximum	600V

**Material Info**

Old Part Number	NC-2212
-----------------	---------

**Reference - Drawing Numbers**

Product Specification	PS-19160-006
Sales Drawing	SD-19160-001

**EU RoHS**

**ELV and RoHS Compliant**

**China RoHS**



**Need more information on product compliance?**

Email [productcompliance@molex.com](mailto:productcompliance@molex.com)

Please visit the [Contact Us](#) section for any non-product compliance questions.

**Search Parts in this Series**

[19160 Series](#)

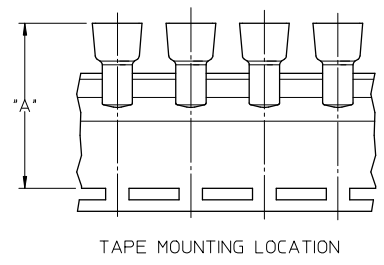
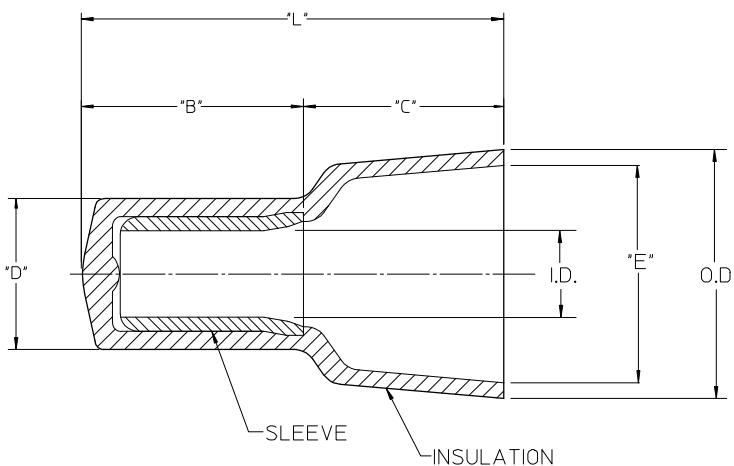
**Application Tooling**

*Tooling specifications and manuals are found by selecting the products below. Crimp Height Specifications are then contained in the Application Tooling Specification document.*

**Global**

Description	Product #
Hand Crimp Tool	<a href="#">0640010900</a>
Crimp Head for the AT-200™ Pneumatic Hand Tool	<a href="#">0640050900</a>
Crimp Head for the AT-200™ Pneumatic Hand Tool	<a href="#">0640053600</a>

LOOSE PIECE		TAPE MOUNTED		"L" MAX.	"B" ±.010/0.25	"D" MAX.	"E" MIN.	I.D. MIN.	O.D. MAX.	"A" DIM ±.015/0.38	"C" REF
MATERIAL NO.	ENG. NO.	MATERIAL NO.	ENG. NO.								
191600012	NC-2214	191600070	NC-2214T	.62/15.7⑥	.33/8.4 ⑥	.19/4.8	.24/6.1	.09/2.3	.32/8.1	1.543/39.19	.28/7.1 ⑥
191600009	NC-2212	191600071	NC-2212T	.76/19.3 ⑥	.35/8.9 ⑥	.23/5.8	.27/6.9	.10/2.5	.36/9.1	1.631/41.43	.39/9.9 ⑥
191600002	NC-1610	191600083	NC-1610T	.90/22.8	.39/9.9	.28/7.1	.38/9.6	.15/3.8	.45/11.4	1.750/44.45	.51/13.0
191600024	NC-8	191600028	NC-8T	1.10/27.9⑥	.50/12.7⑥	.36/9.1	.48/12.2	.21/5.3	.57/14.5	1.864/47.35	.60/15.2⑥



NOTES:

- MATERIAL: SLEEVE: TIN-PLATED COPPER  
INSULATION: 6/6 NYLON,  
NATURAL TRANSLUCENT
- ⑥ PARTS ARE ROHS COMPLIANT.

SALES DRAWING

<b>CORRECT DIM ERRORS</b> EC NO: WNA2008-0280 DRAWN: THRODAHL 2008/05/09 CHKD: JMACNEIL 2008/05/09 APPR: JMACNEIL 2008/05/12 DESCRIPTION REV	QUALITY SYMBOLS ▽=0 ▽=0	GENERAL TOLERANCES (UNLESS SPECIFIED) <table border="1"> <tr> <th></th> <th>mm</th> <th>INCH</th> </tr> <tr> <td>4 PLACES</td> <td>±---</td> <td>±---</td> </tr> <tr> <td>3 PLACES</td> <td>±---</td> <td>±---</td> </tr> <tr> <td>2 PLACES</td> <td>±---</td> <td>±---</td> </tr> <tr> <td>1 PLACE</td> <td>±---</td> <td>±---</td> </tr> <tr> <td colspan="3">ANGULAR ±---</td> </tr> </table>		mm	INCH	4 PLACES	±---	±---	3 PLACES	±---	±---	2 PLACES	±---	±---	1 PLACE	±---	±---	ANGULAR ±---			DIMENSION STYLE IN/MM DRAWN BY H.BEITZE DATE 04/02/23 CHECKED BY R.DEROSS DATE 04/02/23 APPROVED BY R.DEROSS DATE 04/02/23	SCALE 5:1 DESIGN UNITS INCH THIRD ANGLE PROJECTION	TITLE CLOSED END CONNECTORS NYLON INSULATED MOLEX INCORPORATED
		mm	INCH																				
	4 PLACES	±---	±---																				
	3 PLACES	±---	±---																				
2 PLACES	±---	±---																					
1 PLACE	±---	±---																					
ANGULAR ±---																							
DRAFT WHERE APPLICABLE MUST REMAIN WITHIN DIMENSIONS	MATERIAL NO. SEE CHART	DOCUMENT NO. SD-19160-001	SHEET NO. 1 OF 1																				
THIS DRAWING CONTAINS INFORMATION THAT IS PROPRIETARY TO MOLEX INCORPORATED AND SHOULD NOT BE USED WITHOUT WRITTEN PERMISSION																							