

Current refinements (click  to remove)

[Search Tips](#) 
 [Region](#) [USA](#) [Product Family](#) [Fork Terminal, Vinyl Insulated – Funnel Entry](#) [Text Search](#): 'PV14-8F-M'

Your search criteria matched only one product, shown below.


- Fork design provides for fast and easy installation, without the need to remove fastener
- Insulation support helps to prevent wire damage in bending applications
- Brazed seam protects terminal barrel from splitting during the crimp process
- UL Flammability UL 94V-0, maximum insulation temperature 221°F (105°C)
- Internal barrel serrations assure good wire contact and maximum tensile strength
- UL and CSA rated up 600 V per UL 486

‡UL and CSA approved tooling/product combinations.

Note: Wire sizes #26 – #22 AWG, are not UL Listed or CSA Certified.

Part Number:	PV14-8F-M
RoHS Compliancy Status:	Compliant
Part Description:	Fork Terminal, vinyl insulated, funnel entry, 16 – 14 AWG, #8 stud size.
Length (In.):	.90
Width (In.):	.31
Clearance:	.23
Max. Ins.:	.170
Panduit Color Code:	Blue
Stud Size:	#8
Tool:	CT-100A‡, CT-600-A‡, CT-1550‡, CT-1551‡, CT-2500‡
Wire Range:	16 – 14 AWG
Min. Order UOM:	PC
Min. Order Qty.:	1000
BOM Qty. (# of Pkgs.)	
Add to My Catalog	

 Please [register](#) to utilize the 'Bill of Materials', 'Submit Quotes' and 'My Catalog' features.

[View Content Details](#)

Evaluate

Design a Solution

Install & Maintain

Part Drawings:

 [Fork Terminals, Vinyl Insulated - Funn...](#)

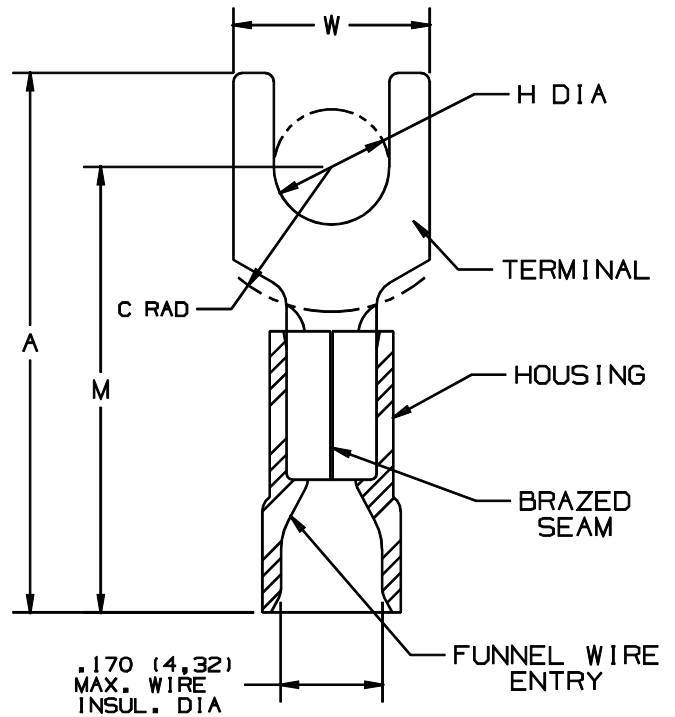
Design a Solution

Part Drawings:

 [Fork Terminals, Vinyl Insulated - Funnel Entry pdf](#)

THIS COPY IS PROVIDED ON A RESTRICTED BASIS AND IS NOT TO BE USED IN ANY WAY DETRIMENTAL TO THE INTERESTS OF PANDUIT CORP.

PANDUIT PART NUMBER	STUD SIZE	DIMENSIONS in.				
		A $\pm .03$	W $\pm .01$	C $\pm .02$	M $\pm .03$	H $\pm .01$
PV14-6F	#6	.84 (21,3)	.28 (7,11)	.19 (4,83)	.70 (17,8)	.15 (3,81)
PV14-6FN	#6	.84 (21,3)	.24 (6,10)	.19 (4,83)	.70 (17,8)	.15 (3,81)
PV14-8F	#8	.90 (22,9)	.31 (7,87)	.23 (5,84)	.74 (18,8)	.17 (4,32)
PV14-10F	#10	.92 (23,4)	.34 (8,64)	.24 (6,10)	.76 (19,3)	.20 (5,08)
PV14-10FN	#10	.92 (23,4)	.31 (7,87)	.24 (6,10)	.76 (19,3)	.20 (5,08)
PV14-14F	1/4"	1.09 (26,7)	.44 (11,2)	.32 (8,13)	.84 (21,3)	.27 (6,86)



NOTES:

- UL LISTED & CSA CERTIFIED FOR
 - 600 V. MAX. VOLTAGE RATING (1000 V. MAX. IN SIGNS, FIXTURES AND LUMINAIRES.)
 - 16-14 AWG SOLID OR STRANDED COPPER WIRE & 221°F (105°C) MAX TEMP RATING WITH THE CT-100, CT-1550, CT-1551 INSTALLATION TOOLS.
- MATERIAL:
 - STAMPING - .03 (.08) THK COPPER, TIN PLATED
 - HOUSING - VINYL, BLUE
- STRIP LENGTH 5/16 $\pm 1/32$.0
- PACKAGE QTY:
 - C=100
 - M=1000
- DIMENSIONS IN BRACKETS ARE IN MILLIMETERS.



LISTED
587H
E52164



CERTIFIED
LR31212

A41193_03

03	10/00	EJS		ADDED PART PV14-14F, REMOVED CT-500, CT-550, ADDED CT-1550, CT-1551 TO NOTE 1-B															
02	1/97	TM	RLS	TEMP RTG. FOR CT-100 WAS 167°F (75°C) REMOVED CT-250, FILESPEC WAS N41193AA_PCD_01	05469	LA	TJBU	PANDUIT CORP.		TINLEY PARK, ILLINOIS									
01	10/94	MS	RLS	UPDATED NOTES AND DIMENSIONS		LA	TKE	2PC. VINYL INSULATED, #16-14 BARREL, FORKS											
R	3/88	FS	LM	RELEASED		LA	JRB												
REV	DATE	BY	CHK	DESCRIPTION	ECN #	CUST	PM	DRAWN BY	CHK'D	SCALE	DRAWING NO.								
								FES	FES	NONE	A41193								