



Introducing .312 Series FASTON Receptacle Connectors

 **Tyco Electronics**
Our commitment. Your advantage.

.312 Series FASTON Receptacle Connectors

KEY FEATURES

- Ergonomically friendly, thumbprint design provides comfortable, contoured pushing surfaces for mating
- Configured to allow operators to recognize proper position and orientation for loading and mating
- Protected internal terminal locking feature provides secure retention and includes anti-reverse component to reduce potential for improper terminal assembly
- Housings are made from UL 94 V-2 and V-0 flammability rated nylon material
- Color coded to help prevent misapplication
- RoHS compliant

DESCRIPTIONS

An ergonomically designed, single position FASTON connector to insulate Tyco Electronics .312 series FASTON receptacles. These receptacles and connector will mate with .312 series quick connect tabs in a variety of commercial and industrial components. The connector is provided in two material and color options to address application requirements and will accept Premier or Premier Low Insertion Force receptacles

APPLICATIONS

Typical applications include:

- Residential laundry and HVAC heating elements
- Vehicle lighting applications in automotive, off highway and lawn and garden equipment.

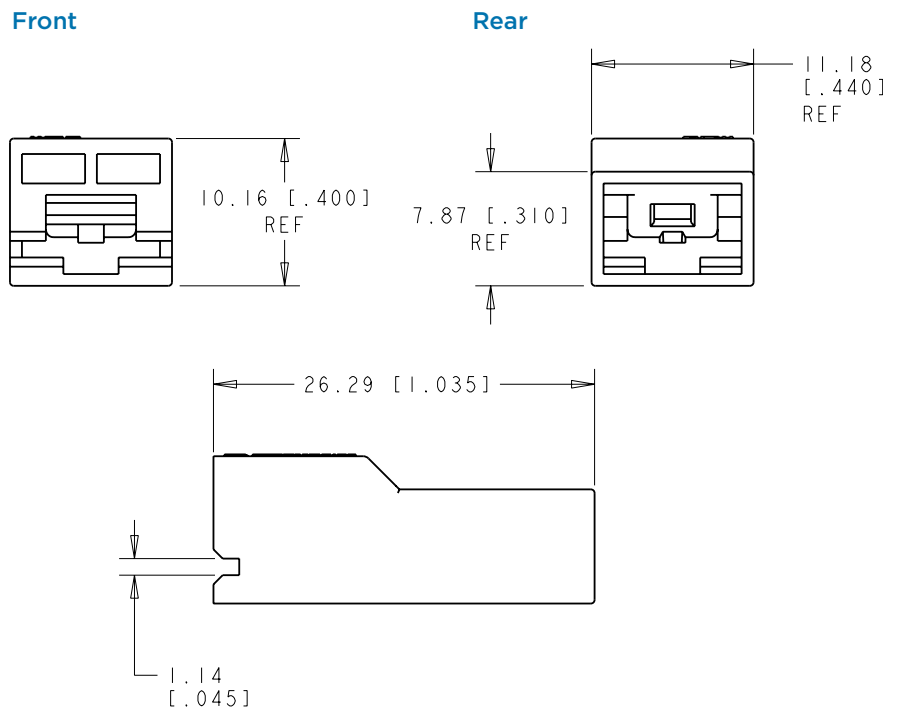
STANDARDS & SPECS

UL Recognized & CSA Certified

PRODUCT OFFERING

1969186-1 : UL 94 V-0 Nylon, Black

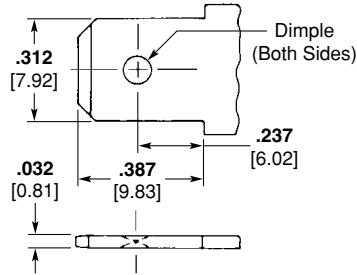
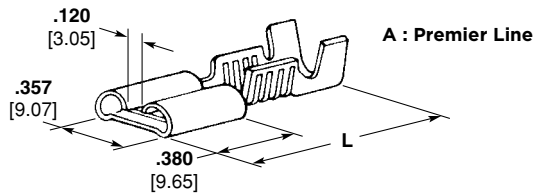
1969186-2 : UL 94 V-2 Nylon, Natural



.312 Series FASTON Receptacle Connectors

ADDITIONAL PRODUCT OFFERING

Straight Receptacles, Insulation Support



Mating .312 Series Tab Dimensions Dimple (Both Sides)

Wire Range AWG	Style	Tab Fit	Insulation Diameter	Material & Finish	Stock Thickness	Overall Length	UL	RA	SF	Terminal Part Number
18-14	A	.032 0.81	.090-.120 2.29-3.05	Brass	.016 0.41	.900 22.86	—	X	X	62092-1
16.12	A	.032 0.81	.110-.210 or (2) .110 2.79-5.33 or (2) 3.30	Brass, Tin Plated	.016 0.41	.900 22.86	—	X	X	61399-1
	A	.032 0.81	.110-.210 or (2) .110 2.79-5.33 or (2) 3.30	Brass, Tin plated	.016 0.41	.900 22.86	—	X	X	63677-1*
14-10	A	.032 0.81	.110-.210 or (2) .110 2.79-5.33 or (2) 3.30	Brass	.016 0.41	.900 22.86	—	X	X	63677-2*
	A	.032 0.81	.150-.200 3.81-5.08	Brass, Silver Plated	.018 0.46	.900 22.86	—	X	X	63820-1

*Low Insertion Force

FOR MORE INFORMATION

www.tycoelectronics.com

Technical Support

Internet:	www.tycoelectronics.com/help
USA:	+1 (800) 522-6752
Canada:	+1 (905) 470-4425
Mexico & Central America:	+ 52(0) 55-1106-0814
South America:	+55 (0) 11-2103-6000
Germany:	+49 (0) 6251-133-1999
UK:	+ 44 (0) 8706-080208
France:	+33 (0) 1-3420-8686
Netherlands:	+31 (0) 73-6246-999
China:	+86 (0) 400-820-6015

Tyco Electronics Corporation

Harrisburg, PA

tycoelectronics.com

© 2009 Tyco Electronics Corporation. All Rights Reserved.

2-1773455-0 CIS PDF 8/2009

FASTON, TE logo and Tyco Electronics are trademarks.

While Tyco Electronics has made every reasonable effort to ensure the accuracy of the information in this catalog, Tyco Electronics does not guarantee that it is error-free, nor does Tyco Electronics make any other representation, warranty or guarantee that the information is accurate, correct, reliable or current. Tyco Electronics reserves the right to make any adjustments to the information contained herein at any time without notice. Tyco Electronics expressly disclaims all implied warranties regarding the information contained herein, including, but not limited to, any implied warranties of merchantability or fitness for a particular purpose. The dimensions in this catalog are for reference purposes only and are subject to change without notice. Specifications are subject to change without notice. Consult Tyco Electronics for the latest dimensions and design specifications.

