

Switch Language

English

Need Assistance?

Contact Us  
Find a Distributor  
Order Samples  
Tech Library

Printer-friendly page

Email this page

[Home](#) [Splices](#) [Datasheet](#)

**Part Number: 0191540028**

**Status: Active**

**Description:** InsulKrimp™ Butt Splice for 10-12 AWG Wire

**Documents:**

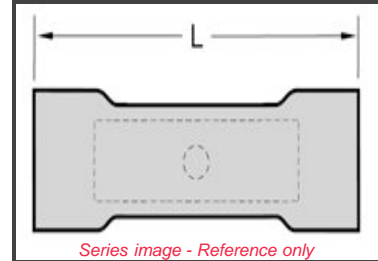
*Note - Please disable browser pop-up blockers for documents on www.molex.com*

[Drawing \(PDF\)](#)

[Product Specification PS-19902-007 \(PDF\)](#)

[Packaging Specification \(PDF\)](#)

[Related Catalog Page \(PDF\)](#)



**Order Products:**

[Check Distributor Inventory](#)

[Add to My Parts](#)

[Request Samples](#)

**Part Detail:** [\(show all\)](#)

[General](#) [Physical](#) [Electrical](#) [Material Info](#)

**General**

Product Family	Splices
Series	<b>19154</b>
Mil-Spec	N/A
Product Name	Butt
Product Name	InsulKrimp™

**Physical**

Barrel Type	Closed
Color - Resin	Natural
Flammability	94 V2
Insulation	PVC
Material - Metal	Copper
Material - Resin	PVC
Packaging Type	Bag
Temperature Range - Operating	-40°C to +105°C
Wire Insulation Diameter	6.35mm (.250") max
Wire Size AWG	10
Wire Size AWG	12
Wire Size mm²	3.30 - 5.00

**Electrical**

CSA	LR18689
UL	E32244
Voltage - Maximum	600V

**Material Info**

Old Part Number	C-246X
-----------------	--------

**Reference - Drawing Numbers**

Product Specification	PS-19902-007
Sales Drawing	6040402C

**EU RoHS**

**ELV and RoHS Compliant**

**China RoHS**



**Need more information on product compliance?**

Email [productcompliance@molex.com](mailto:productcompliance@molex.com)

Please visit the [Contact Us](#) section for any non-product compliance questions.

**Search Parts in this Series**

[19154 Series](#)

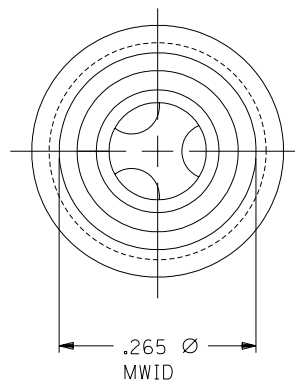
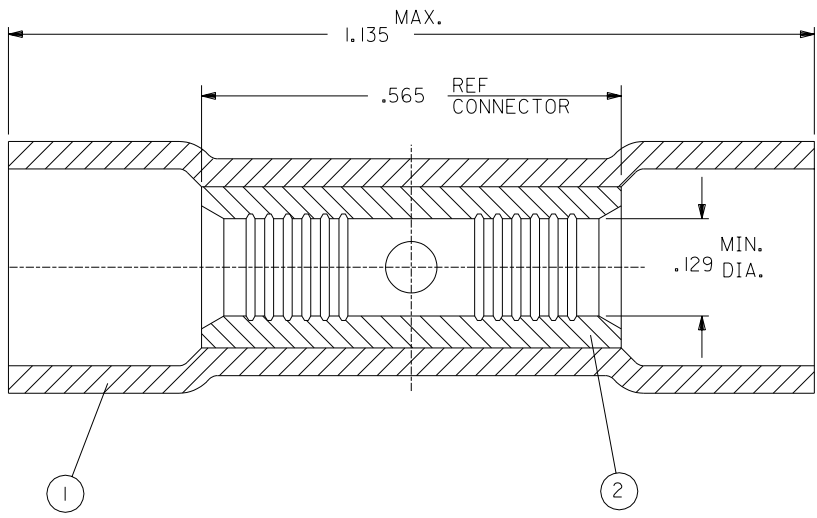
**Application Tooling**

*Tooling specifications and manuals are found by selecting the products below. Crimp Height Specifications are then contained in the Application Tooling Specification document.*

**Global**

Description	Product #
Hand Crimp Tool	<a href="#">0640010100</a>
Hand Crimp Tool	<a href="#">0640010300</a>
Hand Crimp Tool	<a href="#">0640011500</a>
Crimp Head for the AT-200™ Pneumatic Hand Tool	<a href="#">0640050100</a>
Crimp Head for the AT-200™ Pneumatic Hand Tool	<a href="#">0640050300</a>

DRWG. NO. 60404-02C



- NOTES:  
 1. COLOR CODED INSULATION, YELLOW, PVC  
 2. CONNECTOR MATERIAL: COPPER  
 3. CONNECTOR PLATING: TIN

MWID = MAX. WIRE INSULATION DIA.

LTR.	REVISIONS

DIMENSIONS SHOWN (METRIC) INCH	
UNLESS OTHERWISE SPECIFIED TOLERANCES: ANGULAR ± 1/2°	
	INCH
3 PLACE	±
2 PLACE	±
1 PLACE	±
DRAFT WHERE APPLICABLE MUST REMAIN WITHIN DIMENSIONS	
DRWG. BY	EMF
CHK'D. BY	JM
APP'D. BY	FP
SCALE	NO: NE

REVISE ONLY ON CAD SYSTEM	
TITLE BUTT SPLICE CONNECTOR INSULKRIMP 12-10 AWG.	
molex ETC INC. PINELLAS PARK, FLA. 33781 U.S.A.	SHEET NO. 1 OF 1 DATE 11/16/93
PART NO. C-246X	DRWG. NO. 60404-02C
FILE NAME 6040402C	THIS DRAWING CONTAINS INFORMATION THAT IS PROPRIETARY TO MOLEX-ETC INC. AND SHOULD NOT BE USED WITHOUT WRITTEN PERMISSION.
DIV.	SIZE A