

Current refinements (click to remove)

[Search Tips](#)
 [Region](#) **USA** [Product Family](#) **Code Conductor, One-Hole, Standard Barrel with Window Lug** [Text Search](#): 'LCA1-14-E'

Your search criteria matched only one product, shown below.

For Use with Stranded Copper Conductors

- Color-coded barrels marked with *PANDUIT* and specified competitor die index numbers for proper crimp die selection
- Inspection window to visually assure full conductor insertion
- Tin-plated to inhibit corrosion
- UL Listed and CSA Certified to 35 KV** and temperature rated to 90°C when crimped with *PANDUIT* and specified competitor crimping tools and dies
- UL Listed and CSA Certified for wide wire range-taking capability when crimped with *PANDUIT*® *Uni-Die*™ Dieless Crimping Tools†
- **Tested by Telcordia – meets NEBS Level 3**
- American Bureau of Shipping Approved

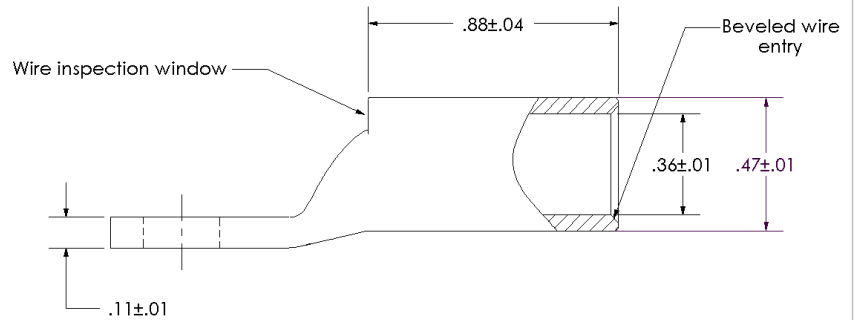
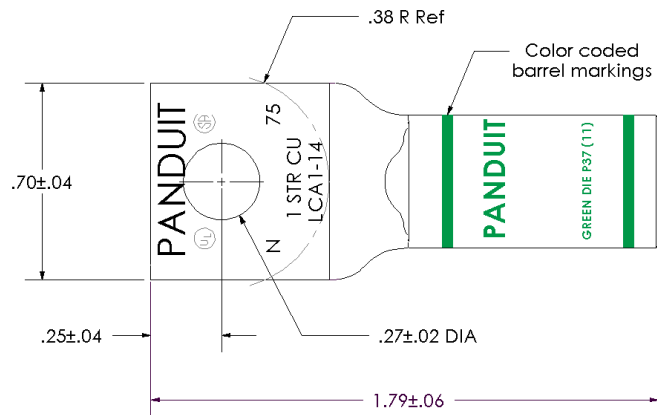

Related Products

- [Contour Crimp™ Control...](#)
- [Die Type, Manual, Crimping Tool](#)
- [CD-720 Crimping Dies](#)
- [Die Type, Manual Hydraulic, 14 Ton,...](#)
- [Die Type, Remote Hydraulic, 14 Ton,...](#)
- [Die Type, Battery Powered Hydraulic...](#)
- [More...](#)

| | |
|--------------------------|---|
| Part Number: | LCA1-14-E |
| RoHS Compliancy Status: | Compliant |
| Part Description: | One-hole, standard barrel with window lug, #1 AWG wire, 1/4" stud hole. |
| Product Type: | Compression Connectors - Lugs |
| CSA Certified: | Yes |
| UL Listed: | Yes |
| Length (In.): | 1.79 |
| Length (mm): | 45.5 |
| Copper Conductor Size: | #1 AWG |
| Stud Hole Size (In.): | 1/4 |
| Tongue Width (In.): | .70 |
| Barrel Length (In.): | .88 |
| Angle: | Straight |
| Clearance: | .38 |
| Figure No.: | 1 |
| Mechanical: | null |
| Panduit Color Code: | Green |
| Panduit Die Index No.: | P37 |
| Tongue Thickness: | .11 |
| Tongue Type: | Standard |
| Tongue Width (mm): | 17.8 |
| Wire Range (mm²): | 50 |
| Wire Strip Length (In.): | 15/16 |
| Min. Order UOM: | PC |
| Min. Order Qty.: | 1 |
| Burndy Die Index No.: | 11 |
| T&B Die Index No.: | 37 |

THIS COPY IS PROVIDED ON A RESTRICTED BASIS AND IS NOT TO BE USED IN ANY WAY DETRIMENTAL TO THE INTERESTS OF PANDUIT CORP.

| | |
|--|--|
| Material | High Conductivity Seamless Copper Tube |
| Plating | Electro-Tin |
| Wire Size | 1 AWG |
| Wire Type | Stranded Copper; Class B: Compact, Compressed or Concentric, Class C: Concentric |
| Wire Strip Length | 15/16 in. |
| Stud Size | 1/4 in. |
| UL Listed Wire Connector | Yes, for applications up to 35kv. Consult cable manufacturer for voltage stress relief instructions with applications greater than 2000 volts. |
| UL Temperature Rating | 90° C |
| C.S.A Certified Wire Connector | Yes |
| Panduit Color Code on Barrel | GREEN |
| Panduit Die Index No. on Barrel | P37 |
| Alternate Industry Die Index No. () on Barrel | (11) |



| | | | | | | |
|-----|------|-----|-----|-------------|---|--|
| | | | | | PANDUIT CORP. TINLEY PARK, ILLINOIS | |
| | | | | | LCA1-14-E Copper Lug - One-Hole, Standard Barrel | |
| 00 | 9/02 | SAB | DRL | RELEASED | 10318 | |
| REV | DATE | BY | CHK | DESCRIPTION | ECN | SCALE N/A DRAWING NO / CAD FILE LCA1-14-CUST |