

Current refinements (click to remove)

[Search Tips](#) 
 [Region](#) **USA** [Product Family](#) **Piggyback Disconnect, Vinyl Insulated** [Text Search:](#) 'DV18-250P-MY'

Your search criteria matched only one product, shown below.

- Combination of female disconnect and male tab allows versatility in points of connection
- Multiple connection points allow additional circuits to be added to existing equipment without expensive rework
- Metal insulation grip sleeve crimps to wire insulation, providing protection to the crimp joint during high vibration applications



Part Number:	DV18-250P-MY
RoHS Compliancy Status:	Compliant
Note:	DV18-250P-MY replaces DV18-250P-M
Part Description:	Piggyback Disconnect, vinyl barrel insulated, 22 – 18 AWG, .250 x .032 tab size.
Product Type:	Disconnects
Length (In.):	.88
Width (In.):	.29
Max. Ins.:	.130
Panduit Color Code:	Red
Tab Size (In.):	.250 x .032
Tool:	CT-100A, CT-260, CT-1550, CT-1551, CT-2500
Wire Range:	22 – 18 AWG
Min. Order UOM:	PC
Min. Order Qty.:	1000
BOM Qty. (# of Pkgs.)	

[Add to My Catalog](#)

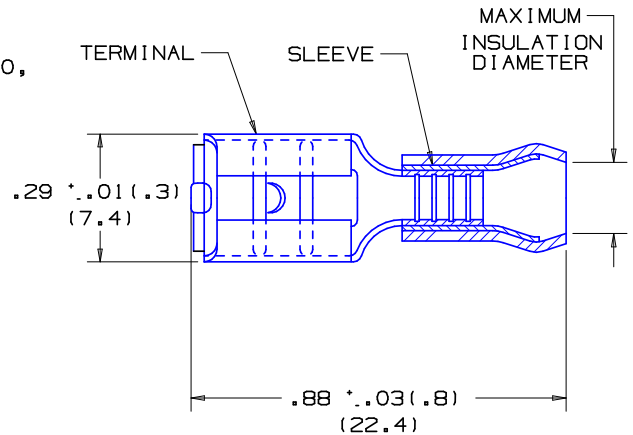
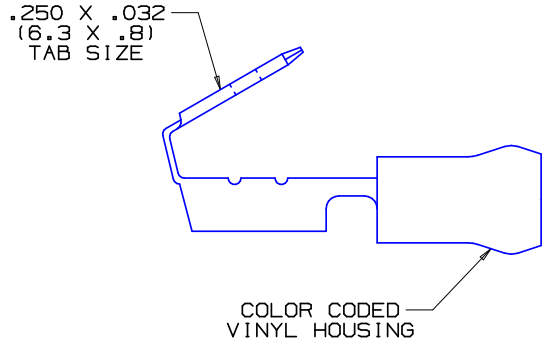
 Please [register](#) to utilize the 'Bill of Materials', 'Submit Quotes' and 'My Catalog' features.

THIS COPY IS PROVIDED ON A RESTRICTED BASIS AND IS NOT TO BE USED IN ANY WAY DETRIMENTAL TO THE INTERESTS OF PANDUIT CORP.

PANDUIT PART NO.	PK	HOUSING COLOR	WIRE RANGE	MAX INSUL DIAMETER
DV18-250P	-CY -MY	RED	#22-18	.13 (3.3)
DV14-250P	-C -M	BLUE	#16-14	.16 (4.1)

NOTES:

- 300 V. MAX. VOLTAGE RATING
- 194° F (90° C) MAX. TEMP. RATING
- FOR STRANDED COPPER WIRE ONLY-
WIRE STRIP LENGTH $1/4" \begin{smallmatrix} +1/32 \\ -0 \end{smallmatrix}$ (6.3^{+0.8}₋₀)
- PACKAGE QTY: STD. PKG. -C=100
BULK PKG. -M,-MY=1000
- RECOMMENDED INSTALLATION TOOLS: CT-100, CT-160,
CT-250, CT-500, CT-550
- DIMENSIONS IN BRACKETS ARE IN MILLIMETERS



A41208_05

05	7/06	DAW	DAW	ADDED -CY,-MY PACKAGE QTY. FOR DV18-250P	TRO0145			 TINLEY PARK, ILLINOIS .250 VINYL INSUL. PIGGYBACK DISCONNECT FOR #22-18 AND #16-14 AWG WIRE SIZES
04	1/01	KMD	SKB	CAD FILE SPEC. WAS N41208AA_PCD_03	8938	JAC	CCH	
03	10/94	MS		UPDATED NOTES AND DIMENSIONS	02551			
02	7-88	DW	MG	REDRAWN WITH REVISIONS		JRB	MAG	
REV	DATE	BY	CHK	DESCRIPTION	ECN #	CUST	PM	
								CHK'D SCALE NONE
								DRAWING NO. A41208