

Switch Language

English

Need Assistance?

Contact Us
Find a Distributor
Order Samples
Tech Library

Printer-friendly page

Email this page

[Home](#) [Quick Disconnects](#) [Datasheet](#)

Part Number: 0190190012

Status: Active

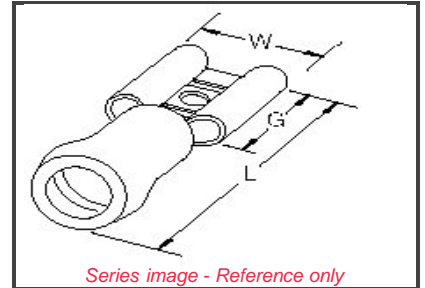
Description: Avikrimp™ Quick Disconnect, Female, for 18-22 (0.80-0.35) Wire, Box, Tab 6.35mm (.250") x 0.81mm (.032")

Documents:

Note - Please disable browser pop-up blockers for documents on www.molex.com

[Drawing \(PDF\)](#)

[Related Catalog Page \(PDF\)](#)



Series image - Reference only

Order Products:

[Check Distributor Inventory](#)

[Add to My Parts](#)

[Request Samples](#)

Part Detail: ([show all](#))

[General](#) [Physical](#) [Electrical](#) [Material Info](#)

General

Product Family	Quick Disconnects
Series	19019
Product Name	Avikrimp™
Type	Quick Disconnect

Physical

Barrel Type	Closed
Flammability	94 V0
Gender	Female
Insulation	Nylon (PA)
Lock to Mating Part	None
Material - Metal	Brass
Orientation	Straight
Packaging Type	Bag
Polarized to Mating Part	No
Tab Thickness	0.81mm (.032")
Tab Width	6.35mm (.250")
Temperature Range - Operating	-65°C to +105°C
Wire Insulation Diameter	2.90mm (.115") max.
Wire Size AWG	18
Wire Size AWG	20
Wire Size AWG	22
Wire Size mm²	0.35 - 0.80

Electrical

CSA	LR18689
UL	E79133
Voltage - Maximum	300V

Material Info

Old Part Number	AA-8140
-----------------	---------

Reference - Drawing Numbers

Sales Drawing	SD-19019-001
---------------	--------------

EU RoHS

ELV and RoHS Compliant

China RoHS



Need more information on product compliance?

Email productcompliance@molex.com

Please visit the [Contact Us](#) section for any non-product compliance questions.

Search Parts in this Series

[19019](#) Series

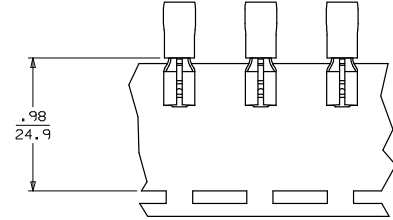
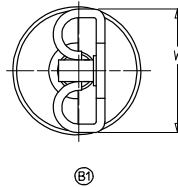
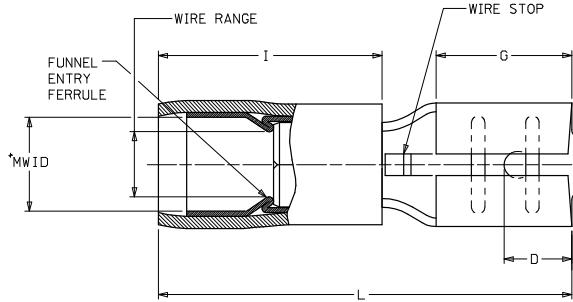
Application Tooling

Tooling specifications and manuals are found by selecting the products below. Crimp Height Specifications are then contained in the Application Tooling Specification document.

Global

Description	Product #
Hand Crimp Tool	0640010200
Hand Crimp Tool	0640011700
Crimp Head for the AT-200™ Pneumatic Hand Tool	0640050200

LOOSE PIECE		TAPE MOUNTED		SPECIFICATIONS										
MATERIAL NUMBER	ENGINEERING NUMBER	MATERIAL NUMBER	ENGINEERING NUMBER	INS. COLOR	WIRE RANGE AWG	WIRE RANGE MM ²	FITS MALE TAB SIZE	STOCK THICKNESS	"L" MAX.	"I" MAX. (B)	"W" MAX.	"D" ±.01	"G" NOM.	MWID
190190012	AA-8140	190190013	AA-8140T	RED	22-18	0.25-1.5	.250x.032 (6.35X0.81)	.016 (0.41)	.865 (21.97)	.43 (10.9)	.301 (7.65)	.156 (3.96)	.31 (7.9)	.115 (2.92)
190190031	BB-8141	190190033	BB-8141T	BLUE	16-14	1.0-2.5	.250x.032 (6.35X0.81)	.016 (0.41)	.865 (21.97)	.43 (10.9)	.301 (7.65)	.156 (3.96)	.31 (7.9)	.138 (3.51)
190190052	P-8142	190190054	P-8142T	YELLOW	14-12	1.65-4.2	.250x.032 (6.35X0.81)	.016 (0.41)	.865 (21.97)	.43 (10.9)	.301 (7.65)	.156 (3.96)	.31 (7.9)	.170 (4.32)
190190037	C-8143	190190038	C-8143T	YELLOW	10-12	4.0-6.0	.250x.032 (6.35X0.81)	.018 (0.46)	1.011 (25.68)	.57 (14.5)	.301 (7.65)	.156 (3.96)	.31 (7.9)	.225 (5.70)
190190014	AA-8190	190190016	AA-8190T	RED	22-18	0.25-1.5	.205x.020 (5.21X0.51)	.016 (0.41)	.789 (20.04)	.43 (10.9)	.251 (6.38)	.125 (3.18)	.25 (6.4)	.115 (2.92)
190190034	BB-8191	190190064	BB-8191T	BLUE	16-14	1.0-2.5	.205x.020 (5.21X0.51)	.016 (0.41)	.789 (20.04)	.43 (10.9)	.251 (6.38)	.125 (3.18)	.25 (6.4)	.115 (2.92)
190190015	AA-8190-032	190190058	AA-8190-032T	RED	22-18	0.25-1.5	.205x.032 (5.21X0.81)	.016 (0.41)	.789 (20.04)	.43 (10.9)	.251 (6.38)	.125 (3.18)	.25 (6.4)	.115 (2.92)
190190035	BB-8191-032	190190063	BB-8191-032T	BLUE	16-14	1.0-2.5	.205x.032 (5.21X0.81)	.016 (0.41)	.789 (20.04)	.43 (10.9)	.251 (6.38)	.125 (3.18)	.25 (6.4)	.115 (2.92)
190190044	M-8136-032	190190045	M-8136-032T	YELLOW	26-24	0.1-0.3	.187x.032 (4.75X0.81)	.016 (0.41)	.694 (18.03)	.31 (7.9)	.238 (6.05)	.125 (3.18)	.25 (6.4)	.072 (1.83)
190190008	AA-8137-032	190190009	AA-8137-032T	RED	22-18	0.25-1.5	.187x.032 (4.75X0.81)	.016 (0.41)	.789 (20.04)	.43 (10.9)	.238 (6.05)	.125 (3.18)	.25 (6.4)	.115 (2.92)
190190028	BB-8138-032	190190029	BB-8138-032T	BLUE	16-14	1.0-2.5	.187x.032 (4.75X0.81)	.016 (0.41)	.789 (20.04)	.43 (10.9)	.238 (6.05)	.125 (3.18)	.25 (6.4)	.138 (3.51)
190190049	P-8139-032	190190050	P-8139-032T	YELLOW	14-12	1.65-4.2	.187x.032 (4.75X0.81)	.016 (0.41)	.789 (20.04)	.43 (10.9)	.238 (6.05)	.125 (3.18)	.25 (6.4)	.170 (4.32)
190190043	M-8136	190190046	M-8136T	YELLOW	26-24	0.1-0.3	.187x.020 (4.75X0.51)	.016 (0.41)	.694 (18.03)	.31 (7.9)	.238 (6.05)	.125 (3.18)	.25 (6.4)	.072 (1.83)
190190006	AA-8137	190190011	AA-8137T	RED	22-18	0.25-1.5	.187x.020 (4.75X0.51)	.016 (0.41)	.789 (20.04)	.43 (10.9)	.238 (6.05)	.125 (3.18)	.25 (6.4)	.115 (2.92)
190190027	BB-8138	190190030	BB-8138T	BLUE	16-14	1.0-2.5	.187x.020 (4.75X0.51)	.016 (0.41)	.789 (20.04)	.43 (10.9)	.238 (6.05)	.125 (3.18)	.25 (6.4)	.138 (3.51)
190190048	P-8139	190190051	P-8139T	YELLOW	14-12	1.65-4.2	.187x.020 (4.75X0.51)	.016 (0.41)	.789 (20.04)	.43 (10.9)	.238 (6.05)	.125 (3.18)	.25 (6.4)	.170 (4.32)
190190041	M-8133	190190042	M-8133T	YELLOW	26-24	0.1-0.3	.110x.032 (2.80X0.81)	.012 (0.30)	.694 (18.03)	.31 (7.9)	.163 (4.14)	.210 (5.33)	.25 (6.4)	.072 (1.83)
190190004	AA-8134	190190005	AA-8134T	RED	22-18	0.25-1.5	.110x.032 (2.80X0.81)	.012 (0.30)	.789 (20.04)	.43 (10.9)	.163 (4.14)	.210 (5.33)	.25 (6.4)	.115 (2.92)
190190025	BB-8135	190190026	BB-8135T	BLUE	16-14	1.0-2.5	.110x.032 (2.80X0.81)	.012 (0.30)	.789 (20.04)	.43 (10.9)	.163 (4.14)	.210 (5.33)	.25 (6.4)	.138 (3.51)
190190039	M-8130	190190040	M-8130T	YELLOW	26-24	0.1-0.3	.110x.020 (2.80X0.51)	.012 (0.30)	.694 (18.03)	.31 (7.9)	.163 (4.14)	.210 (5.33)	.25 (6.4)	.072 (1.83)
190190001	AA-8131	190190003	AA-8131T	RED	22-18	0.25-1.5	.110x.020 (2.80X0.51)	.012 (0.30)	.789 (20.04)	.43 (10.9)	.163 (4.14)	.210 (5.33)	.25 (6.4)	.115 (2.92)
190190022	BB-8132	190190024	BB-8132T	BLUE	16-14	1.0-2.5	.110x.020 (2.80X0.51)	.012 (0.30)	.789 (20.04)	.43 (10.9)	.163 (4.14)	.210 (5.33)	.25 (6.4)	.138 (3.51)



PARTS ON TAPE

- NOTES:
 1. MATERIAL: BRASS
 2. FINISH: ELECTRO-TIN PLATING
 3. INSULATION: EXTRUDED NYLON
 4. MWID=MAXIMUM WIRE INSULATION DIAMETER

FIX TEXT, CORRECT "DIM" EC NO: WNA 2008-0012 2008/07/24 DRAWN: THRODAHL 2008/07/03 CHKD: MAJLIL 2008/07/03 APPR: MAJLIL 2008/07/03	QUALITY SYMBOLS ▽=0 ▽=0	GENERAL TOLERANCES (UNLESS SPECIFIED): mm INCH 4 PLACES ± --- ± --- 3 PLACES ± --- ± .005 2 PLACES ± 0.13 ± .01 1 PLACE ± 0.25 ± --- ANGULAR ± ---°		DIMENSION STYLE IN/MM	SCALE ---	DESIGN UNITS INCH	THIRD ANGLE PROJECTION
		DRAWN BY BRE 2001/07/25	DATE 2001/07/25	CHECKED BY HEB 2001/07/25	DATE 2001/07/25	QUICK DISCONNECT AVIKRIMP LOOSE PIECE & TAPE MOUNT MOLEX INCORPORATED	
DRAFT WHERE APPLICABLE MUST REMAIN WITHIN DIMENSIONS		MATERIAL NO. SEE CHART	DOCUMENT NO. SD-19019-001	SHEET NO. 1 OF 1			