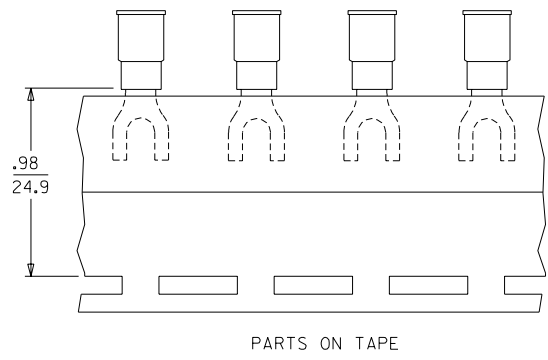
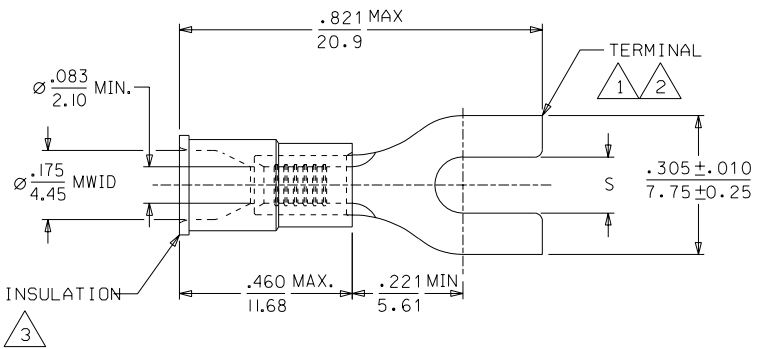




MATERIAL NUMBER	ENGINEERING NUMBER	STUD SIZE	"S" ±.005/(0.13)	PACKAGING
191420043	B-2781-04X	4	.119/(3.02)	LOOSE PIECE
191300044	B-2781-06X	6	.146/(3.71)	
191300045	B-2781-08X	8	.173/(4.39)	
191300046	B-2781-10X	10	.198/(5.03)	
191420174	B-2781-04XT	4	.119/(3.02)	TAPE MOUNTED
191300012	B-2781-06XT	6	.146/(3.71)	
191300013	B-2781-08XT	8	.173/(4.39)	
191300046	B-2781-10XT	10	.198/(5.03)	



SALES DRAWING

- NOTES:  
 1. MATERIAL: COPPER .032/.030(.81/.76) THICK.  
 2. PLATING: ELECTRO-TIN.  
 3. INSULATION: MOLDED PVC (BLUE).  
 5. MWID=MAXIMUM WIRE INSULATION DIAMETER.

NAME CHANGE EC NO. E1C2002-0070 DRAWN BY: BRE 01/09/06 CHKD: RWD 01/09/06 APPR: RWD 01/09/06	DESCRIPTION MAJOR CRITICAL	GENERAL TOLERANCES: (UNLESS SPECIFIED)		SCALE 4:1	DESIGN UNITS <input type="checkbox"/> mm <input checked="" type="checkbox"/> INCH	THIRD ANGLE PROJECTION	DIMENSIONS: <input type="checkbox"/> mm <input checked="" type="checkbox"/> INCH <input type="checkbox"/> mm ONLY	SHT	REV			
		4 PLACES ±0.1	3 PLACES ±0.1	2 PLACES ±0.1	1 PLACE ±0.1	ANGULAR ± 1/2 °	DRAWN BY & DATE BRE 01/08/15	CHECKED BY & DATE RWD 01/08/15	APPROVED BY & DATE RWD 01/08/15	CAD FILENAME SD-19130-003.DGN	MATERIAL NO. SEE CHART	DRAWING NO. SD-19130-003
AI	REV	DRAFT WHERE APPLICABLE MUST REMAIN WITHIN DIMENSIONS		THIS DRAWING CONTAINS INFORMATION THAT IS PROPRIETARY TO MOLEX INCORPORATED AND SHOULD NOT BE USED WITHOUT WRITTEN PERMISSION.						SIZE B		