

Current refinements (click to remove)

[Search Tips](#)
 [Region](#) [USA](#) [Product Family](#) [One-Hole, Straight Fixed Tongue Lug](#) [Text Search](#): 'CX125-14-QY'

Your search criteria matched only one product, shown below.


For Use with Stranded Copper Code Conductors

- Made from high strength electrolytic copper to provide premium electrical and mechanical performance
- Compact design saves space
- Wide wire range-taking capability minimizes inventory requirements
- Inspection window to visually assure full conductor insertion
- Plated steel set screw provides high strength, durable electrical contact between conductor and connector
- UL Listed and CSA Certified for use up to 600 V

Part Number:	CX125-14-QY
RoHS Compliancy Status:	Compliant
Note:	CX125-14-QY replaces CX125-14-Q
Part Description:	Copper, single barrel, one-hole, straight tongue (fixed) lug.
Product Type:	Mechanical Connectors - Lugs
CSA Certified:	Yes
UL Listed:	Yes
Height (In.):	.77
Height (mm):	19.6
Length (In.):	1.53
Length (mm):	38.9
Copper Conductor Size Range:	#4 AWG – 1/0 AWG
Stud Hole Size (In.):	1/4
Tongue Width (In.):	.62
Collar Length:	.62
Current Rating (Amps):	125
Tightening Torque (In-Lbs):	50
Tongue Length:	.84
Tongue Thickness:	.32
Tongue Width (mm):	15.7
Wire Range (mm ²):	25 – 70
Min. Order UOM:	PC
Min. Order Qty.:	1

BOM Qty. (# of Pkgs.)

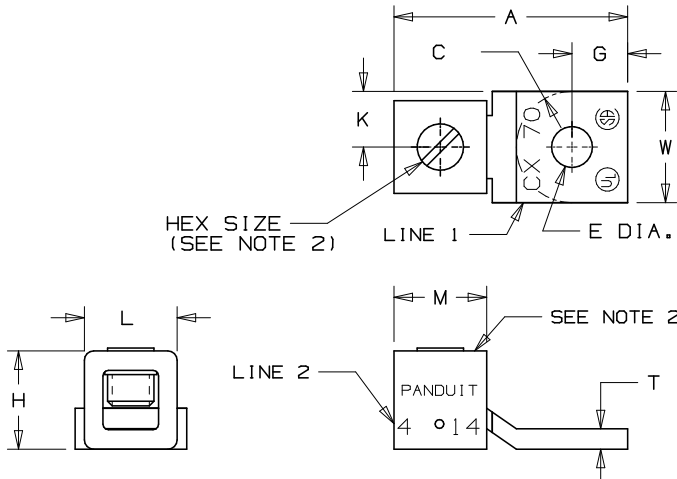
[Add to My Catalog](#)

 Please [register](#) to utilize the 'Bill of Materials', 'Submit Quotes' and 'My Catalog' features.

THIS COPY IS PROVIDED ON A RESTRICTED BASIS AND IS NOT TO BE USED IN ANY WAY DETRIMENTAL TO THE INTERESTS OF PANDUIT CORP.

NOTES:

- UL LISTED AND CSA CERTIFIED FOR:
A. 600V MAX. VOLTAGE RATING.
B. AMPERAGE LISTED IN TABLE.
- SLOTTED HEAD SCREW USED IF HEX SIZE IS NOT GIVEN.
- PACKAGE QTY. -Q=25
-C=100
- ADDITIONAL MULTIPLE WIRE COMBINATIONS FOR CX70-14-C ARE:
A. TWO-#14'S
B. TWO-#12'S
- PANDUIT PART NUMBERS WITH A "T" ARE TIN PLATED.
- THESE PARTS ARE ROHS COMPLIANT.



PANDUIT PART NUMBR	DIMENSIONS ± .02									MAX. AMERAGE RATING	MARKINGS		HEX SIZE	C (MAX)
	G	W	K	A	M	T	H	L	E		LINE 1	LINE 2		
CX35-36-CY	.22	.38	.19	1.02	.38	.07	.48	.35	.20	35	CX-35	6-14	SCREW	.22
CX35-36T-CY	.22	.38	.19	1.02	.38	.07	.48	.35	.20	35	CX-35	6-14	SCREW	.22
CX70-14-CY	.31	.50	.25	1.27	.50	.08	.57	.46	.27	70	CX-70	4-14	SCREW	.28
CX70-14T-CY	.31	.50	.25	1.27	.50	.08	.57	.46	.27	70	CX-70	4-14	SCREW	.28
CX125-14-QY	.43	.62	.31	1.53	.62	.13	.77	.57	.27	125	CX-125	1/0-4	SCREW	.41
CX125-56T-QY	.43	.62	.31	1.53	.62	.13	.77	.57	.34	125	CX-125	1/0-4	SCREW	.41
CX225-56-QY	.56	1.00	.50	2.19	1.00	.13	1.13	.85	.34	225	CX-225	4/0-2	9/16	.50
CX225-56T-QY	.56	1.00	.50	2.19	1.00	.13	1.13	.85	.34	225	CX-225	4/0-2	9/16	.50
CX225-38T-QY	.56	1.00	.50	2.19	1.00	.13	1.13	.85	.38	225	CX-225	4/0-2	9/16	.50
CX400-38-3Y	.88	1.50	.75	3.16	1.38	.19	1.65	1.13	.44	400	CX-400	500kcmil-4/0	3/4	.81
*CX400-12T-3Y	.88	1.50	.75	3.16	1.38	.19	1.65	1.13	.50	400	CX-400	500kcmil-4/0	3/4	.81

* PART IS NOT UL OR CSA CERTIFIED

C41664_00



TINLEY PARK, ILLINOIS

"CX" SERIES COPPER MECHANICAL LUGS

00	3/06	JHNU	LEM	DRAWING RELEASED - ROHS COMPLIANT	PC00348						DRAWN BY JHNU	CHK'D	SCALE NONE	DRAWING NO. C41664
REV	DATE	BY	CHK	DESCRIPTION	ECN #	CUST	PM							