

Switch Language

English

Need Assistance?

Contact Us
Find a Distributor
Order Samples
Tech Library

Printer-friendly page

Email this page

[Home](#) [Quick Disconnects](#) [Datasheet](#)

Part Number: 0190160111

Status: Active

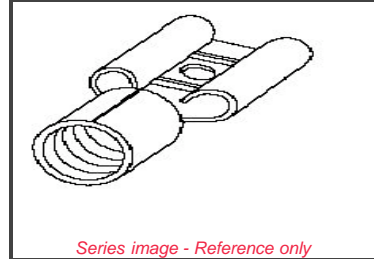
Description: Krimptite™ Quick Disconnect, Female, for 14-16 (2.00-1.30) Wire, Box, Tab 6.35mm (.250") x 0.81mm (.032")

Documents:

Note - Please disable browser pop-up blockers for documents on www.molex.com

[Drawing \(PDF\)](#)

[Related Catalog Page \(PDF\)](#)



Series image - Reference only

Order Products:

[Check Distributor Inventory](#)

[Add to My Parts](#)

[Request Samples](#)

Part Detail: [\(show all\)](#)

[General](#) [Physical](#) [Electrical](#) [Material Info](#)

General

Product Family	Quick Disconnects
Series	19016
Comments	Butted Seam
Product Name	Krimptite™
Type	Quick Disconnect

Physical

Barrel Type	Closed
Gender	Female
Insulation	None
Lock to Mating Part	None
Material - Metal	Brass
Orientation	Straight
Packaging Type	Bag
Polarized to Mating Part	No
Tab Thickness	0.81mm (.032")
Tab Width	6.35mm (.250")
Temperature Range - Operating	Per Wire Specification
Wire Size AWG	14
Wire Size AWG	16
Wire Size mm ²	1.30 - 2.00

Electrical

CSA	LR18689
UL	E79133
Voltage - Maximum	PER WIRE SPECIFICATION

Material Info

Old Part Number	BB-1141
-----------------	---------

Reference - Drawing Numbers

Sales Drawing	SD-19016-003
---------------	--------------

EU RoHS

ELV and RoHS Compliant



China RoHS

Need more information on product compliance?

Email productcompliance@molex.com

Please visit the [Contact Us](#) section for any non-product compliance questions.

Search Parts in this Series

[19016 Series](#)

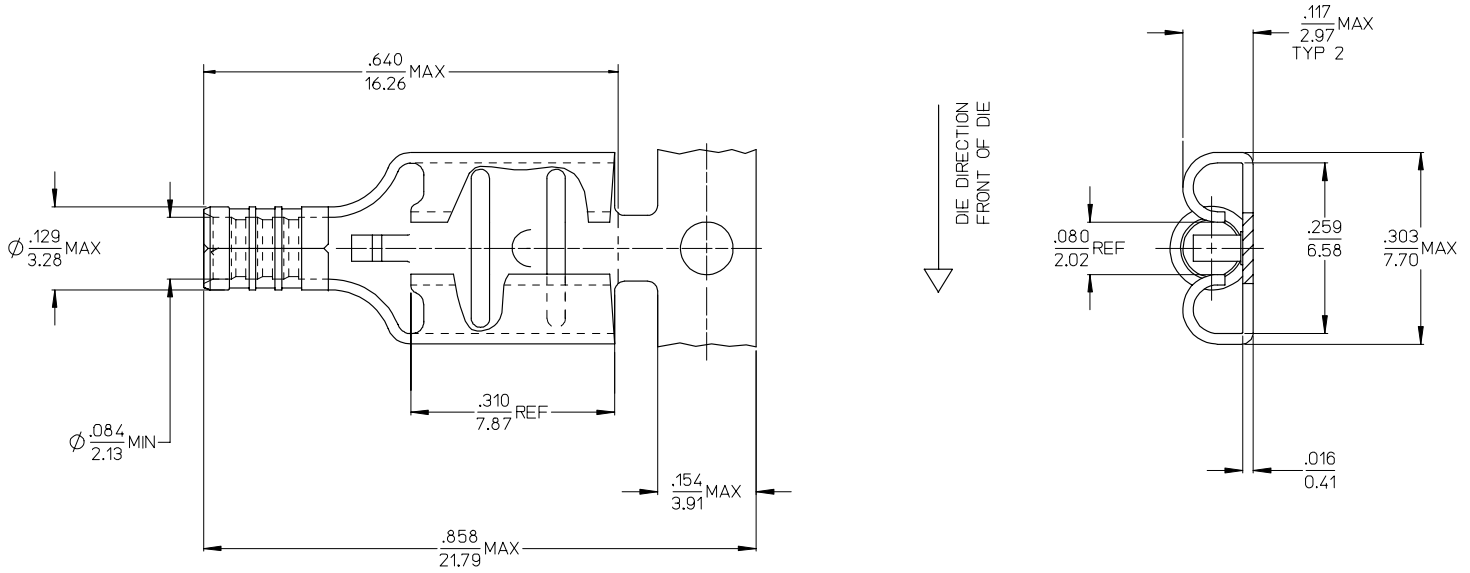
Application Tooling

Tooling specifications and manuals are found by selecting the products below. Crimp Height Specifications are then contained in the Application Tooling Specification document.

Global

Description	Product #
Hand Crimp Tool	0640031200
Crimp Head for the AT-200™ Pneumatic Hand Tool	0640071200

MATERIAL NUMBER	ENGINEERING NUMBER	CARRIER	FINISH
190160111	BB-1141	LOOSE	TIN PLATING
190160063	BBZ-1141	STRIP	TIN PLATING
190160126	BB-1141-N	LOOSE	NICKEL PLATING



- NOTES:
1. ENTIRE PART TO BE FREE OF BURRS AND SHARP EDGES
 2. LOOSE PIECE PARTS TO HAVE CUT-OFF TAB .005-.020
 3. MATERIAL: 3/4 HARD BRASS

REV	DESCRIPTION	QUALITY SYMBOLS	GENERAL TOLERANCES (UNLESS SPECIFIED)		DIMENSION STYLE	SCALE	DESIGN UNITS	THIRD ANGLE PROJECTION
			mm	INCH	IN/MM	4:1	INCH	☉
RELEASED	EC NO: EITC2006-0143	▽=0	4 PLACES	± --- ± ---	DRAWN BY	JLOMASTRO	DATE	05/12/07
DRWNSAYDEH	2005/12/12	▽=0	3 PLACES	± --- ± .010	CHECKED BY	RDEROSS	DATE	05/12/07
CHKDRROSS	2005/12/13		2 PLACES	± 0.25 ± .02	APPROVED BY	RDEROSS	DATE	05/12/07
APPRDRROSS	2005/12/14		1 PLACE	± 0.3 ± ---	ANGULAR ±1/2°		MATERIAL NO. SEE CHART	
DRAFT WHERE APPLICABLE MUST REMAIN WITHIN DIMENSIONS			MATERIAL NO. SEE CHART		DOCUMENT NO. SD-19016-003		TITLE QUICK CONNECT RECEPTACLE FOR 16-14 AWG .250X.032 TAB SIZE	
MOLEX INCORPORATED							STEEL NO. 1 OF 1	
THIS DRAWING CONTAINS INFORMATION THAT IS PROPRIETARY TO MOLEX INCORPORATED AND SHOULD NOT BE USED WITHOUT WRITTEN PERMISSION								

lb_frame_B_P_ME_T
Rev. D 2004/04/02