

Current refinements (click to remove)

[Search Tips](#)
 [Region](#) **USA** [Product Family](#) **Ring Terminal, Nylon Insulated** [Text Search](#): 'PN14-10R-M'

Your search criteria matched only one product, shown below.
Related Products
[Hand Operated Plier Type Tools](#)
[Contour Crimp™ Control...](#)
[Pneumatic Crimping Tool](#)


- Ring tongue design assures a secure connection in high vibration applications
- Metal insulation grip sleeve crimps to wire insulation, providing protection to the crimp joint during high vibration applications
- Internal barrel serrations assure good wire contact and maximum tensile strength
- UL Flammability UL 94V-2/HB, maximum insulation temperature 221°F (105°C)
- UL and CSA rated up to 600 V per UL 486

‡UL and CSA approved tooling/product combinations.

Note: Wire sizes #26 – #22 AWG, are not UL Listed or CSA Certified.

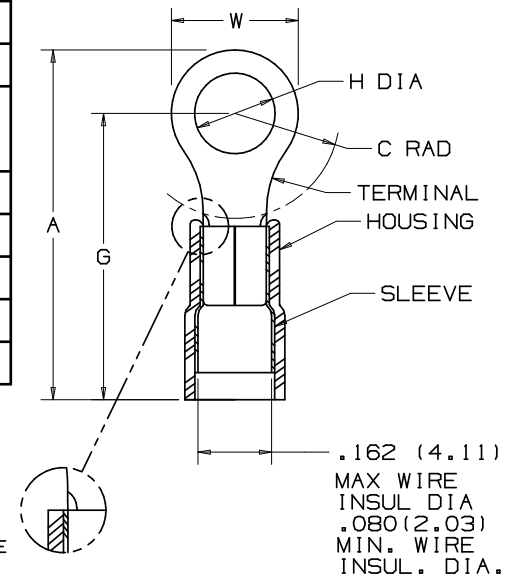
Part Number:	PN14-10R-M
RoHS Compliancy Status:	Compliant
Part Description:	Ring Terminal 18 – 14 AWG, #10 stud size, nylon insulated.
Product Type:	Terminals
CSA Certified:	Yes
Mil. Std. Part Number:	MS25036-108 (Class 1 & 2)
UL Listed:	Yes
Length (In.):	.85
Length (mm):	21.6
Width (In.):	.31
Width (mm):	7.87
Angle:	straight
Clearance:	.25
Max. Ins.:	.162
Panduit Color Code:	Blue
Stock:	.03
Stud Size:	#10
Tool:	CT-100A‡, CT-600-A‡, CT-1550‡, CT-1551‡, CT-2500‡
Wire Range:	18 – 14 AWG
Wire Range (mm²):	4.0 - 6.0
Min. Order UOM:	PC
Min. Order Qty.:	1000
BOM Qty. (# of Pkgs.)	

[Add to My Catalog](#)

 Please [register](#) to utilize the 'Bill of Materials', 'Submit Quotes' and 'My Catalog' features.

THIS COPY IS PROVIDED ON A RESTRICTED BASIS AND IS NOT TO BE USED IN ANY WAY DETRIMENTAL TO THE INTERESTS OF PANDUIT CORP.

PANDUIT PART NUMBER	PK	MILITARY PART NO. AND CLASS	STUD SIZE	DIMENSIONS in.				
				A ±.03	W ±.01	C ±.02	G ±.03	H ±.01
PN14-4R	-C -M	MS25036-152 CLASS 1 & 2	#4	.78 (19.8)	.25 (6.4)	.20 (5.1)	.66 (16.8)	.12 (3.1)
PN14-6R	-C -M	MS25036-107 CLASS 1 & 2	#6	.85 (21.6)	.31 (7.9)	.25 (6.4)	.71 (18.0)	.15 (3.8)
PN14-6RN	-C -M	MS25036-108 CLASS 1 & 2	#6	.76 (19.3)	.25 (6.4)	.20 (5.1)	.63 (16.0)	.15 (3.8)
PN14-8R	-C -M	MS25036-153 CLASS 1 & 2	#8	.85 (21.6)	.31 (7.9)	.25 (6.4)	.68 (17.3)	.17 (4.3)
PN14-10R	-C -M	MS25036-108 CLASS 1 & 2	#10	.85 (21.6)	.31 (7.9)	.25 (6.4)	.68 (17.3)	.20 (5.1)
PN14-14R	-C -M	MS25036-154 CLASS 1 & 2	1/4"	1.05 (26.7)	.46 (11.7)	.38 (9.7)	.82 (20.8)	.27 (6.9)
PN14-56R	-C -M	MS25036-109 CLASS 1 & 2	5/16"	1.05 (26.7)	.46 (11.7)	.38 (9.7)	.82 (20.8)	.34 (8.6)
PN14-38R	-L -M	MS25036-110 CLASS 1 & 2	3/8"	1.14 (29.0)	.53 (13.5)	.43 (10.9)	.86 (21.8)	.40 (10.2)
PN14-12R	-L	-----	1/2"	1.35 (34.3)	.72 (18.3)	.53 (13.5)	.99 (25.1)	.52 (13.2)



NOTES:

- 1) UL LISTED AND CSA CERTIFIED FOR:
 - A. 600V. MAX. BLDG. WIRE (1000V. MAX. IN SIGNS, FIXTURES & LUMINARIES)
 - B. 221°F. (105°C) MAX. TEMP. RATING
 - C. #18-14 AWG SOLID OR STRANDED COPPER WIRE WITH THE CT-550, CT-1550, CT-1551, CT-460 (UL ONLY, AND MIL CLASS 2), CT-400 (UL ONLY, MIL CLASS 2) INSTALLATION TOOLS
 - D. #16-14 AWG SOLID OR STRANDED COPPER WIRE WITH THE CT-100 INSTALLATION TOOL
- 2) MATERIAL:
 - A. STAMPING- .03" (.8) THK. COPPER, TIN PLATED
 - B. HOUSING- NYLON, BLUE
 - C. SLEEVE- BRASS, TIN PLATED
- 3) WIRE STRIP LENGTH- 7/32" +1/32, -0 (5.6, +.8, -0)
- 4) PACKAGE QUANTITY: -L = 50, -D = 500, -M = 1000
- 5) DIMENSIONS IN PARENTHESIS ARE IN MILLIMETERS

Panduit part numbers shown on this drawing meet the material requirements of RoHS (EUROPEAN DIRECTIVES 2002/95/EC) as proposed by the Technical Adaptation Committee



A41185_10

10	2/07	BCT	BCT	ADDED ALTERNATE SLEEVE / HOUSING DESIGN	TR00214	LCA	TRO	<p>TINLEY PARK, ILLINOIS</p> <p>3PC. NYLON INSULATED, 16-14 BARREL, RINGS</p>
09	8/06	DAW	DAW	ADDED MILITARY PART NO. & CLASS	TR00155	LCA	TRO	
08	5/05	JHNU	SKB	REVISED NOTE 1 PER PRODUCT MANAGEMENT REQUEST.	12723	SKB	TRO	
07	12/02	SAC	SKB	FOR PN14-12R DIM A WAS 1.34 & DIM G WAS .98 & CHANGED ALL METRIC DIMS TO ONE PLACE	10504	LA	TRO	
REV	DATE	BY	CHK	DESCRIPTION	ECN #	CUST	PM	DRAWN BY: FES CHK'D: RLS SCALE: NONE DRAWING NO.: A41185