



Series image - Reference only

EU RoHS	China RoHS
ELV and RoHS Compliant	

### Search Parts in this Series

19164 Series

### Application Tooling

#### Global

#### Description

Hand Crimp Tool, UL Approved

#### Product #

0640017400

**Part Number:** **0191640033**

**Status:** **Active**

**Description:** Perma-Seal™ Ring Tongue Terminal for 14-16 AWG Wire, Stud Size 8

#### Documents:

- [Drawing \(PDF\)](#)
- [Product Literature \(PDF\)](#)
- [Related Catalog Page \(PDF\)](#)

#### Order Products:

- [Check Distributor Inventory](#)
- [Request Samples](#)

**Part Detail: (show all)**○ **General**○ **Physical**○ **Electrical**○ **Material Info****General**

Product Family	Ring and Spade Terminals
Series	19164
Material - Plating Mating	Tin
Mil-Spec	N/A
Product Name	Perma-Seal™
Type	Ring

**Physical**

Barrel Type	Closed
Flammability	94 V2
Insulation	NiAc(TM)
Material - Metal	Copper
Packaging Type	Box
Stud Size	8 (M4)
Wire Insulation Diameter	5.97mm (.235")
Wire Size AWG	14
Wire Size AWG	16
Wire Size mm <sup>2</sup>	1.23 - 1.94

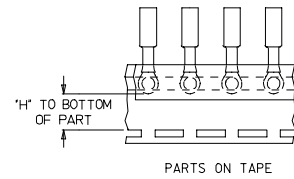
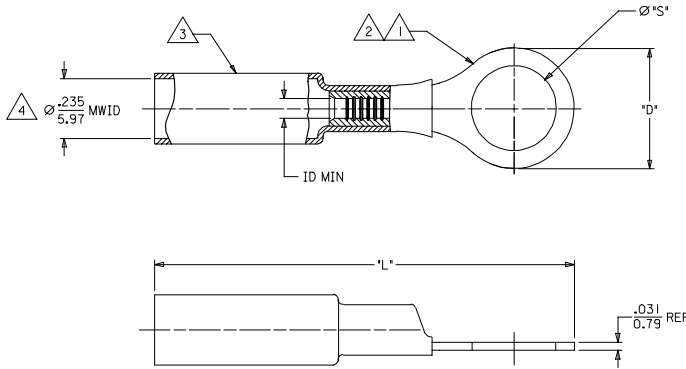
**Electrical**

CSA	LR18689
UL	E32244

**Material Info**

Old Part Number	SB-237-08
-----------------	-----------

MATERIAL NUMBER	ENGINEERING NUMBER	MATERIAL NUMBER ON TAPE	ENGINEERING NUMBER ON TAPE	STUD SIZE	"S" ±.005/0.03	"D" MAX	"H" ±.010/0.25	"L" MAX	ID MIN
I91640031	SB-237-04	I91640941	SB-237-04T	#4	.119/3.02	.320/8.17	.527/13.39	1.45/36.8	.082/2.08
I91640032	SB-237-06	I91640310	SB-237-06T	#6	.146/3.71	.320/8.17	.527/13.39	1.45/36.8	.082/2.08
I91640033	SB-237-08	I91640311	SB-237-08T	#8	.173/4.39	.320/8.17	.527/13.39	1.45/36.8	.082/2.08
I91640034	SB-237-10	I91640312	SB-237-10T	#10	.198/5.03	.320/8.17	.527/13.39	1.45/36.8	.082/2.08
I91640025	SB-225-10	I91640940	SB-225-10T	#10	.198/5.03	.475/12.07	.338/8.59	1.63/41.4	.153/3.89
I91640026	SB-225-14	I91640308	SB-225-14T	1/4	.265/6.73	.475/12.07	.338/8.59	1.63/41.4	.153/3.89
I91640027	SB-225-56	I91640309	SB-225-56T	5/16	.328/8.33	.475/12.07	.338/8.59	1.63/41.4	.153/3.89
I91640020	SB-218-38	I91640307	SB-218-38T	3/8	.390/9.91	.475/12.07	.340/8.64	1.63/41.4	.153/3.89



NOTE:

- 1. TERMINAL MATERIAL: COPPER ALLOY
- 2. FINISH: ELECTRO TIN PLATE.
- 3. INSULATION MATERIAL: HEAT SHRINKABLE TUBING WITH HOTMELT ADHESIVE INNER LINER. COLOR: BLUE
- 4. MWD = MAXIMUM WIRE INSULATION DIAMETER.

SALES DRAWING

REVISED TITLE BLOCK EC NO: ETC2006-0017 DRAWN: SHARCK 2005/07/25 CHECKED: ROERROSS 2005/07/26 APPROVED: ROERROSS 2005/07/27	QUALITY SYMBOLS ▽=0 ▽=0	GENERAL TOLERANCES (UNLESS SPECIFIED)	DIMENSION STYLE IN/MM	SCALE ---	DESIGN UNITS INCH	THIRD ANGLE PROJECTION
	4 PLACES ±--- ±---	mm	INCH	DRAWN BY BENDERLE	DATE 2002/08/26	TITLE RING TONGUE TERMINAL PERMA-SEAL NIAC 16-14 AWG
	3 PLACES ±--- ±---	2 PLACES ±--- ±---	1 PLACE ±--- ±---	CHECKED BY HBEITZEL	DATE 2002/08/26	MATERIAL NO. SD-19164-026
	ANGULAR ±---°	DRAFT WHERE APPLICABLE MUST REMAIN WITHIN DIMENSIONS		APPROVED BY ROERROSS	DATE 2002/08/26	DOCUMENT NO. SD-19164-026

THIS DRAWING CONTAINS INFORMATION THAT IS PROPRIETARY TO MOLEX INCORPORATED AND SHOULD NOT BE USED WITHOUT WRITTEN PERMISSION