

**Switch Language**

English

**Need Assistance?**

[Contact Us](#)  
[Find a Distributor](#)  
[Order Samples](#)  
[Tech Library](#)

[Printer-friendly page](#)

[Email this page](#)

[Home](#)   [Quick Disconnects](#)   [Datasheet](#)

**Part Number:** 0190220004

**Status:** Active

**Description:** Krimptite™ Quick Disconnect, Male, for 18-22 (0.80-0.35) Wire, Box, Tab 6.35mm (.250") x 0.81mm (.032")

**Documents:**

*Note - Please disable browser pop-up blockers for documents on www.molex.com*  
[Drawing \(PDF\)](#)   [Related Catalog Page \(PDF\)](#)

**Order Products:**

[Check Distributor Inventory](#)   [Add to My Parts](#)  
[Request Samples](#)

**Part Detail:** [\(show all\)](#)

[General](#)   [Physical](#)   [Electrical](#)   [Material Info](#)

**General**

Product Family	Quick Disconnects
Series	<u>19022</u>
Comments	Economical
Product Name	Krimptite™
Type	Quick Disconnect

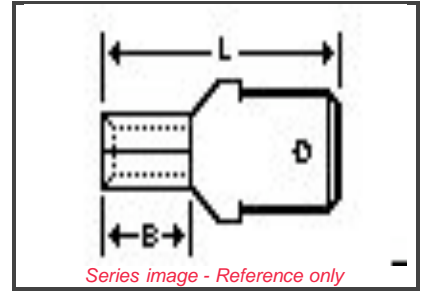
**Physical**

Barrel Type	Closed
Gender	Male
Insulation	None
Lock to Mating Part	None
Material - Metal	Copper
Material - Plating Mating	Gold
Material - Plating Termination	90/10 Tin Lead
Material - Plating Termination	90/10 Tin-Lead
Orientation	Straight
Packaging Type	Bag
Plating min: Mating (uin)	30
Plating min: Mating (um)	0.75
Plating min: Termination (uin)	160
Plating min: Termination (um)	4
Polarized to Mating Part	No
Tab Thickness	0.81mm (.032")
Tab Width	6.35mm (.250")
Temperature Range - Operating	Per Wire Specification
Wire Size AWG	18
Wire Size AWG	20
Wire Size AWG	22
Wire Size mm <sup>2</sup>	0.35 - 0.80

**Electrical**

CSA	LR18689
UL	E79133
Voltage - Maximum	PER WIRE SPECIFICATION

**Material Info**



**EU RoHS**

**ELV and RoHS Compliant**

**China RoHS**



**Need more information on product compliance?**

Email [productcompliance@molex.com](mailto:productcompliance@molex.com)

Please visit the [Contact Us](#) section for any non-product compliance questions.

**Search Parts in this Series**

19022 Series

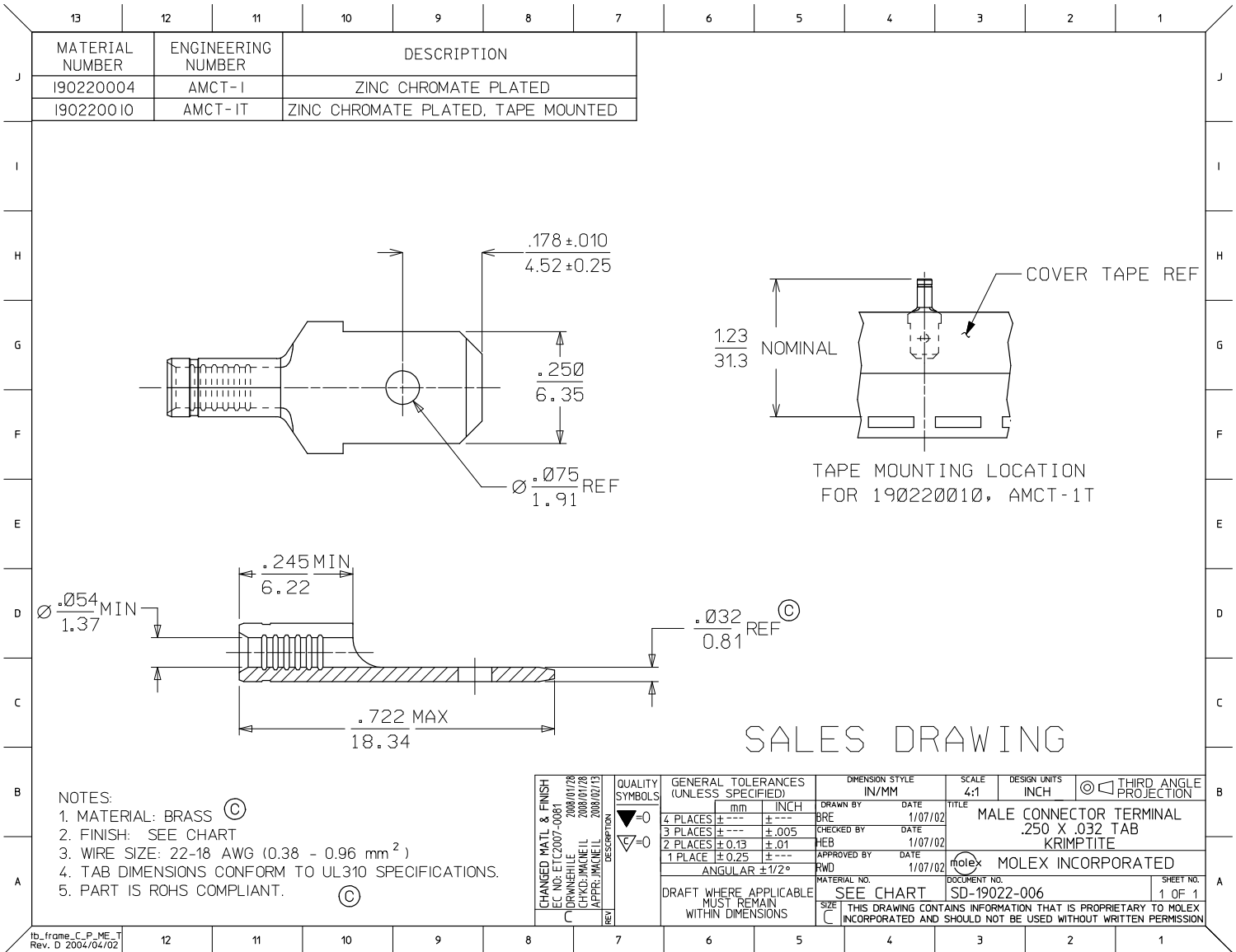
**Application Tooling**

*Tooling specifications and manuals are found by selecting the products below. Crimp Height Specifications are then contained in the Application Tooling Specification document.*

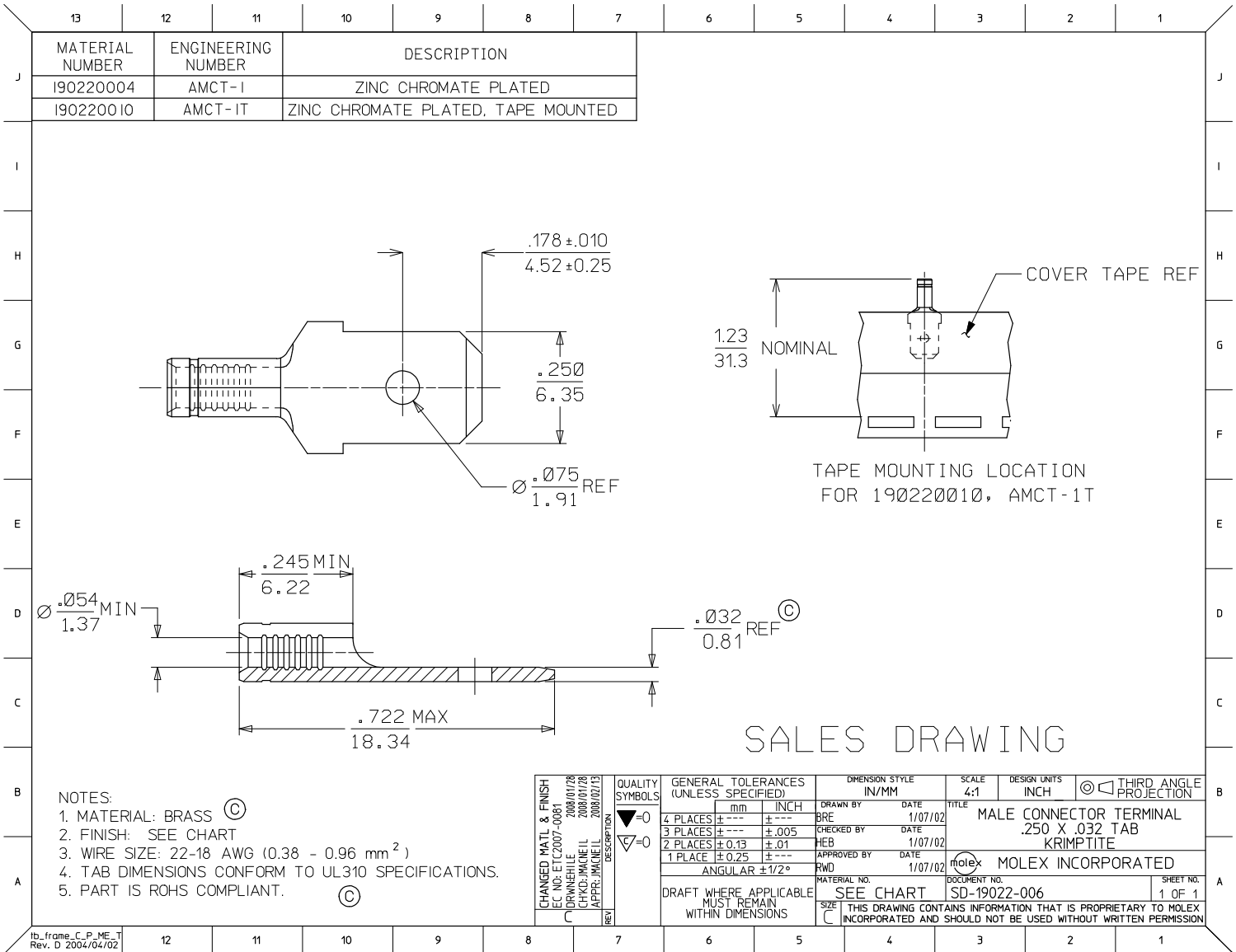
**Global**

Description	Product #
Hand Crimp Tool	<a href="#">0640030100</a>
Hand Crimp Tool	<a href="#">0640031200</a>
Crimp Head for the AT-200™ Pneumatic Hand Tool	<a href="#">0640070100</a>
Crimp Head for the AT-200™ Pneumatic Hand Tool	<a href="#">0640071200</a>

Old Part Number	AMCT-1
<b>Reference - Drawing Numbers</b>	
Sales Drawing	SD-19022-006



lb\_frame\_C\_P\_ME\_T  
Rev. D 2004/04/02



lb\_frame\_C\_P\_ME\_T  
Rev. D 2004/04/02