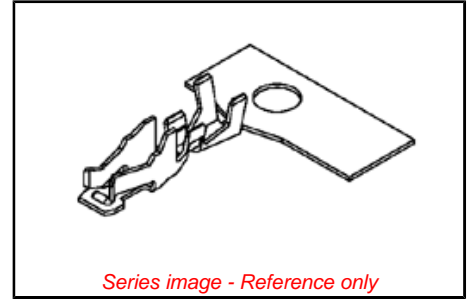


Part Number: [0503948100](#)
Status: **Active**
Overview: [Milli-Grid™](#)
Description: Milli-Grid™ Crimp Terminal, Bag, 0.38µm (15µ") Select Gold, Lead free



General

| | |
|----------------|-----------------------------|
| Product Family | Crimp Terminals |
| Series | 50394 |
| Overview | Milli-Grid™ |
| Product Name | Milli-Grid™ |

Physical

| | |
|--------------------------------|----------------------|
| Gender | Female |
| Material - Metal | Phosphor Bronze |
| Material - Plating Mating | Gold |
| Material - Plating Termination | Nickel |
| Packaging Type | Bag |
| Plating min: Mating (µin) | 15.2 |
| Plating min: Mating (µm) | 0.38 |
| Plating min: Termination (µin) | 80 |
| Plating min: Termination (µm) | 2 |
| Termination Interface: Style | Crimp or Compression |
| Wire Insulation Diameter | 1.40mm (.055") max. |
| Wire Size AWG | 24 |
| Wire Size AWG | 26 |
| Wire Size AWG | 28 |
| Wire Size AWG | 30 |
| Wire Size mm² | N/A |

Material Info

EU RoHS
ELV and RoHS
Compliant

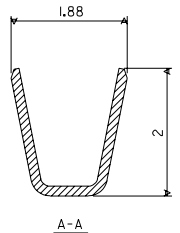
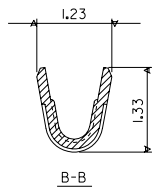
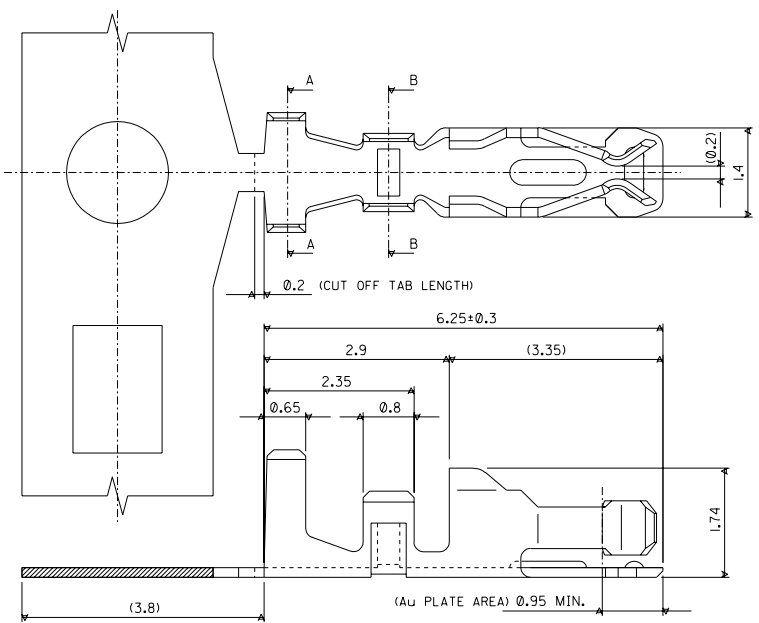
China RoHS



DWG. NO. SD 50394-8051
 CAD FILE S50394T.LDGN

DO NOT SCALE DRAWING

8 7 6 5 4 3 2 1



NOTES.

- 1. APPLICABLE HOUSING : 51110-***1
 : 51110-***5

| | | |
|-------------------------------|------------|------------|
| GOLD FLASH 0.05-0.125 μM | 50394-8400 | 50394-8054 |
| 0.38 Pd/Ni w/ GOLD FLASH | 50394-8300 | 50394-8053 |
| 0.76 | 50394-8200 | 50394-8052 |
| 0.38 | 50394-8100 | 50394-8051 |
| Au. PLATE THICK. (μm MIN.) | FORM:LOOSE | FORM:CHAIN |
| ENG.No. | | |

| | | | | | | |
|---------------------------|------------------------------------------------------------------------------|--------|------|----------|----------------------------------------------|------------------------------------------------------|
| B | VOID PART NO. PER ECN S2004-0719 | --- | ANG | 040223 | MATERIAL : PHOSPHOR BRONZE (THK=0.152) | MOLEX SINGAPORE PTE LTD SHEET 1 OF 1 |
| A2 | ADD GOLD FLASH AS PER ECN*S2003-0030 | --- | NASH | 02/07/12 | | |
| A1 | ADD 0.38 Pd/Ni WITH GOLD FLASH AS PER PDR*98-01- 0267 (ECN*S1998-0364) | --- | SEL | 980312 | FINISH : SEE NOTES | GENERAL TOLERANCES : 0.20/.008 REV B |
| A | REL AS PER ECN* | S40519 | SO | 940420 | DRAWN BY S.O. 940420 | DWG. NO. : SD150394-8*** |
| LTR | REVISION RECORD | ECN | DR | 940428 | CHK'D BY EDPOH 940427 | TITLE : 2.0mm GRID W TO B CONN. CRIMP TERMINAL |
| REVISE ONLY ON CAD SYSTEM | | | | | APPR'D BY ROY 940428 | SCALE 15:1 |

THIS DRAWING CONTAINS INFORMATION THAT IS PROPRIETARY TO MOLEX (S) PTE LTD AND SHOULD NOT BE USED WITHOUT WRITTEN PERMISSION